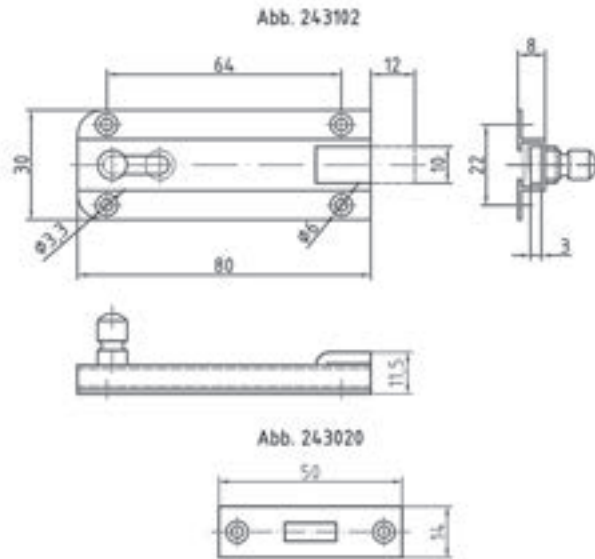


BOLTS - BOLTS CRANKED SIMILAR TO DIN 81412 C

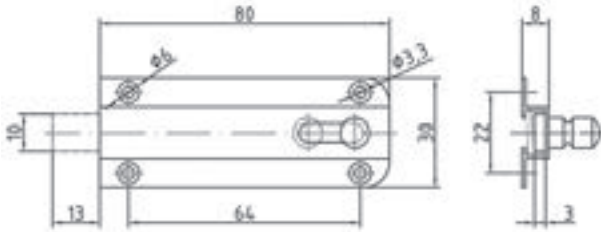
• Material: Brass Ms 58



Art.code	Surface	Article description	Unit	Weight
243102.4	Bp	Cabinet bolt cranked 80 mm DIN 81412 Form C	pc.	0,050
243102.6	Bpc	Cabinet bolt cranked 80 mm DIN 81412 Form C	pc.	0,050
243102.9	Bmc	Cabinet bolt cranked 80 mm DIN 81412 Form C	pc.	0,050
243103.4	Bp	Cabinet bolt cranked 60 mm DIN 81412 Form C	pc.	0,045
243103.6	Bpc	Cabinet bolt cranked 60 mm DIN 81412 Form C	pc.	0,045
243103.9	Bmc	Cabinet bolt cranked 60 mm DIN 81412 Form C	pc.	0,045
243104.4	Bp	Cabinet bolt cranked 50 mm DIN 81412 Form C	pc.	0,040
243104.6	Bpc	Cabinet bolt cranked 50 mm DIN 81412 Form C	pc.	0,040
243104.9	Bmc	Cabinet bolt cranked 50 mm DIN 81412 Form C	pc.	0,040
243010.4	Bp	Striking loop for cabinet bolt DIN 81412 Form B	pc.	0,006
243010.6	Bpc	Striking loop for cabinet bolt DIN 81412 Form B	pc.	0,006
243010.9	Bmc	Striking loop for cabinet bolt DIN 81412 Form B	pc.	0,006
243020.4	Bp	Striking plate for cabinet bolt DIN 81412 Form D	pc.	0,006
243020.6	Bpc	Striking plate for cabinet bolt DIN 81412 Form D	pc.	0,006
243020.9	Bmc	Striking plate for cabinet bolt DIN 81412 Form D	pc.	0,006

BOLTS - FLAT BOLTS STRAIGHT SIMILAR TO DIN 81412 A

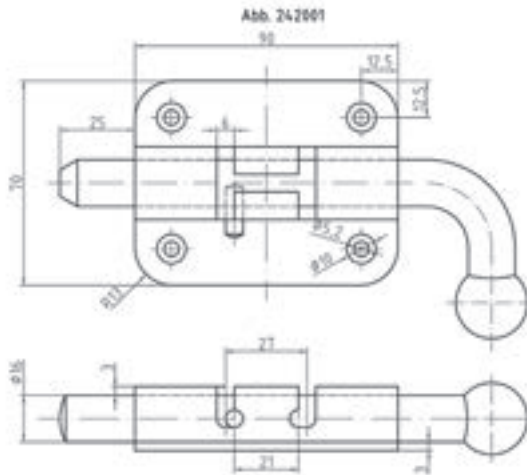
• Material: Brass Ms 58



Art.code	Surface	Article description	Unit	Weight
243002.4	Bp	Flat bolt 80 mm DIN 81412 Form A	pc.	0,054
243002.6	Bpc	Flat bolt 80 mm DIN 81412 Form A	pc.	0,054
243002.9	Bmc	Flat bolt 80 mm DIN 81412 Form A	pc.	0,054
243003.4	Bp	Flat bolt 60 mm DIN 81412 Form A	pc.	0,045
243003.6	Bpc	Flat bolt 60 mm DIN 81412 Form A	pc.	0,045
243003.9	Bmc	Flat bolt 60 mm DIN 81412 Form A	pc.	0,045
243004.4	Bp	Flat bolt 50 mm DIN 81412 Form A	pc.	0,040
243004.6	Bpc	Flat bolt 50 mm DIN 81412 Form A	pc.	0,040
243004.9	Bmc	Flat bolt 50 mm DIN 81412 Form A	pc.	0,040
243010.4	Bp	Striking loop for cabinet bolt DIN 81412 Form B	pc.	0,006
243010.6	Bpc	Striking loop for cabinet bolt DIN 81412 Form B	pc.	0,006
243010.9	Bmc	Striking loop for cabinet bolt DIN 81412 Form B	pc.	0,006
243020.4	Bp	Striking plate for cabinet bolt DIN 81412 Form D	pc.	0,006
243020.6	Bpc	Striking plate for cabinet bolt DIN 81412 Form D	pc.	0,006
243020.9	Bmc	Striking plate for cabinet bolt DIN 81412 Form D	pc.	0,006

BOLTS - PIN BOLTS HEAVY VERSION

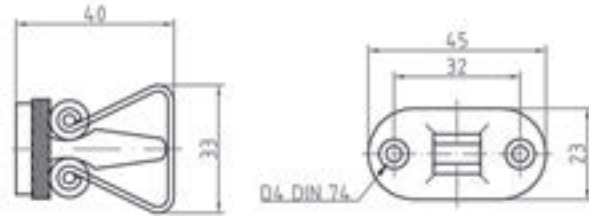
- Material: Brass Ms 63 or steel and zinc plated
- Loop eye to be ordered separately
- Striking plate for pin bolt on request



Art.code	Surface	Article description	Unit	Weight
242001.0	Stz	Pin bolt 90x70 mm, 16 mm bolt, without loop eye	pc.	0,535
242001.4	Bp	Pin bolt 90x70 mm, 16 mm bolt, without loop eye	pc.	0,550
242001.6	Bpc	Pin bolt 90x70 mm, 16 mm bolt, without loop eye	pc.	0,550
242002.0	Stz	Pin bolt 60x50 mm, 10 mm bolt, without loop eye	pc.	0,150
242002.4	Bp	Pin bolt 60x50 mm, 10 mm bolt, without loop eye	pc.	0,150
242002.6	Bpc	Pin bolt 60x50 mm, 10 mm bolt, without loop eye	pc.	0,150
242002.9	Bmc	Pin bolt 60x50 mm, 10 mm bolt, without loop eye	pc.	0,150
242051.0	Stz	Loop eye for pin bolt 90x70 mm, for 16 mm bolt	pc.	0,030
242051.4	Bp	Loop eye for pin bolt 90x70 mm, for 16 mm bolt	pc.	0,045
242051.6	Bpc	Loop eye for pin bolt 90x70 mm, for 16 mm bolt	pc.	0,045
242052.0	Stz	Loop eye for pin bolt 60x50 mm, for 10 mm bolt	pc.	0,010
242052.4	Bp	Loop eye for pin bolt 60x50 mm, for 10 mm bolt	pc.	0,018
242052.6	Bpc	Loop eye for pin bolt 60x50 mm, for 10 mm bolt	pc.	0,018
242052.9	Bmc	Loop eye for pin bolt 60x50 mm, for 10 mm bolt	pc.	0,018

DOOR STOPPERS DIN 81409 A - DOOR STOPPERS 40 MM WITH SPRING CLIP

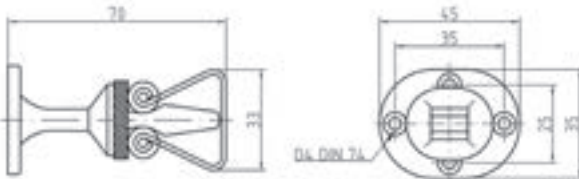
- Material: Ms 63 oder Edelstahl
- ohne Gummianschlagpuffer, Art.-Nr.: 253302
- Komplett mit Federklemme



Art.code	Surface	Article description	Unit	Weight
253301.4	Bp	Spring-type door holder 40 mm	pc.	0,100
253301.6	Bpc	Spring-type door holder 40 mm	pc.	0,100
253301.9	Bmc	Spring-type door holder 40 mm	pc.	0,100
253199.4	Bp	Single spring clip for door holder group 2531, 2532 and 2533	pc.	0,025
253199.6	Bpc	Single spring clip for door holder group 2531, 2532 and 2533	pc.	0,025
253199.9	Bmc	Single spring clip for door holder group 2531, 2532 and 2533	pc.	0,025
N-253301.4	S/S polished	Spring-type door holder 40 mm	pc.	0,120
N-253301.9	S/S matt	Spring-type door holder 40 mm	pc.	0,120

DOOR STOPPERS DIN 81409 B - DOOR STOPPERS 70 MM WITH SPRING CLIP

- Material: Ms 63 oder Edelstahl
- Ebenfalls lieferbar mit 2-Loch Befestigung, Art.-Nr. 253201
- Komplett mit Federklemme



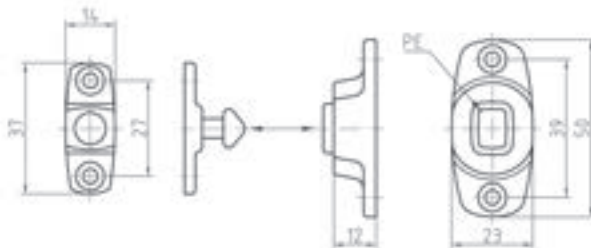
Art.code	Surface	Article description	Unit	Weight
253101.4	Bp	Spring-type door holder heavy, 70 mm	pc.	0,160
253101.6	Bpc	Spring-type door holder heavy, 70 mm	pc.	0,160
253101.9	Bmc	Spring-type door holder heavy, 70 mm	pc.	0,160
253199.4	Bp	Single spring clip for door holder group 2531, 2532 and 2533	pc.	0,025
253199.6	Bpc	Single spring clip for door holder group 2531, 2532 and 2533	pc.	0,025
253199.9	Bmc	Single spring clip for door holder group 2531, 2532 and 2533	pc.	0,025
N-253101.4	S/S polished	Spring-type door holder heavy, 70 mm	pc.	0,185
N-253101.9	S/S matt	Spring-type door holder heavy, 70 mm	pc.	0,185

FURNITURE DOOR STOPPER - FURNITURE DOOR STOPPER WITH PE BUFFER



• Material: Ms 63 oder Edelstahl

• Komplett mit Gegenplatte

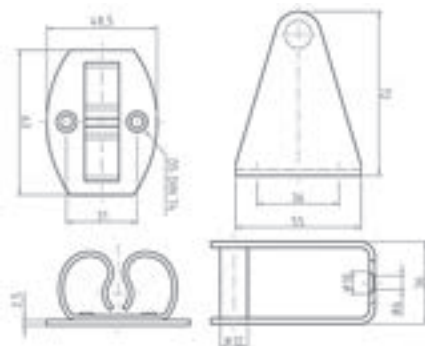


Art.code	Surface	Article description	Unit	Weight
253600.4	Bp	Furniture door stopper with PE buffer and counterplate	pc.	0,050
253600.6	Bpc	Furniture door stopper with PE buffer and counterplate	pc.	0,050
253600.9	Bmc	Furniture door stopper with PE buffer and counterplate	pc.	0,050

SPRING CLIPS 45/70 MM - SPRING CLIPS 45/70 MM BRASS

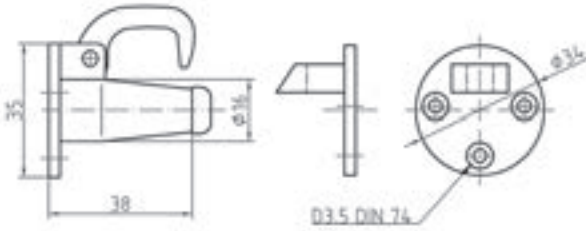


• Material: Brass Ms 63



Art.code	Surface	Article description	Unit	Weight
253001.4	Bp	Spring clip with counter part 70 mm	pc.	0,285
253001.6	Bpc	Spring clip with counter part 70 mm	pc.	0,285
253001.9	Bmc	Spring clip with counter part 70 mm	pc.	0,285
253002.4	Bp	Spring clip with counter part 40 mm	pc.	0,245
253002.6	Bpc	Spring clip with counter part 40 mm	pc.	0,245
253002.9	Bmc	Spring clip with counter part 40 mm	pc.	0,245

DOOR STOPPERS SMALL - DOOR STOPPERS 38 MM SMALL VERSION

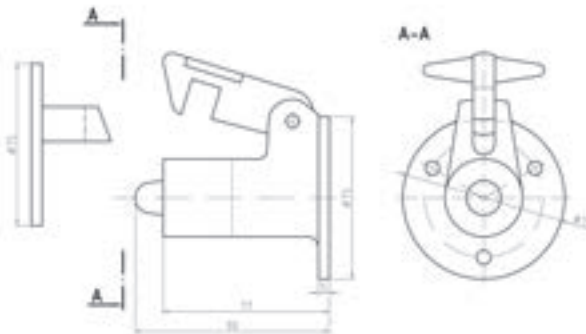


Art.code	Surface	Article description	Unit	Weight
251300.4	Bp	Door stopper small 38 mm with catch plate	pc.	0,100
251300.6	Bpc	Door stopper small 38 mm with catch plate	pc.	0,100
251300.9	Bmc	Door stopper small 38 mm with catch plate	pc.	0,100

DOOR STOPPER HEAVY VERSION - DOOR STOPPER HEAVY VERSION

• Material: Brass Ms 63

• Complete with counter plate

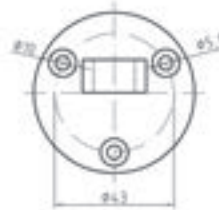
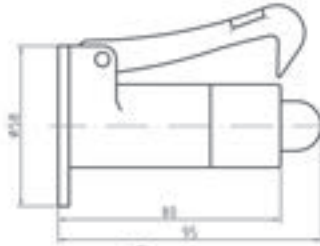


Art.code	Surface	Article description	Unit	Weight
251001.1	Brp	Door stopper heavy version 90 mm, with counterplate	pc.	1,015
251001.4	Bp	Door stopper heavy version 90 mm, with counterplate	pc.	1,015
251001.6	Bpc	Door stopper heavy version 90 mm, with counterplate	pc.	1,015
251001.9	Bmc	Door stopper heavy version 90 mm, with counterplate	pc.	1,015

DOOR STOPPERS 80 MM - DOOR STOPPERS 80 MM

- Material: Brass Ms 63

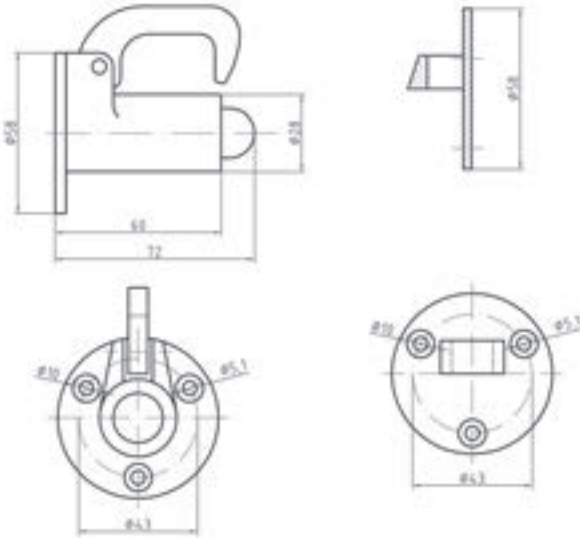
- Complete with counter plate



Art.code	Surface	Article description	Unit	Weight
251101.4	Bp	Door stopper L=80 D=56 mm with counter plate	pc.	0,380
251101.6	Bpc	Door stopper L=80 D=56 mm with counter plate	pc.	0,380
251101.9	Bmc	Door stopper L=80 D=56 mm with counter plate	pc.	0,380
251280.0	S/S	Distance disk for door stoppers Rd 60x6 mm	pc.	0,130
251290.4	Bp	Single counter plate for door stopper series 2511, 2512 and 2515	pc.	0,080
251290.6	Bpc	Single counter plate for door stopper series 2511, 2512 and 2515	pc.	0,080
251290.9	Bmc	Single counter plate for door stopper series 2511, 2512 and 2515	pc.	0,080

DOOR STOPPERS 60 MM DIN 81406 A - DOOR STOPPERS 60 MM

- Available in Material brass Ms 63 or stainless steel
- Counter plate available in all surfaces as single part
- Complete with counter plate

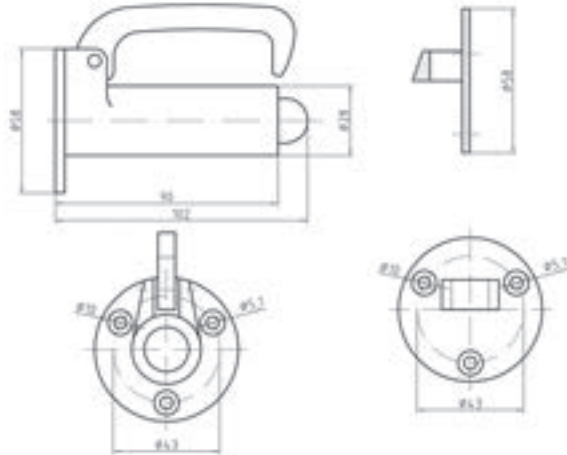


Art.code	Surface	Article description	Unit	Weight
251201.4	Bp	Door stopper DIN 81406 A, 60 mm with catch plate	pc.	0,400
251201.6	Bpc	Door stopper DIN 81406 A, 60 mm with catch plate	pc.	0,400
251201.9	Bmc	Door stopper DIN 81406 A, 60 mm with catch plate	pc.	0,400
251280.0	S/S	Distance disk for door stoppers Rd 60x6 mm	pc.	0,130
251290.4	Bp	Single counter plate for door stopper series 2511, 2512 and 2515	pc.	0,040
251290.6	Bpc	Single counter plate for door stopper series 2511, 2512 and 2515	pc.	0,040
251290.9	Bmc	Single counter plate for door stopper series 2511, 2512 and 2515	pc.	0,040
N-251201.0	S/S brushed	Door stopper DIN 81406 A, 60 mm with catch plate	pc.	0,350
N-251201.4	S/S polished	Door stopper DIN 81406 A, 60 mm with catch plate	pc.	0,350
N-251201.9	S/S matt	Door stopper DIN 81406 A, 60 mm with catch plate	pc.	0,350
N-251290.0	S/S brushed	Single counter plate for door stopper series 2511, 2512 and 2515	pc.	0,040
N-251290.4	S/S polished	Single counter plate for door stopper series 2511, 2512 and 2515	pc.	0,040
N-251290.9	S/S matt	Single counter plate for door stopper series 2511, 2512 and 2515	pc.	0,040

DOOR STOPPERS 90 MM DIN 81406 A - DOOR STOPPERS 90 MM

• Available in Material brass Ms 63 or stainless steel

• Counter plate available in all surfaces as single part

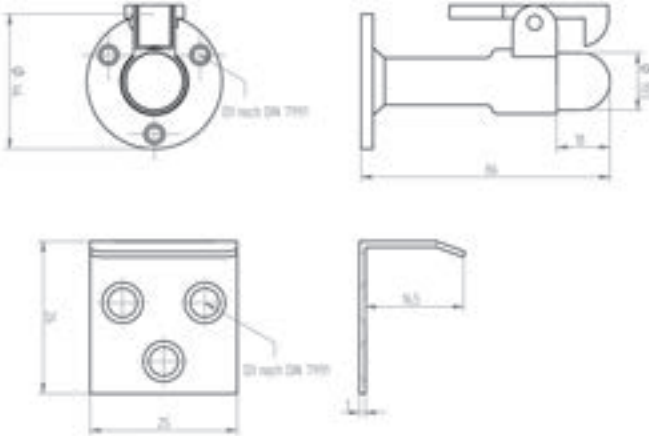


Art.code	Surface	Article description	Unit	Weight
251501.4	Bp	Door stopper DIN 81406 A, 90 mm with catch plate	pc.	0,500
251501.6	Bpc	Door stopper DIN 81406 A, 90 mm with catch plate	pc.	0,500
251501.9	Bmc	Door stopper DIN 81406 A, 90 mm with catch plate	pc.	0,500
251280.0	S/S	Distance disk for door stoppers Rd 60x6 mm	pc.	0,130
251290.4	Bp	Single counter plate for door stopper series 2511, 2512 and 2515	pc.	0,040
251290.6	Bpc	Single counter plate for door stopper series 2511, 2512 and 2515	pc.	0,040
251290.9	Bmc	Single counter plate for door stopper series 2511, 2512 and 2515	pc.	0,040
N-251501.0	S/S brushed	Door stopper DIN 81406 A, 90 mm with catch plate	pc.	0,440
N-251501.4	S/S polished	Door stopper DIN 81406 A, 90 mm with catch plate	pc.	0,440
N-251501.9	S/S matt	Door stopper DIN 81406 A, 90 mm with catch plate	pc.	0,440
N-251290.0	S/S brushed	Single counter plate for door stopper series 2511, 2512 and 2515	pc.	0,040
N-251290.4	S/S polished	Single counter plate for door stopper series 2511, 2512 and 2515	pc.	0,040
N-251290.9	S/S matt	Single counter plate for door stopper series 2511, 2512 and 2515	pc.	0,040

DOOR STOPPERS 85 MM - DOOR STOPPERS 85 MM

Stainless steel

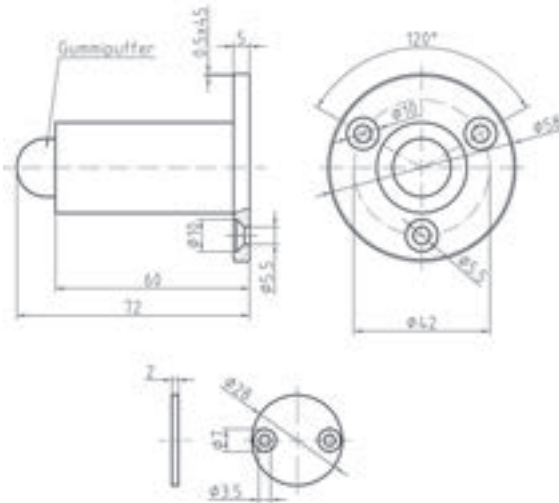
- Stainless steel A2



Art.code	Surface	Article description	Unit	Weight
N-251600.0	S/S brushed	Door stopper 85 mm with catch plate	pc.	0,075

DOOR STOPPERS 60 MM - DOOR STOPPERS 60 MM BRASS

- Material: Brass Ms 63
- Complete with counter plate



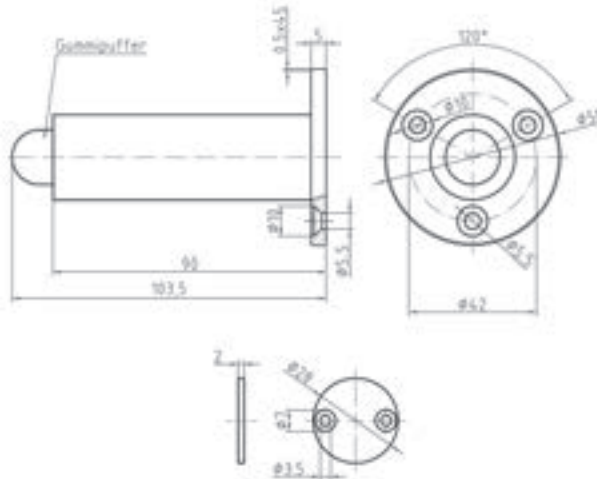
Art.code	Surface	Article description	Unit	Weight
251401.4	Bp	Door stopper 60 mm with buffer plate	pc.	0,230
251401.6	Bpc	Door stopper 60 mm with buffer plate	pc.	0,230
251401.9	Bmc	Door stopper 60 mm with buffer plate	pc.	0,230
251280.0	S/S	Distance disk for door stoppers Rd 60x6 mm	pc.	0,130

DOOR STOPPERS 90 MM - DOOR STOPPERS 90 MM BRASS



• Material: Brass Ms 63

• Complete with counter plate



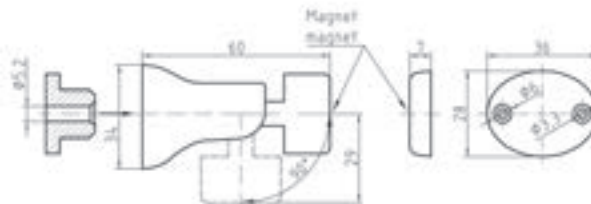
Art.code	Surface	Article description	Unit	Weight
252001.4	Bp	Door stopper 90 mm with buffer plate	pc.	0,265
252001.6	Bpc	Door stopper 90 mm with buffer plate	pc.	0,265
252001.9	Bmc	Door stopper 90 mm with buffer plate	pc.	0,265
251280.0	S/S	Distance disk for door stoppers Rd 60x6 mm	pc.	0,130

MAGNETIC DOOR STOPPER - MAGNETIC DOOR STOPPER TURNABLE 90°



• Material: Brass Ms 63

• Pull force 3,8 kg



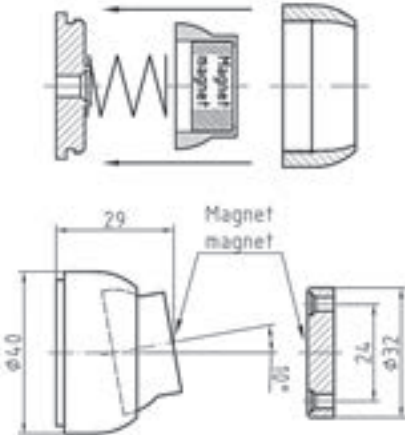
Art.code	Surface	Article description	Unit	Weight
251601.4	Bp	Door stopper magnetic turnable 90° with buffer plate	pc.	0,230
251601.6	Bpc	Door stopper magnetic turnable 90° with buffer plate	pc.	0,230

MAGNETIC DOOR STOPPERS 10° TURNABLE - MAGNETIC DOOR STOPPER 34 MM

Pull force 3,8 kg

• Material: Brass Ms 63

• Pull force 3,8 kg



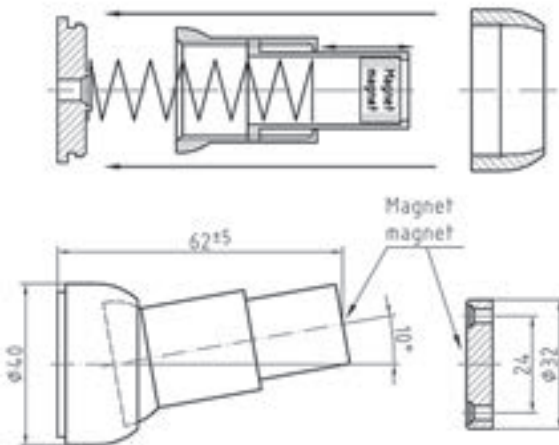
Art.code	Surface	Article description	Unit	Weight
251701.4	Bp	Door stopper magnetic turnable 10° short version with buffer plate	pc.	0,200
251701.6	Bpc	Door stopper magnetic turnable 10° short version with buffer plate	pc.	0,200

MAGNETIC DOOR STOPPERS 10° TURNABLE - MAGNETIC DOOR STOPPER 73MM

Pull force 3,8 kg

• Material: Brass Ms 63

• Pull force 3,8 kg

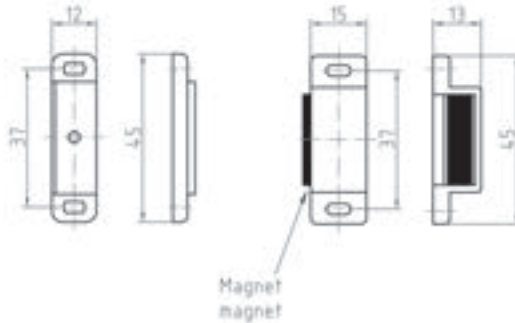


Art.code	Surface	Article description	Unit	Weight
251801.4	Bp	Door stopper magnetic turnable 10° long version with buffer plate	pc.	0,240
251801.6	Bpc	Door stopper magnetic turnable 10° long version with buffer plate	pc.	0,240

MAGNETIC SNAPPER - MAGNETIC PE SNAPPER

Pull force 4-5 kg

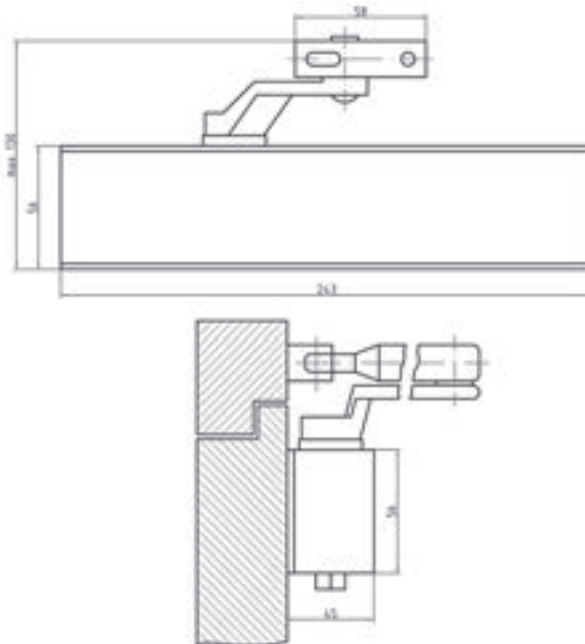
- Pull force 4-5 kg



Art.code	Surface	Article description	Unit	Weight
251901.0	PE	Magnetic snapper 4-5 kg with counterplate	pc.	0,022

DOOR CLOSER EN 1154 A - DOOR CLOSER NR. 9006

- For in/outside doors with max. width of 1250 mm
- Closing speed progressively adjustable
- Approved to EN 1154 A
- Assembly without fixing plate
- For right or left doors

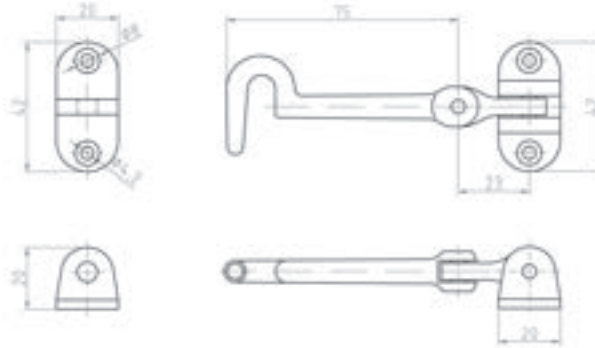


Art.code	Surface	Article description	Unit	Weight
OTS-9006.0	RAL 9006 silver	Door closing set with scissor rods, for door width up to 1250 mm	pc.	2,300

ARTICULATED HOOKS STAINLESS STEEL A4 - ARTICULATED HOOKS WITH EYELET, HEAVY VERSION

- Material: Stainless steel A4
- Complete set with eyelet

- Satin matt surface on request

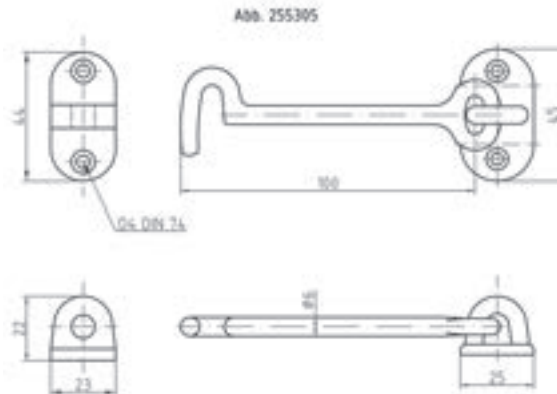


Art.code	Surface	Article description	Unit	Weight
N-255108.4	S/S polished	Articulated hook 300 mm, heavy version	pc.	0,260
N-255100.4	S/S polished	Articulated hook 250 mm, heavy version	pc.	0,230
N-255101.4	S/S polished	Articulated hook 200 mm, heavy version	pc.	0,220
N-255103.4	S/S polished	Articulated hook 150 mm, heavy version	pc.	0,160
N-255105.4	S/S polished	Articulated hook 100 mm, heavy version	pc.	0,130
N-255106.4	S/S polished	Articulated hook 75 mm, heavy version	pc.	0,120

DOOR HOOKS - DOOR HOOK WITH EYELET, MEDIUM VERSION

- Material: Brass Ms 63
- Available surfaces: Bp, Bpc and Bmc

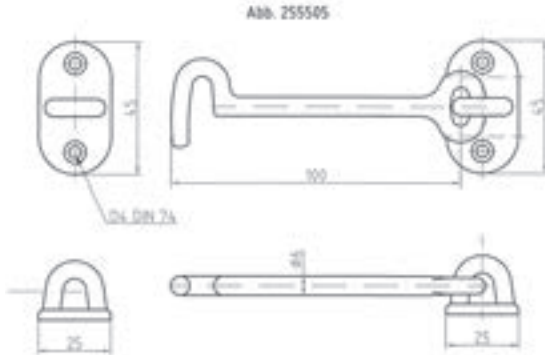
- Complete with eyelet



Art.code	Surface	Article description	Unit	Weight
255303.4	Bp	Door hook 150 mm, medium version	pc.	0,130
255304.4	Bp	Door hook 125 mm, medium version	pc.	0,130
255305.4	Bp	Door hook 100 mm, medium version	pc.	0,100
255306.4	Bp	Door hook 75 mm, medium version	pc.	0,100
255307.4	Bp	Door hook 50 mm, medium version	pc.	0,070
255350.4	Bp	Counter eyelet plate for door hook serie No. 2553 up to 200 mm, casted	pc.	0,020

DOOR HOOKS - DOOR HOOK WITH EYELET, LIGHT VERSION

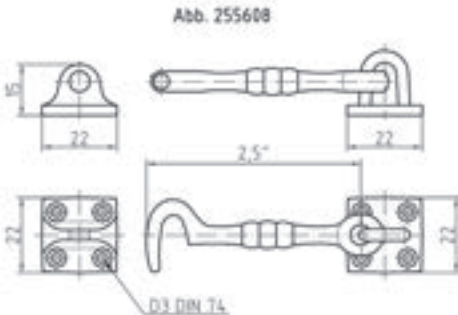
- Material: Brass Ms 63
- Available surfaces: Bp, Bpc and Bmc
- Complete with eyelet



Art.code	Surface	Article description	Unit	Weight
255501.4	Bp	Door hook 200 mm, light version	pc.	0,200
255502.4	Bp	Door hook 175 mm, light version	pc.	0,135
255503.4	Bp	Door hook 150 mm, light version	pc.	0,120
255504.4	Bp	Door hook 125 mm, light version	pc.	0,115
255505.4	Bp	Door hook 100 mm, light version	pc.	0,100
255506.4	Bp	Door hook 75 mm, light version	pc.	0,080
255550.4	Bp	Counter plate for door hook serie No. 2555 up to 200 mm stamped version	pc.	0,020

DOOR HOOKS - CABIN HOOKS

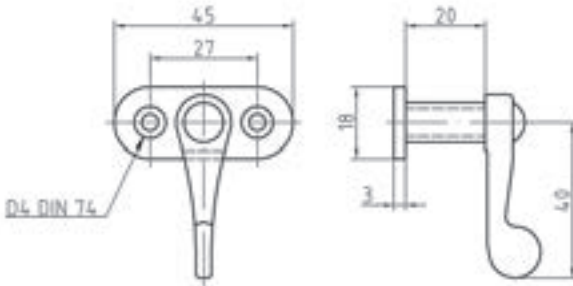
- Material: Brass Ms 63
- Available surfaces: Brass roll polished or nickle plated



Art.code	Surface	Article description	Unit	Weight
255601.1	Brp	Cabin hook 10 inch with counter plate	pc.	0,375
255602.1	Brp	Cabin hook 8 inch with counter plate	pc.	0,225
255603.1	Brp	Cabin hook 6 inch with counter plate	pc.	0,130
255604.1	Brp	Cabin hook 5 inch with counter plate	pc.	0,110
255605.1	Brp	Cabin hook 4 inch with counter plate	pc.	0,050
255606.1	Brp	Cabin hook 3,5 inch with counter plate	pc.	0,040
255607.1	Brp	Cabin hook 3 inch with counter plate	pc.	0,040
255608.1	Brp	Cabin hook 2,5 inch with counter plate	pc.	0,030
255609.1	Brp	Cabin hook 2 inch with counter plate	pc.	0,030
255696.1	Brp	Counter plate 40x45 mm for cabin hooks 10 inch and 12 inch	pc.	0,080
255697.1	Brp	Counter plate 40x45 mm for cabin hooks 8 inch	pc.	0,050
255698.1	Brp	Counter plate 32x32 mm for cabin hooks 6 inch	pc.	0,050
255699.1	Brp	Counter plate 22x22 mm for cabin hooks 2-5 inch	pc.	0,020

TURNBUCKLES - TURNBUCKLES WITH DISTANCE TUBE

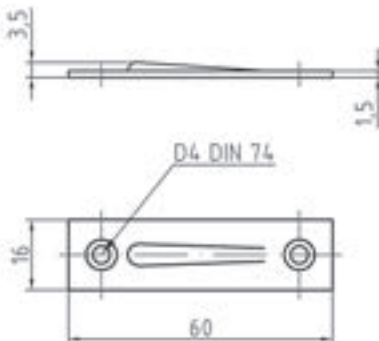
• Material: Brass Ms 63



Art.code	Surface	Article description	Unit	Weight
561010.4	Bp	Turnbuckles on base plate, H=10 mm	pc.	0,040
561010.6	Bpc	Turnbuckles on base plate, H=10 mm	pc.	0,040
561010.9	Bmc	Turnbuckles on base plate, H=10 mm	pc.	0,040
561015.4	Bp	Turnbuckles on base plate, H=15 mm	pc.	0,045
561015.6	Bpc	Turnbuckles on base plate, H=15 mm	pc.	0,045
561015.9	Bmc	Turnbuckles on base plate, H=15 mm	pc.	0,045
561020.4	Bp	Turnbuckles on base plate, H=20 mm	pc.	0,050
561020.6	Bpc	Turnbuckles on base plate, H=20 mm	pc.	0,050
561020.9	Bmc	Turnbuckles on base plate, H=20 mm	pc.	0,050
561025.4	Bp	Turnbuckles on base plate, H=25 mm	pc.	0,055
561025.6	Bpc	Turnbuckles on base plate, H=25 mm	pc.	0,055
561025.9	Bmc	Turnbuckles on base plate, H=25 mm	pc.	0,055
561030.4	Bp	Turnbuckles on base plate, H=30 mm	pc.	0,060
561030.6	Bpc	Turnbuckles on base plate, H=30 mm	pc.	0,060
561030.9	Bmc	Turnbuckles on base plate, H=30 mm	pc.	0,060

TURNBUCKLES - COUNTERPLATE FOR TURNBUCKLES STAMPED

• Material: Brass Ms 58



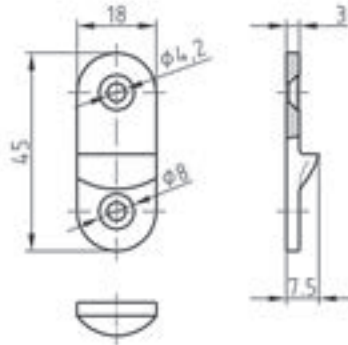
Art.code	Surface	Article description	Unit	Weight
565500.4	Bp	Counter plate for turnbuckles Group 56 stamped, 60x16x3 mm	pc.	0,010
565500.6	Bpc	Counter plate for turnbuckles Group 56 stamped, 60x16x3 mm	pc.	0,010
565500.9	Bmc	Counter plate for turnbuckles Group 56 stamped, 60x16x3 mm	pc.	0,010

TURNBUCKLES - COUNTERPLATE FOR TURNBUCKLES CASTED



- Material: Brass Ms 58

- With round edges



Art.code	Surface	Article description	Unit	Weight
565600.1	Brp	Counter plate for turnbuckles Group 56 forged	pc.	0,017
565600.3	Brpc	Counter plate for turnbuckles Group 56 forged	pc.	0,017
565600.4	Bp	Counter plate for turnbuckles Group 56 forged	pc.	0,017
565600.6	Bpc	Counter plate for turnbuckles Group 56 forged	pc.	0,017
565600.9	Bmc	Counter plate for turnbuckles Group 56 forged	pc.	0,017