

TOGGLE AND HOOK SERIES

Accessories  
Electronic lock  
Handle lock  
Cylinder lock  
Plane lock  
Rod control lock  
Panel lock  
Toggle and hook  
Handles  
Door stop  
Hinge  
Seal gasket



IP65

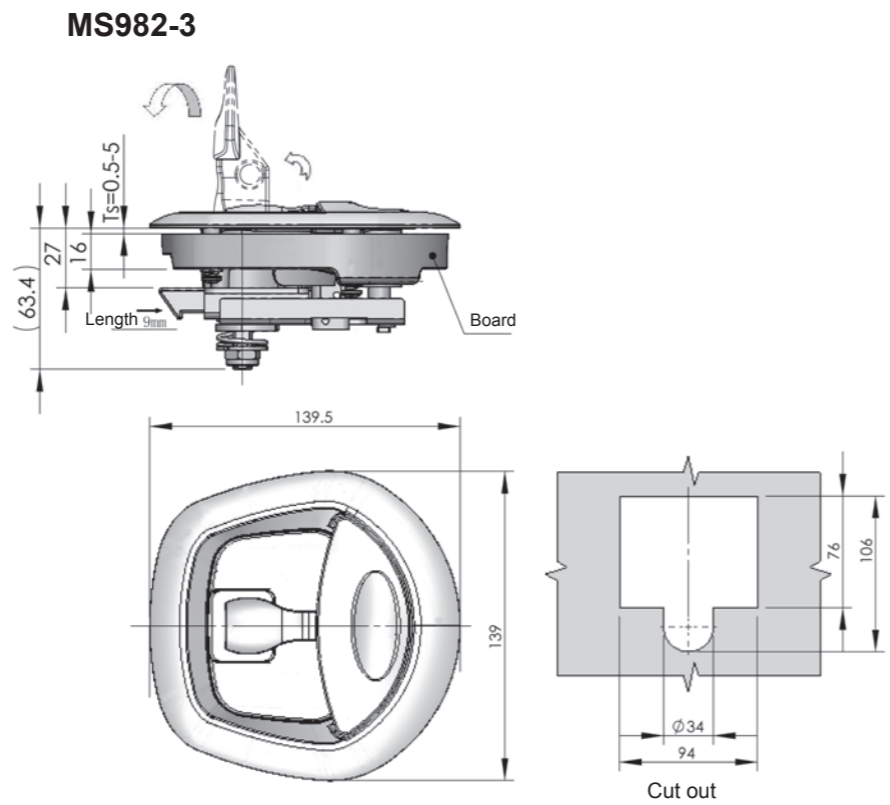
**Material:**ZDC housing and handle  
**Finish :** Bright chrome plated  
**Structure :**Pull and turn the handle 90 degree, along with the cam,Closing the door by hitting when the lock is on the close status

**Performance parameter:**

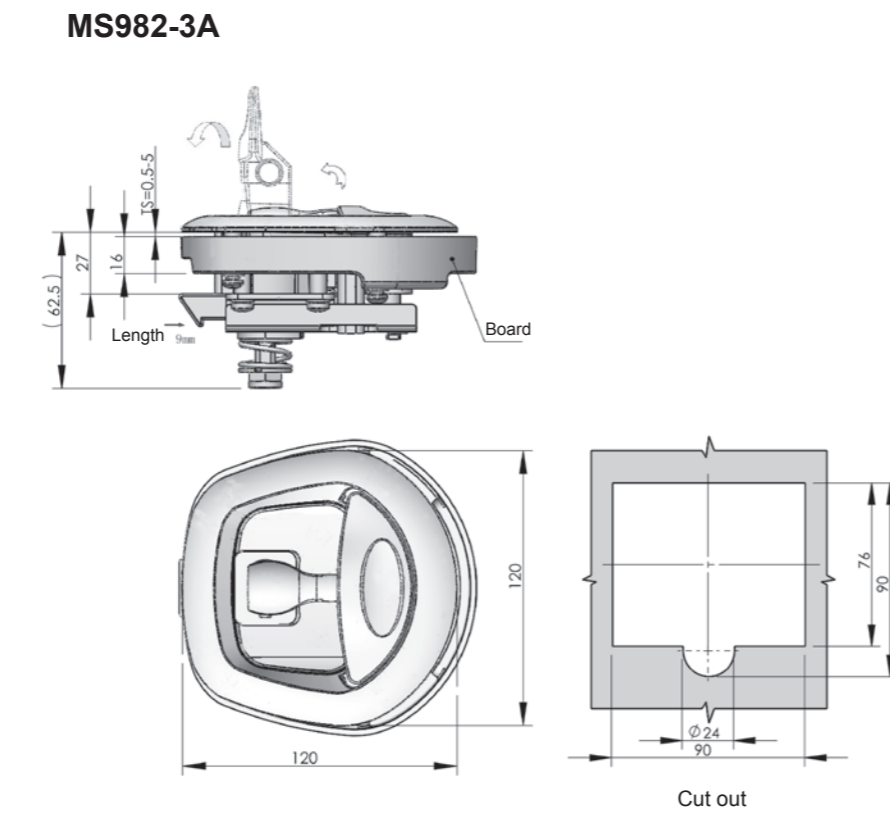
**MS982-3**  
Handle load torque capability:  $\leq 31N.m$   
Cam loading capability:  $\leq 4000N$

**MS982-3A**  
Handle load torque capability:  $\leq 39N.m$   
Cam loading capability:  $\leq 2000N$

**Application example**



ERP MS982Z3A520003



ERP MS982Z3A520004

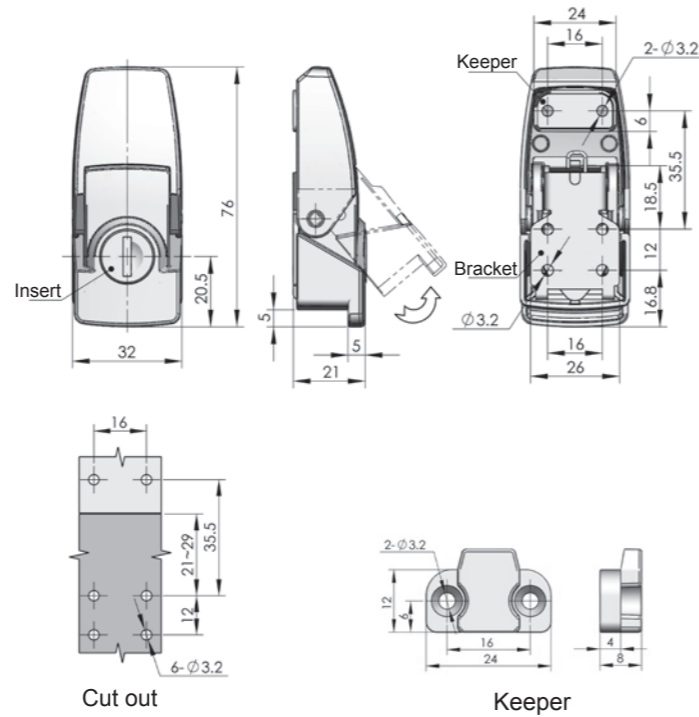
DKS	DK601	DK602	DK603
DK604	DK605	DK606	DK609
DK610	DK611	DK615	DK617
DK618	DK623	DK624	DK634
DK635	DK636-1	DK639	DK725-3B

**DKS**



**Main material and finish:** ZDC housing and keeper, stainless steel bracket  
**Remark:** Optional key K080

**Performance parameter:**  
**Maximum static load:** 700N



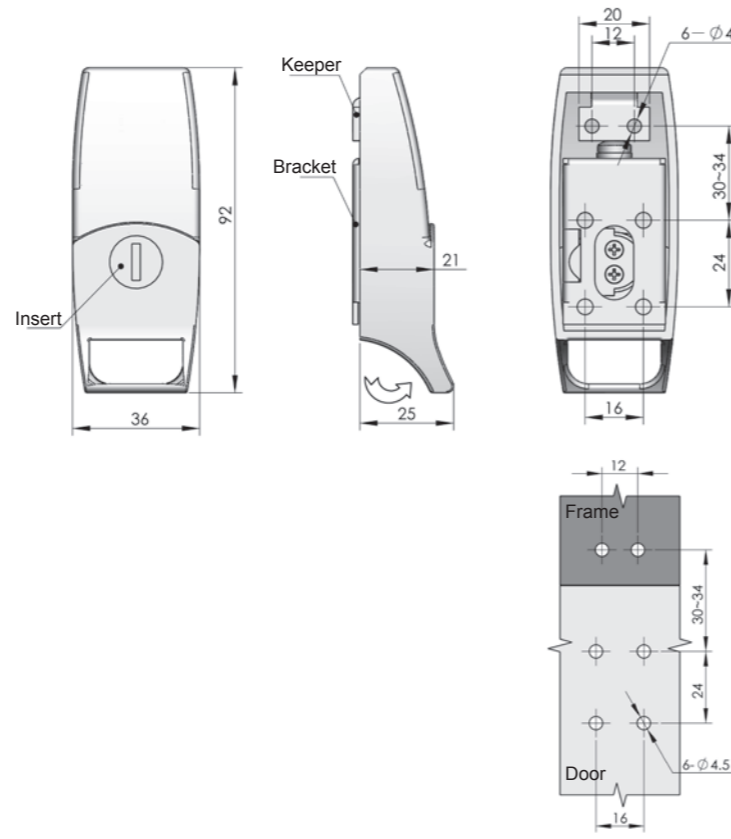
Specification	ERP	
	Bright chrome-plated	
DKS-1 With insert	DKDKSZ3B080001	DKDKSZ1A080001
DKS-2 Without insert	DKDKSZ3B000001	DKDKSZ1A000001

**DK601**



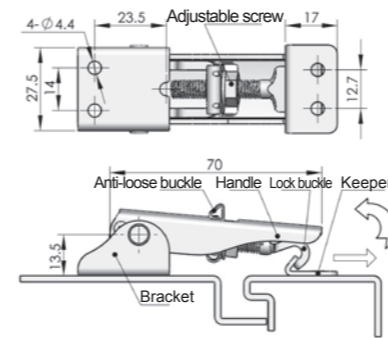
**Main material and finish:** Black powder coated ZDC housing, stainless steel bracket and keeper  
**Remark:** Optional key K080

**Performance parameter:**  
**Maximum static load:** 750N

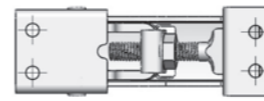


ERP	DK601Z1A080001
-----	----------------

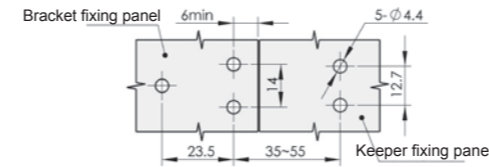
**Exposed type**



With anti-loose buckle

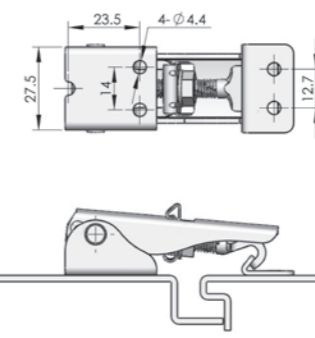


Without anti-loose buckle

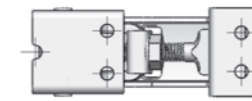


Cut out

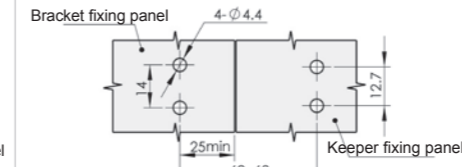
**Concealed type**



With anti-loose buckle



Without anti-loose buckle



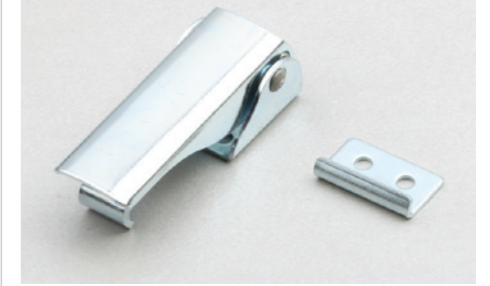
Cut out

Specification	Exposed type			
	Stainless steel		Steel	
	Model	ERP	Model	ERP
Without anti-loose hook	DK602-1ES	DK602S4A000001	DK602-1E	DK602F3D000001
With anti-loose hook	DK602-3B-1ES	DK602S4A000003	DK602-3B-1E	DK602F3D000004

Specification	Concealed type			
	Stainless steel		Steel	
	Model	ERP	Model	ERP
Without anti-loose hook	DK602-1HS	DK602S4A000002	DK602-1H	DK602F3D000002
With anti-loose hook	DK602-3B-1HS	DK602S4A000004	DK602-3B-1H	DK602F3D000005

**DK602**



**Main material and finish:** Electrolysis polished stainless steel or zinc-plated steel

**Performance parameter:**  
**Maximum static load:** 430N

Accessories  
Electronic lock  
Handle lock  
Cylinder lock  
Plane lock  
Rod control lock  
Panel lock  
Toggle and hook  
Handles  
Door stop  
Hinge  
Seal gasket

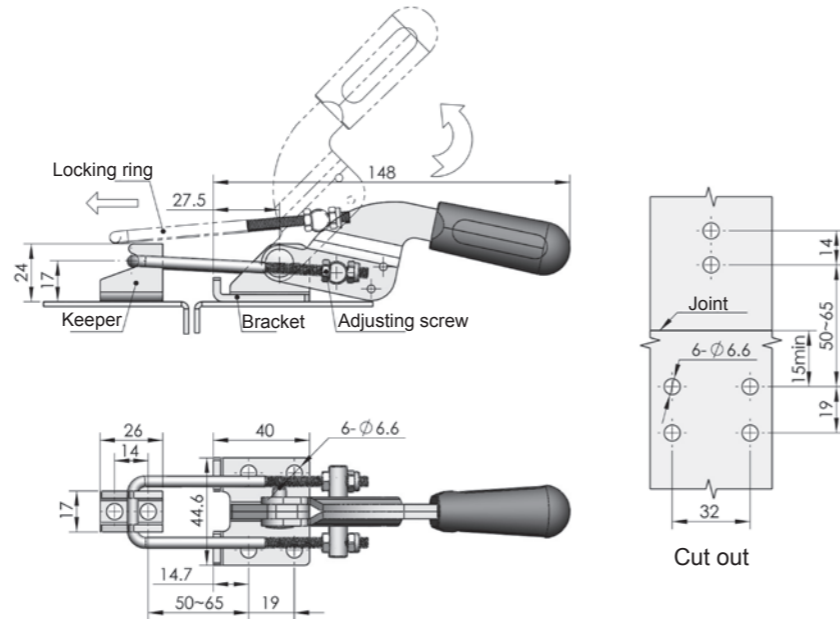
Accessories  
Electronic lock  
Handle lock  
Cylinder lock  
Plane lock  
Rod control lock  
Panel lock  
Toggle and hook  
Handles  
Door stop  
Hinge  
Seal gasket

**DK603**



**Main material and finish:** Zinc-plated steel body, rubber handle

**Performance parameter:**  
Maximum static load: 1500N



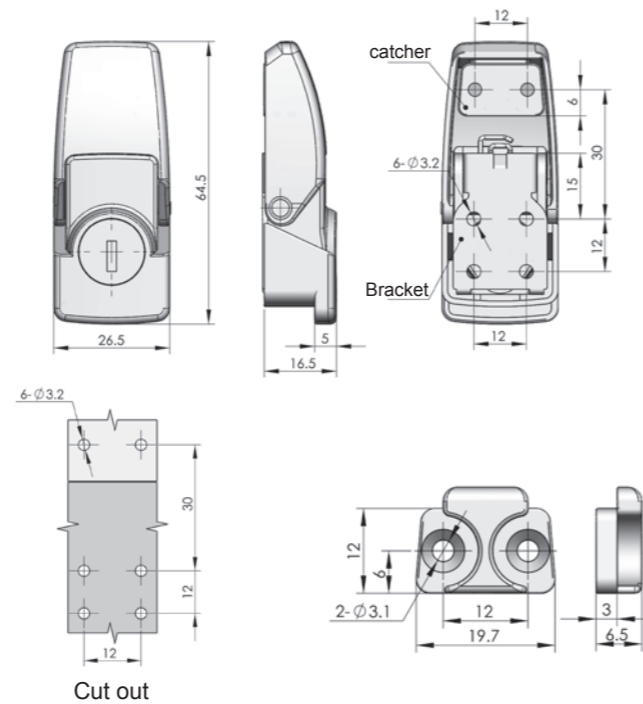
ERP DK603F3D000001

**DK604**

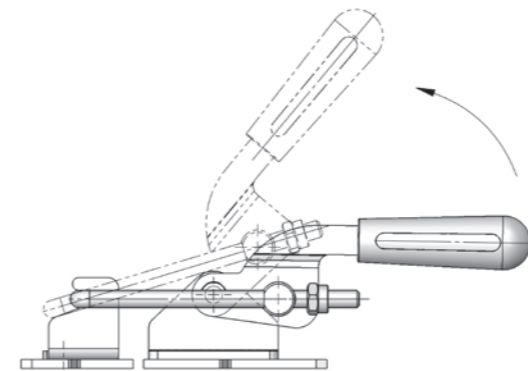
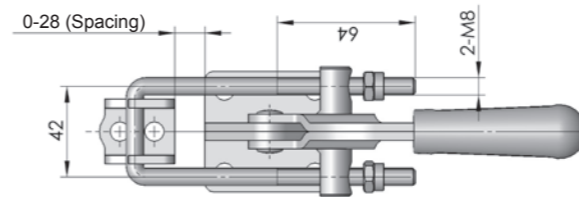
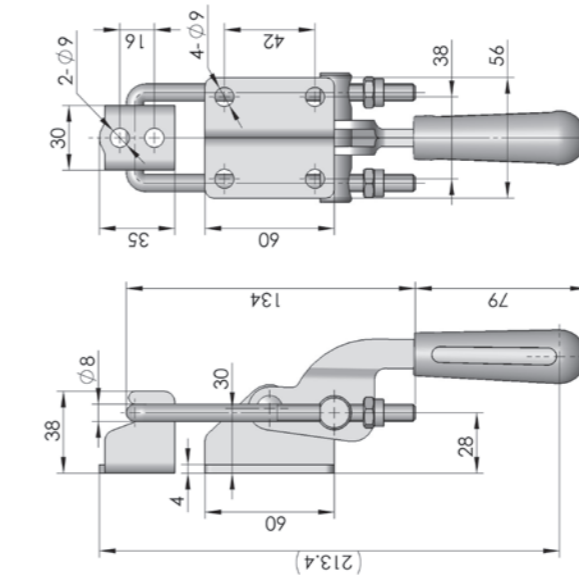


**Main material and finish:** ZDC housing and keeper, stainless steel bracket  
**Remark:** Key K080 for selection

**Performance parameter:**  
Maximum static load: 610N



Specification	ERP	
	Black powder coated	Bright chrome-plated
DK604-1 With insert	DK604Z2A080002	DK604Z3A080001
DK604-2 Without insert	DK604Z2A000001	DK604Z3A000001



ERP DK603F3D000004

**DK603-3**



**Main material and finish:** white zinc-plated steel

**Performance parameter:**  
Maximum static load: 3000N

Accessories  
Electronic lock  
Handle lock  
Cylinder lock  
Plane lock  
Rod control lock  
Panel lock  
Toggle and hook  
Handles  
Door stop  
Hinge  
Seal gasket

Accessories  
Electronic lock  
Handle lock  
Cylinder lock  
Plane lock  
Rod control lock  
Panel lock  
Toggle and hook  
Handles  
Door stop  
Hinge  
Seal gasket

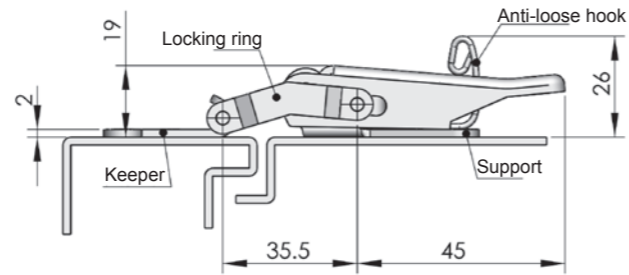
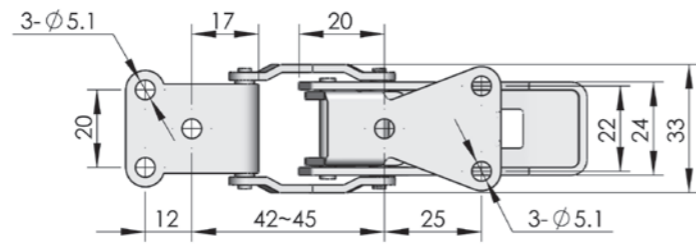
Accessories  
Electronic lock  
Handle lock  
Cylinder lock  
Plane lock  
Rod control lock  
Panel lock  
Toggle and hook  
Handles  
Door stop  
Hinge  
Seal gasket

**DK605**



**Main material and finish:** Mirror polished stainless steel

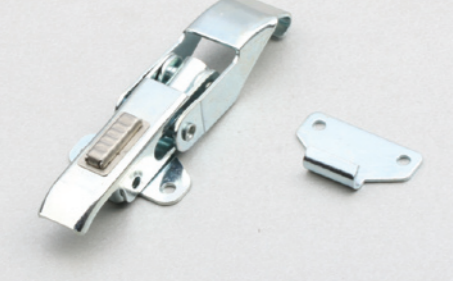
**Performance parameter:**  
Maximum static load: 800N



ERP

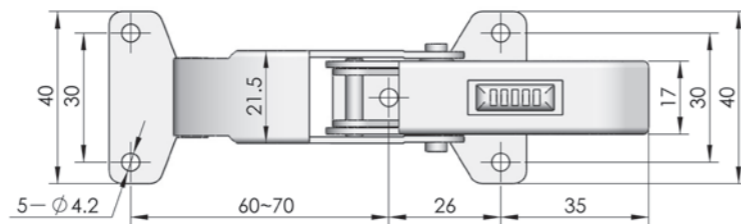
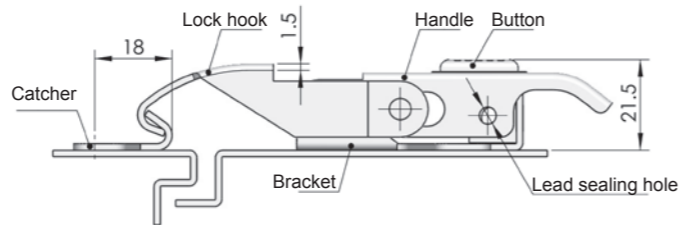
DK605S4A000004

**DK606**



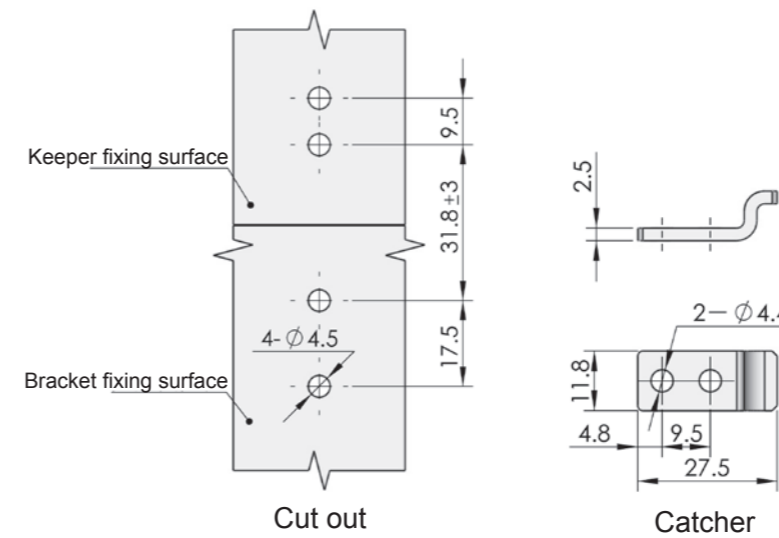
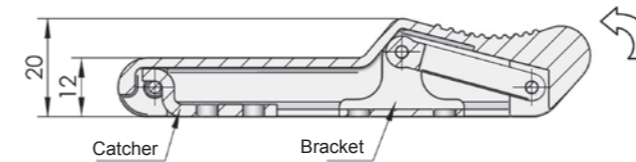
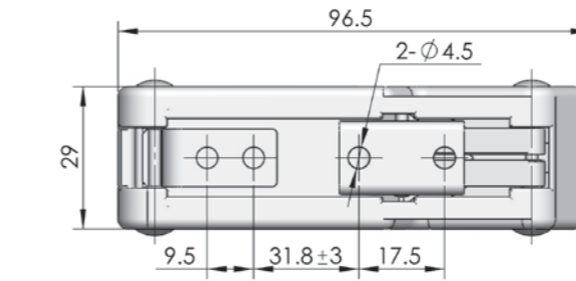
**Main material and finish:** Zinc-plated steel

**Performance parameter:**  
Maximum static load: 150N



ERP

DK606F3D000001



ERP

DK609N00000001

**DK609**



**Main material and finish:** Black rubber handle, stainless steel keeper and bracket

**Performance parameter:**  
Maximum static load: 45N

Accessories  
Electronic lock  
Handle lock  
Cylinder lock  
Plane lock  
Rod control lock  
Panel lock  
Toggle and hook  
Handles  
Door stop  
Hinge  
Seal gasket

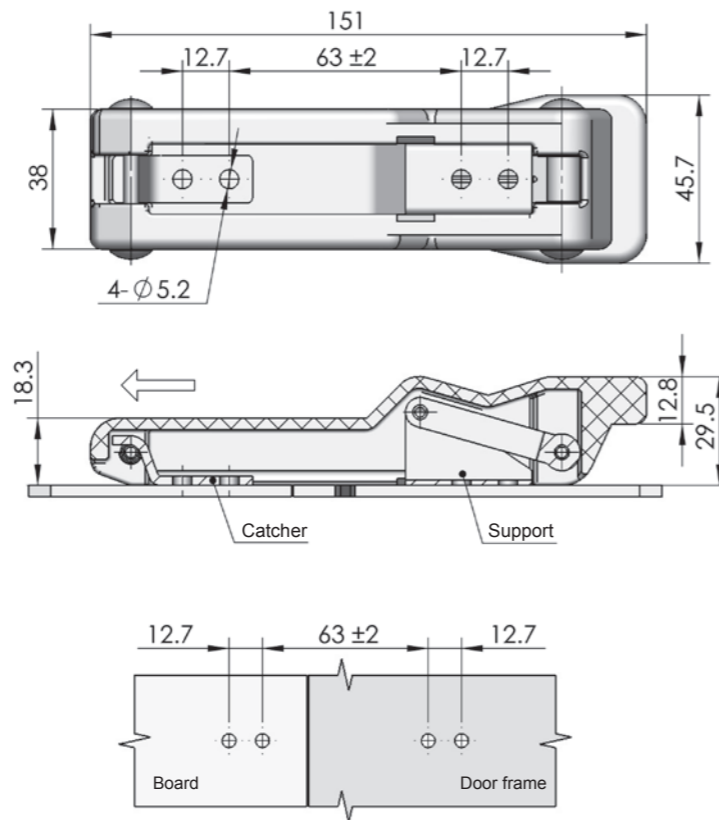
Accessories  
Electronic lock  
Handle lock  
Cylinder lock  
Plane lock  
Rod control lock  
Panel lock  
Toggle and hook  
Handles  
Door stop  
Hinge  
Seal gasket

**DK609-2**

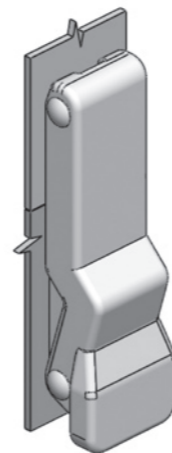
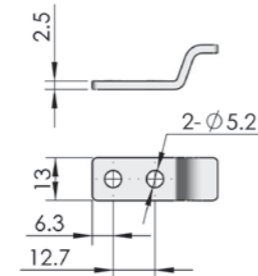


**Main material and finish:** Black rubber handle, stainless steel support and catcher

**Performance parameter:**  
Maximum static load: 65N



**Catcher**



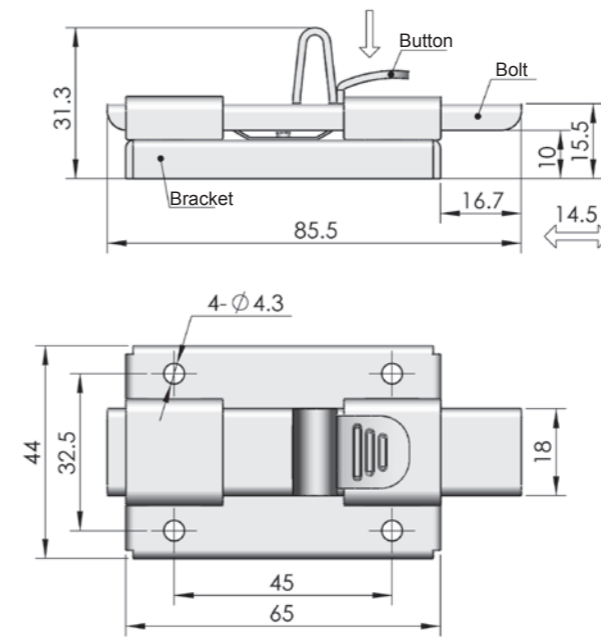
ERP DK609N00000006

**DK610**



**Main material and finish:** Electrolytic stainless steel

**Performance parameter:**  
Maximum static load: 765N



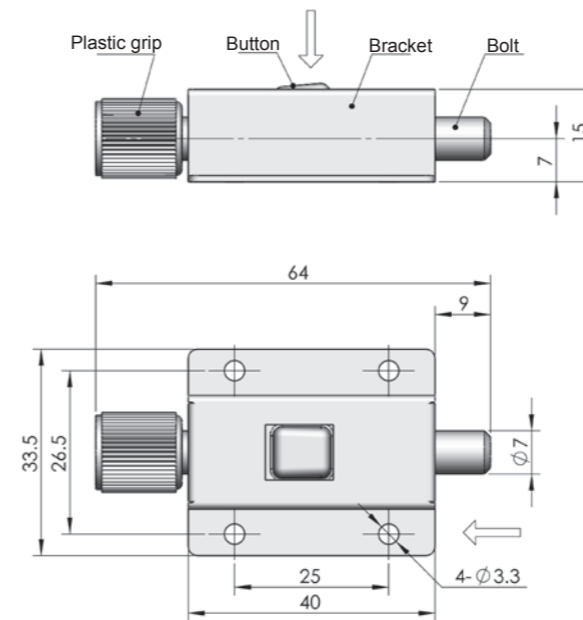
ERP DK610S00000001

**DK611**



**Main material and finish:** Stainless steel bracket and button, chrome plated steel bolt with plastic grip

**Performance parameter:**  
Maximum static load: 500N



ERP DK611S00000001

Accessories  
Electronic lock  
Handle lock  
Cylinder lock  
Plane lock  
Rod control lock  
Panel lock  
Toggle and hook  
Handles  
Door stop  
Hinge  
Seal gasket

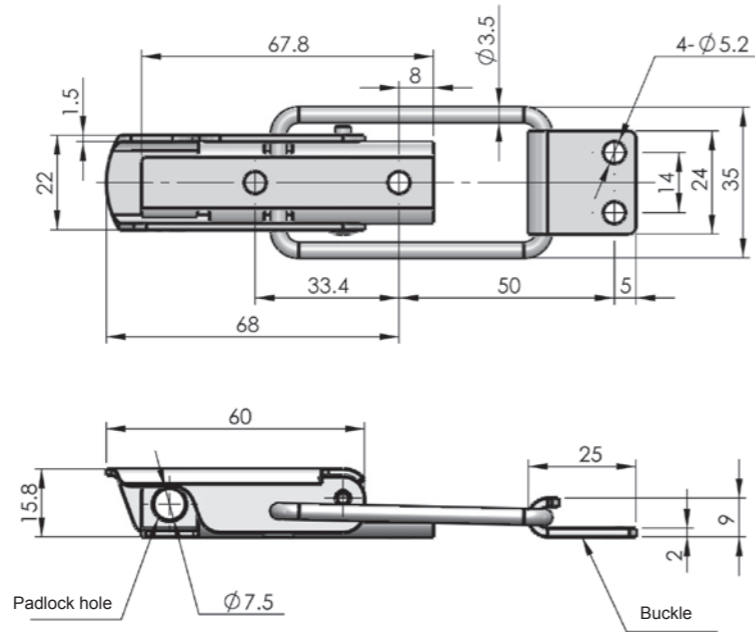


**DK617-5**

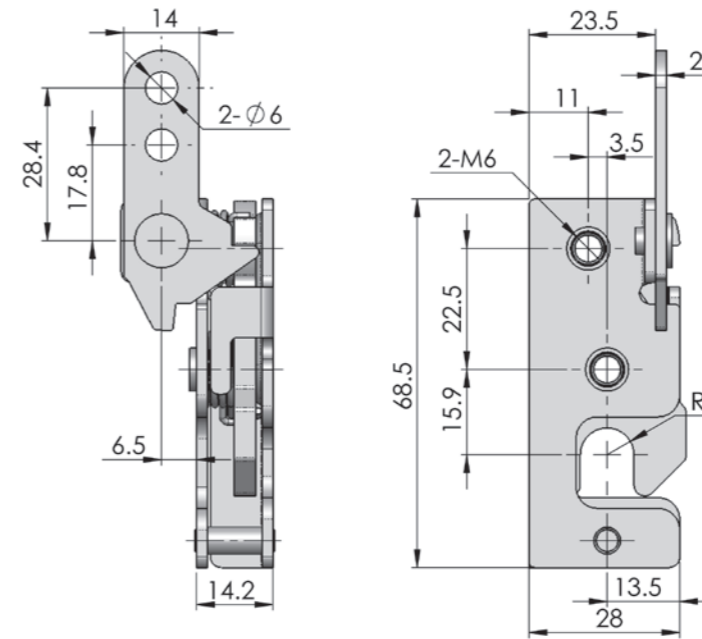


**Main material:** Stainless steel Grinding and polishing  
**Structure :** Padlock version is available

**Performance parameter:**  
**Maximum static load:** 750N



ERP	DK617S9D4001
-----	--------------



Specification	Model	ERP
Left hand	DK618-7-Z	DK618F3D000007
Right hand	DK618-7-Y	DK618F3D000008

**DK618-7**

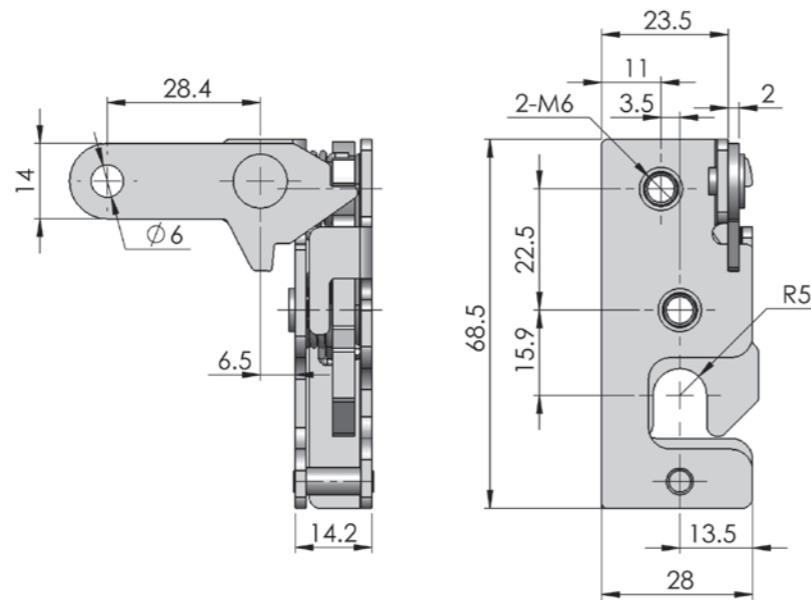


**Main material:** Steel  
**Finish:** 3+ zinc plated  
Item shown on the picture is DK618-7-Z

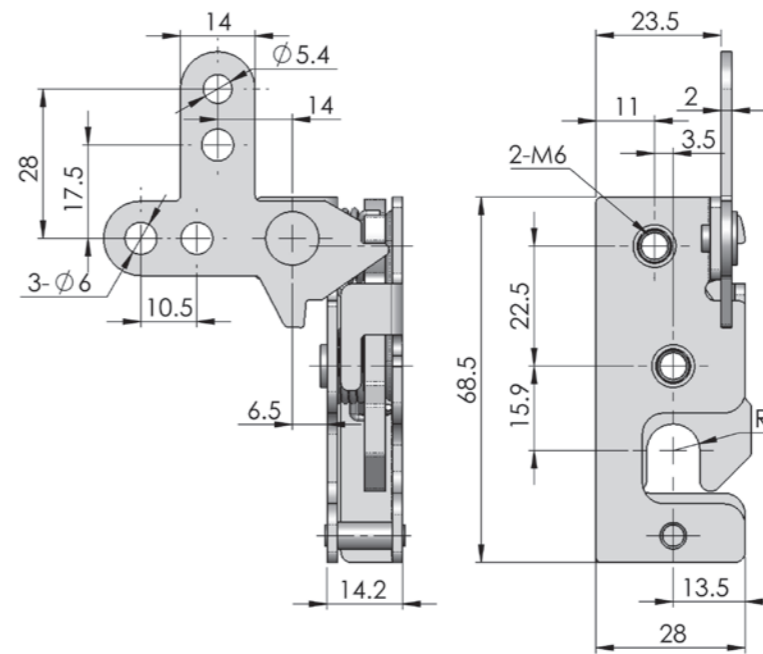
**DK618-6**



**Main material:** Steel  
**Finish:** 3+ zinc plated  
Item shown on the picture is DK618-6-Z



Specification	Model	ERP
Left hand	DK618-6-Z	DK618F3D000005
Right hand	DK618-6-Y	DK618F3D000006



Specification	Model	ERP
Left hand	DK618-8-Z	DK618F3D000009
Right hand	DK618-8-Y	DK618F3D000010

**DK618-8**



**Main material:** Steel  
**Finish:** 3+ zinc plated  
Item shown on the picture is DK618-8-Z

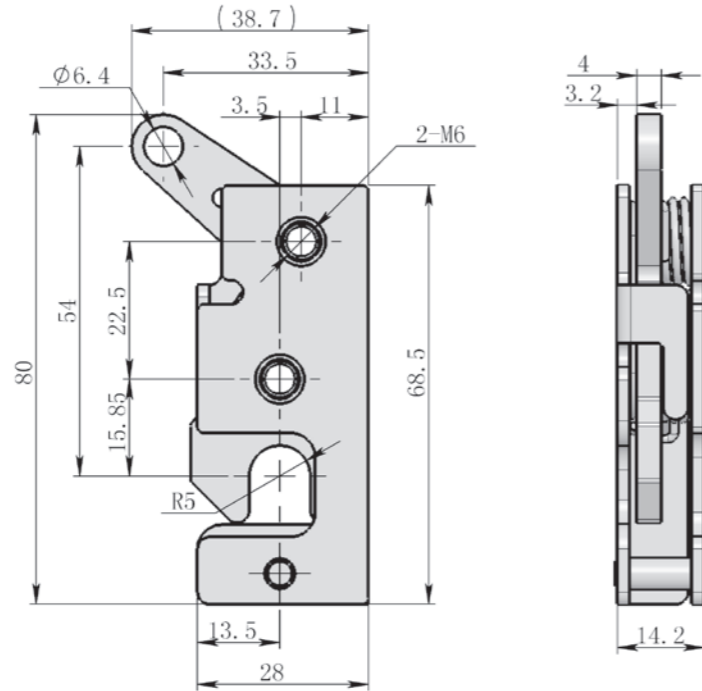
Accessories  
Electronic lock  
Handle lock  
Cylinder lock  
Plane lock  
Rod control lock  
Panel lock  
Toggle and hook  
Handles  
Door stop  
Hinge  
Seal gasket

Accessories  
Electronic lock  
Handle lock  
Cylinder lock  
Plane lock  
Rod control lock  
Panel lock  
Toggle and hook  
Handles  
Door stop  
Hinge  
Seal gasket

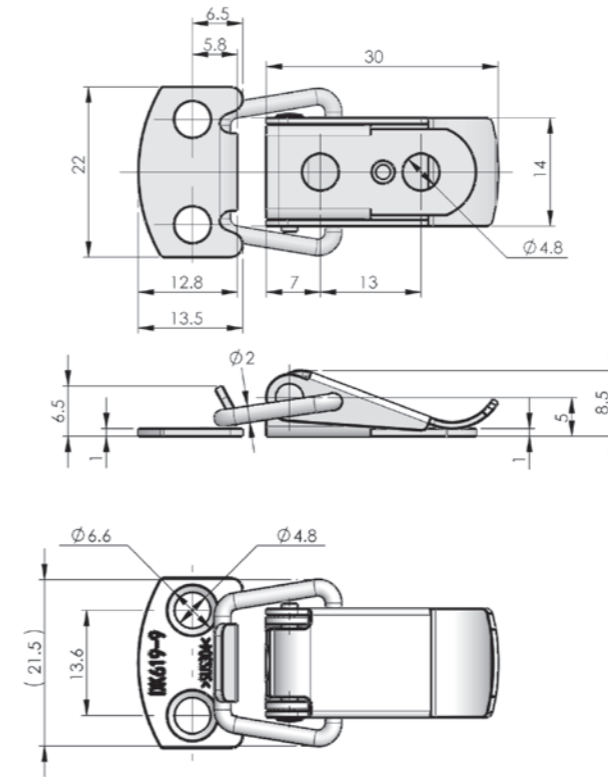
**DK618-9**



**Main material:** Steel  
**Finish:** 3+ zinc plated  
Item shown on the picture is DK618-9-Y



Specification	Model	ERP
Left hand	DK618-9-Z	DK618F3D000012
Right hand	DK618-9-Y	DK618F3D000011



ERP	DK619S4C000001
-----	----------------

**DK619-9**



**Main material and finish:** Stainless steel 304

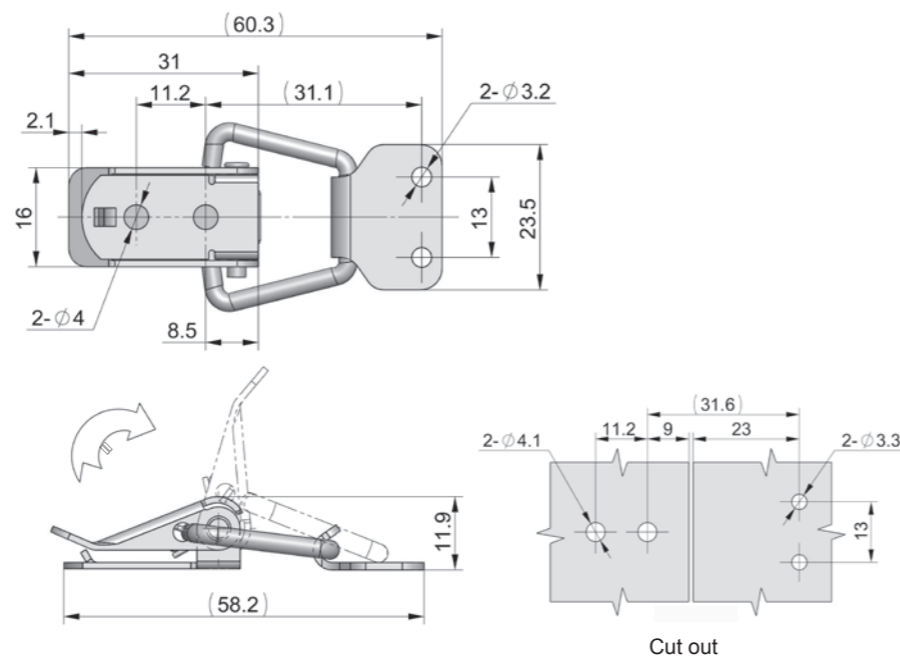
**Performance parameter:**  
Maximum static load: 140N

**DK619-2-1D**

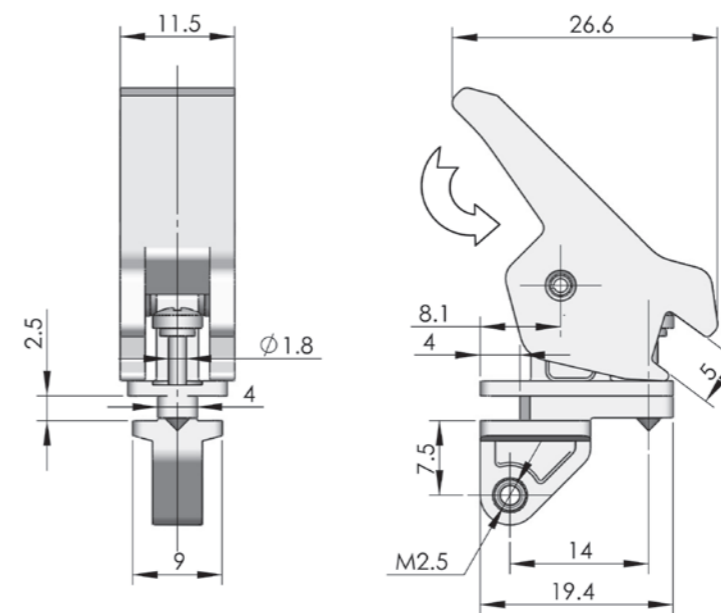


**Main material and finish:** Mirror polishing cover with plastic SUS304 body

**Performance parameter:**  
Maximum static load: 180N



ERP	DK619S4A000001
-----	----------------



ERP	DK623N00000001
-----	----------------

**DK623**



**Main material:** PBT toggle, stainless steel screw

**Performance parameter:**  
Maximum static load: 80N

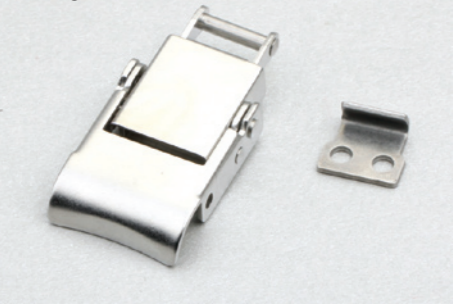
Accessories  
Electronic lock  
Handle lock  
Cylinder lock  
Plane lock  
Rod control lock  
Panel lock  
Toggle and hook  
Handles  
Door stop  
Hinge  
Seal gasket

Accessories  
Electronic lock  
Handle lock  
Cylinder lock  
Plane lock  
Rod control lock  
Panel lock  
Toggle and hook  
Handles  
Door stop  
Hinge  
Seal gasket



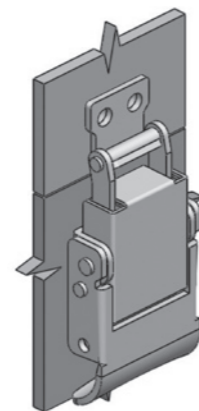
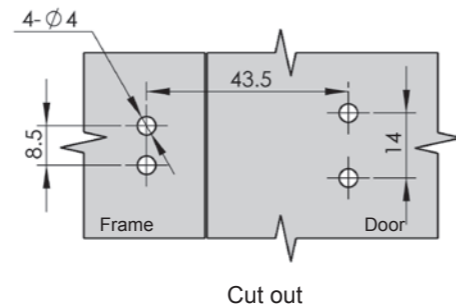
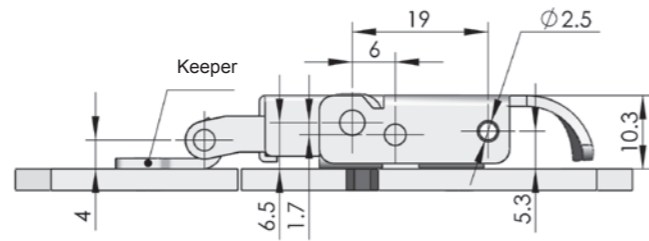
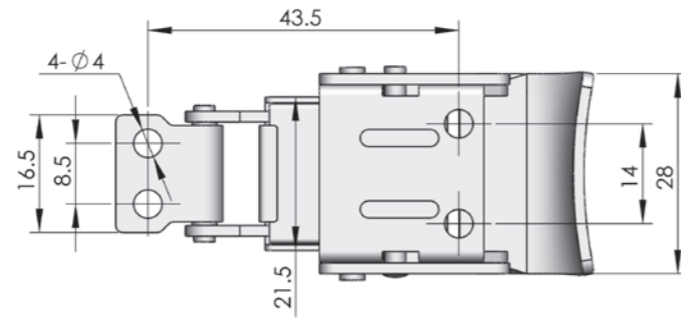
Accessories  
Electronic lock  
Handle lock  
Cylinder lock  
Plane lock  
Rod control lock  
Panel lock  
Toggle and hook  
Handles  
Door stop  
Hinge  
Seal gasket

**DK624**

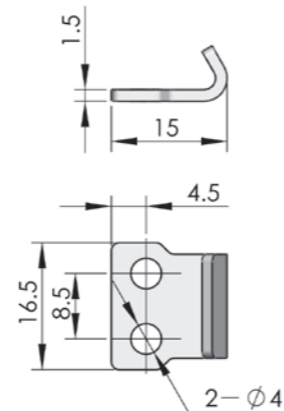


**Main material and finish:** Electrolytic stainless steel

**Performance parameter:**  
Maximum static load: 800N

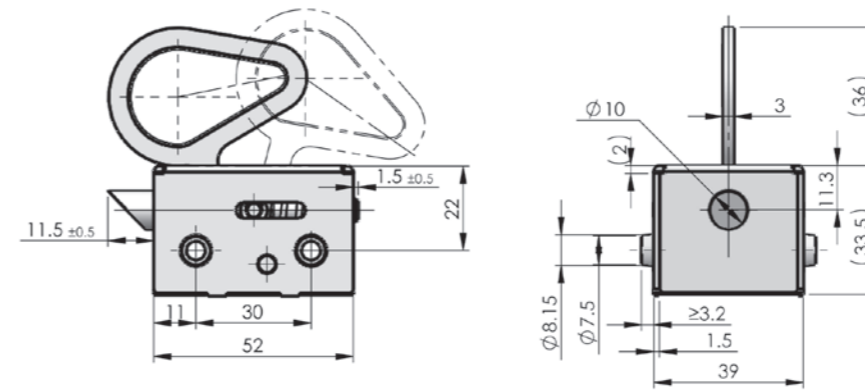


**Keeper**



ERP

DK624S9C000002



ERP

DK627S4C000001

**DK627**



**Main material and finish:** Stainless steel 304

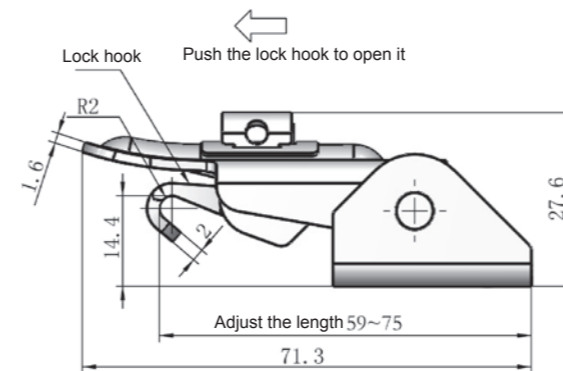
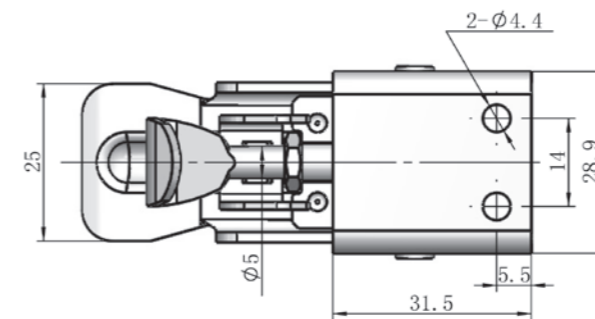
**Performance parameter:**  
Maximum static load: 300N

**DK631-2**



**Main material:** Steel  
**Finish:** 3+ zinc plated  
**Structure:** with function of anti-loose, adjustable hook length

**Performance parameter:**  
Maximum static load: 300N



ERP

DK631F3E000001

Accessories  
Electronic lock  
Handle lock  
Cylinder lock  
Plane lock  
Rod control lock  
Panel lock  
Toggle and hook  
Handles  
Door stop  
Hinge  
Seal gasket

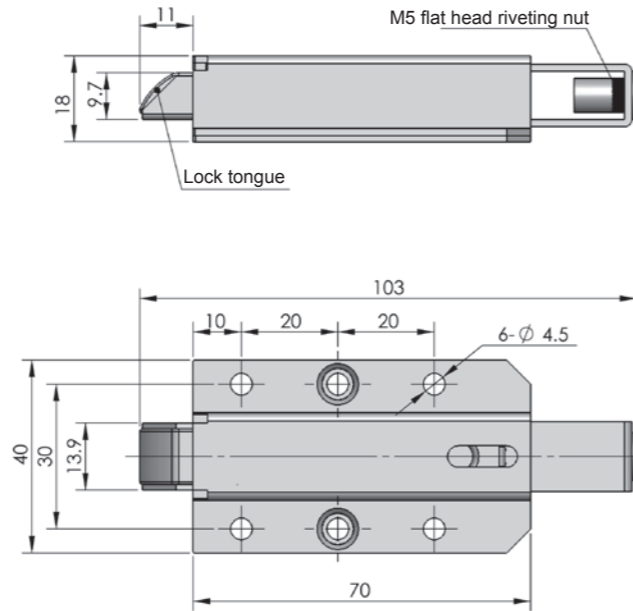
DK633-1



**Main material and finish:** White zinc plated steel housing, SUS304 bracket, PA lock tongue.

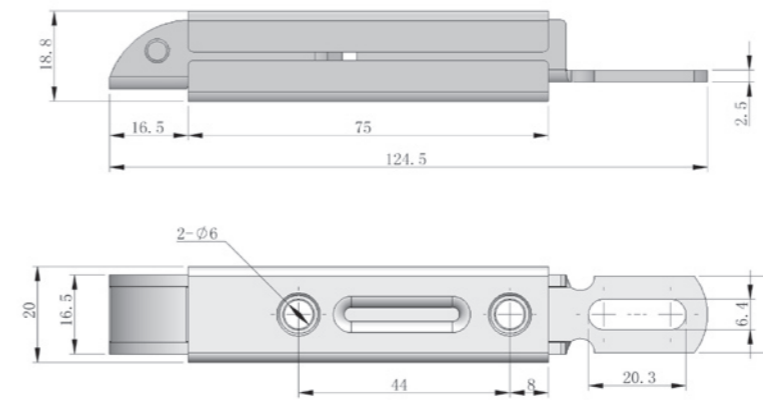
**Performance parameter:**  
Maximum static load: 330N

DK633-1



ERP

DK633F3D000001



ERP

DK633 F3D000004

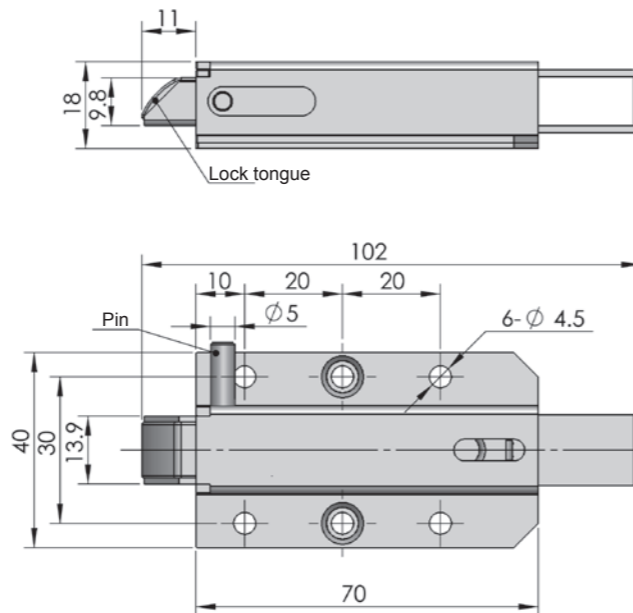
DK633-3



**Main material:** steel lock body, stainless steel pin  
**Finish:** 3+ zinc plated 48

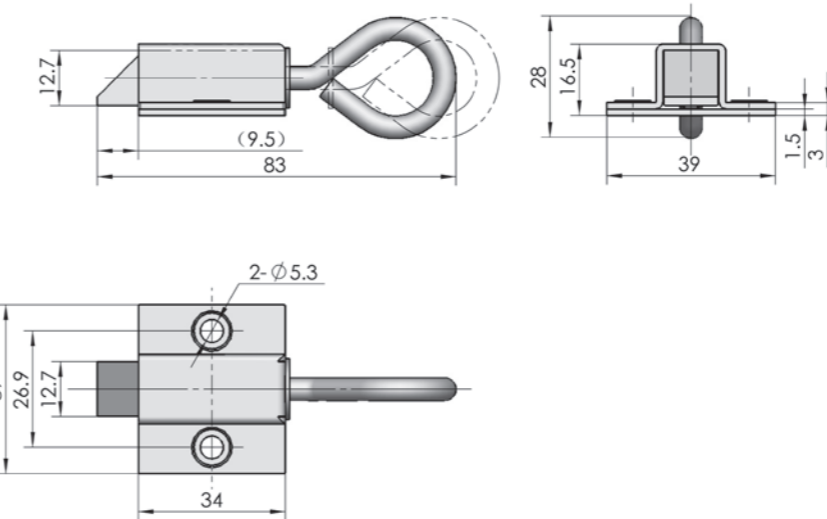
**Performance parameter:**  
Maximum static load: 320N

DK633-2



ERP

DK633F3D000002



ERP

DK634F3D000001

DK634



**Main material and finish:** White zinc-plated steel body

**Performance parameter:**  
Maximum static load: 250N

Accessories  
Electronic lock  
Handle lock  
Cylinder lock  
Plane lock  
Rod control lock  
Panel lock  
Toggle and hook  
Handles  
Door stop  
Hinge  
Seal gasket

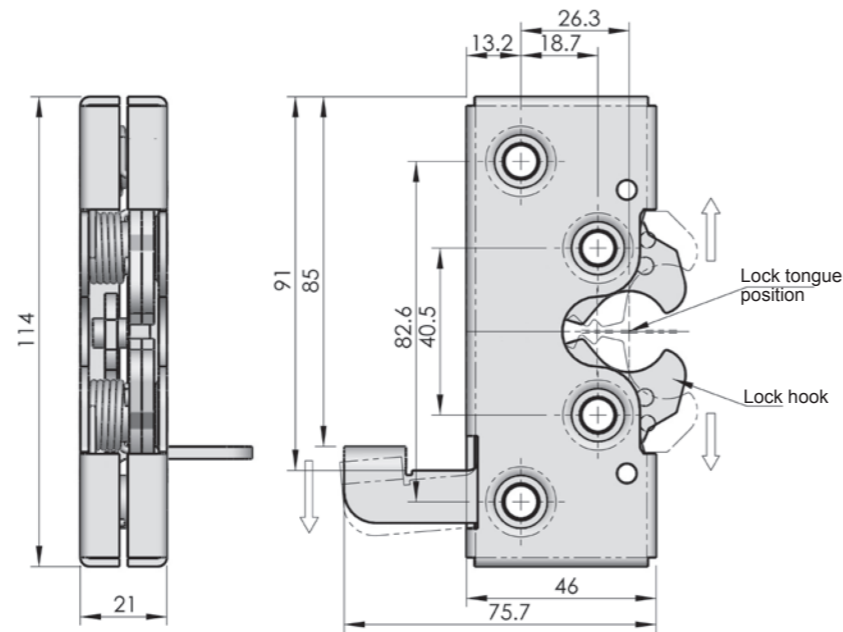
Accessories  
Electronic lock  
Handle lock  
Cylinder lock  
Plane lock  
Rod control lock  
Panel lock  
Toggle and hook  
Handles  
Door stop  
Hinge  
Seal gasket

**DK635**



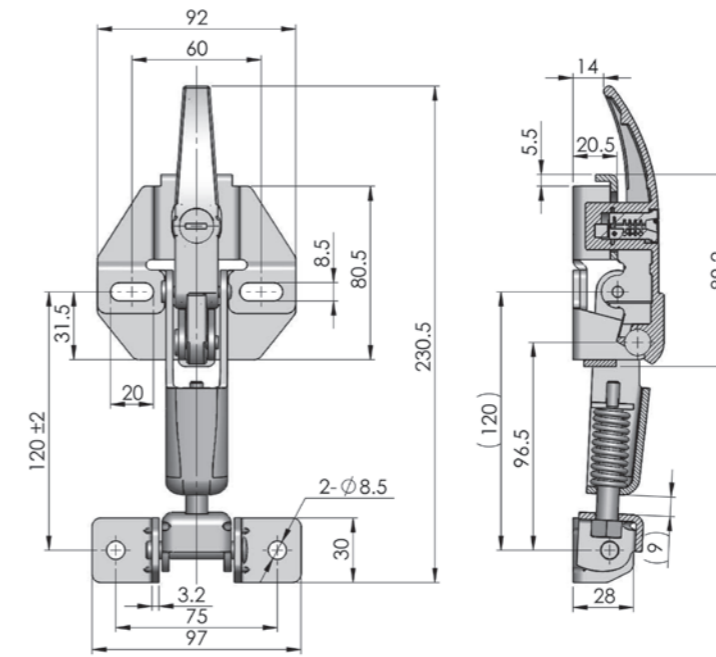
**Main material and finish:** 3+ zinc plated

**Performance parameter:**  
Maximum static load: 1000N



ERP DK635F3D000001

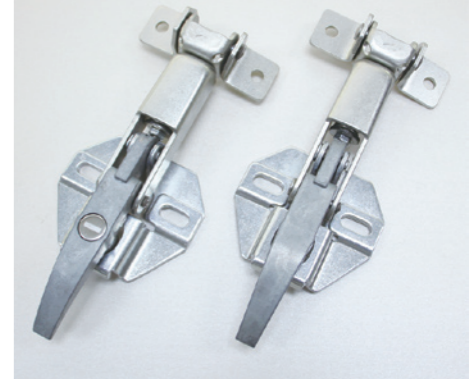
**DK636-1**



specification	with insert(with key)	without insert
ERP	DK636Z9D630001	DK636Z00000001

**DK636-1**

**DK636-2**



**Main material and finish:** 3+ zinc plated steel toggle, passivated ZDC handle  
Product applications as picture show

**Performance parameter:**  
Item:DK636-1  
Maximum static load: 1500N

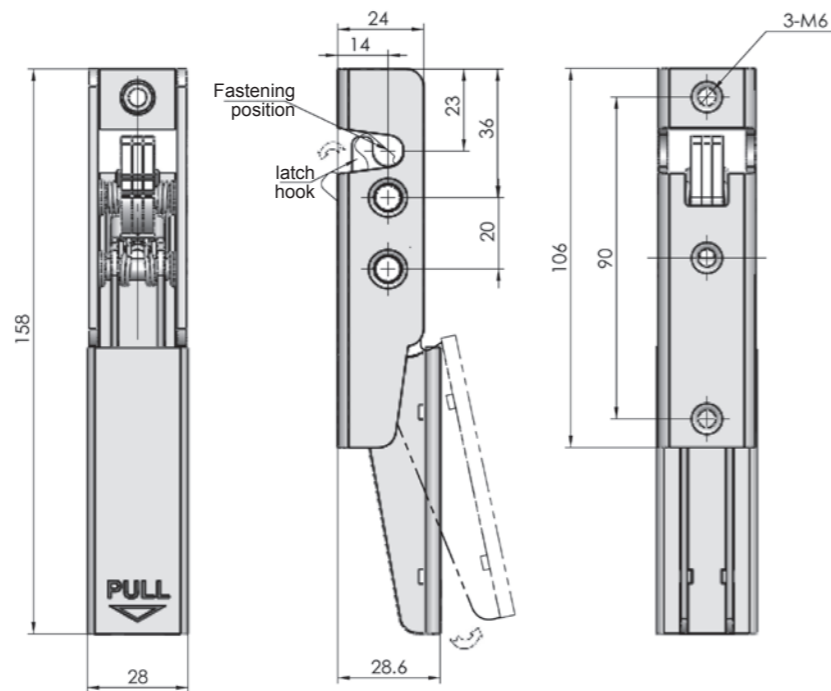
Item:DK636-2  
Maximum static load: 1000N

**DK638**



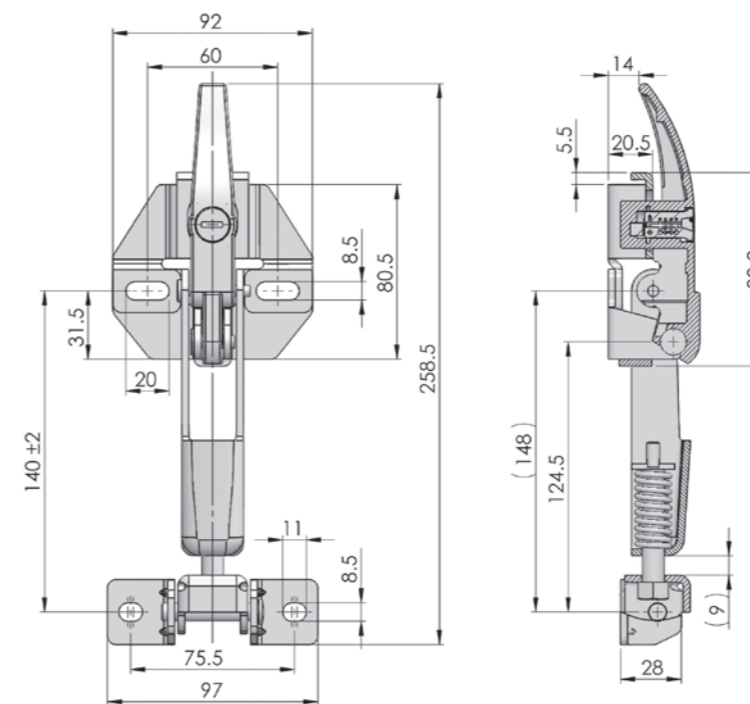
**Main material and finish:** Wire-drawing polishing stainless steel handle, white zinc-plated steel bracket

**Performance parameter:**  
Maximum static load: 810N



ERP DK638S4B000001

**DK636-2**



ERP DK636Z2A342001

**Application example**



Accessories  
Electronic lock  
Handle lock  
Cylinder lock  
Plane lock  
Rod control lock  
Panel lock  
Toggle and hook  
Handles  
Door stop  
Hinge  
Seal gasket

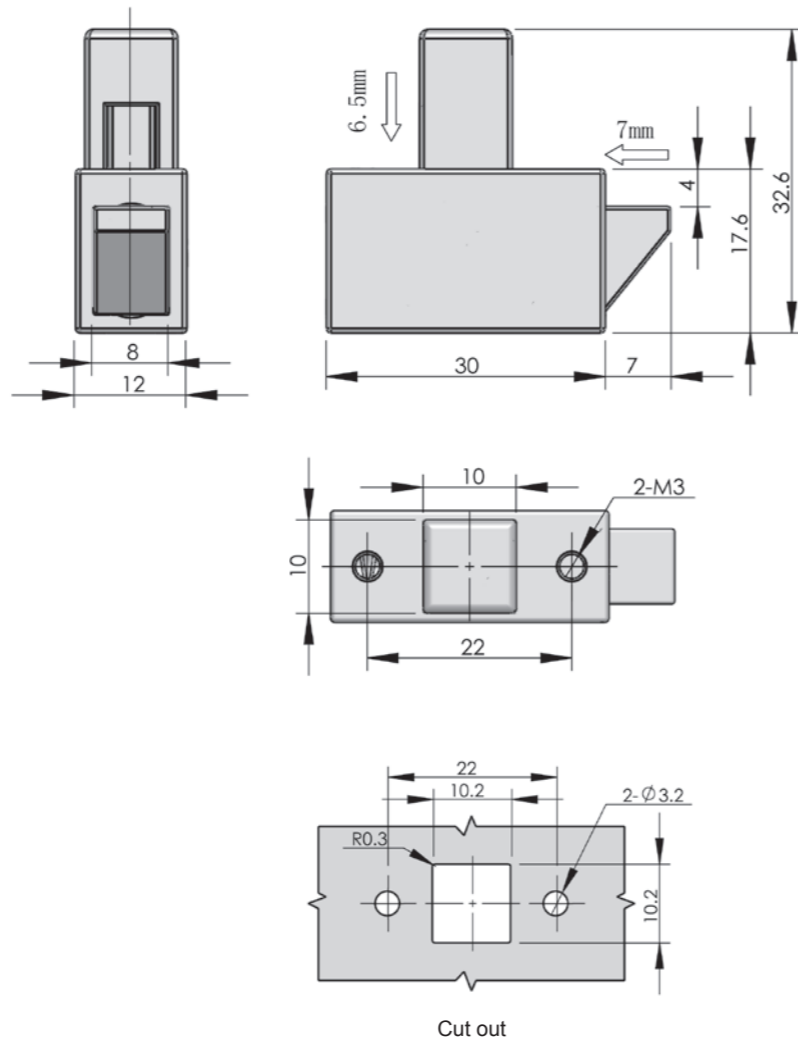
Accessories  
Electronic lock  
Handle lock  
Cylinder lock  
Plane lock  
Rod control lock  
Panel lock  
Toggle and hook  
Handles  
Door stop  
Hinge  
Seal gasket

**DK637**



**Main material and finish:** Nickel plated ZDC housing, button and lock tongue  
**Application:** When the button presses the form 6.5, the lock tongue shrinks to 7

**Performance parameter:**  
**Maximum static load:** 400N



ERP

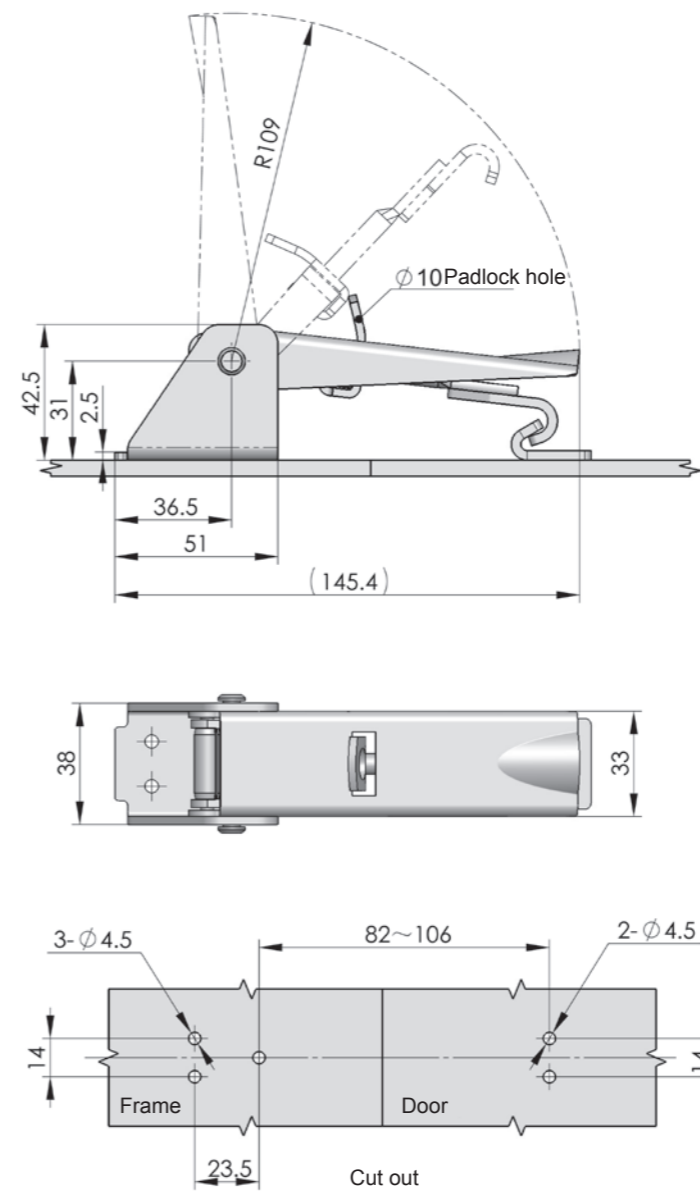
DK637Z3G000001

**DK639**



**Main material and finish:** Trivalent white-zinc steel body

**Performance parameter:**  
**Maximum static load:** 570N



ERP

DK639F3D000001

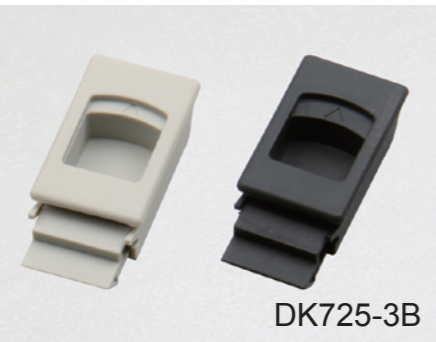
Accessories  
Electronic lock  
Handle lock  
Cylinder lock  
Plane lock  
Rod control lock  
Panel lock  
Toggle and hook  
Handles  
Door stop  
Hinge  
Seal gasket

Accessories  
Electronic lock  
Handle lock  
Cylinder lock  
Plane lock  
Rod control lock  
Panel lock  
Toggle and hook  
Handles  
Door stop  
Hinge  
Seal gasket

DK725



DK725-1  
DK725-2

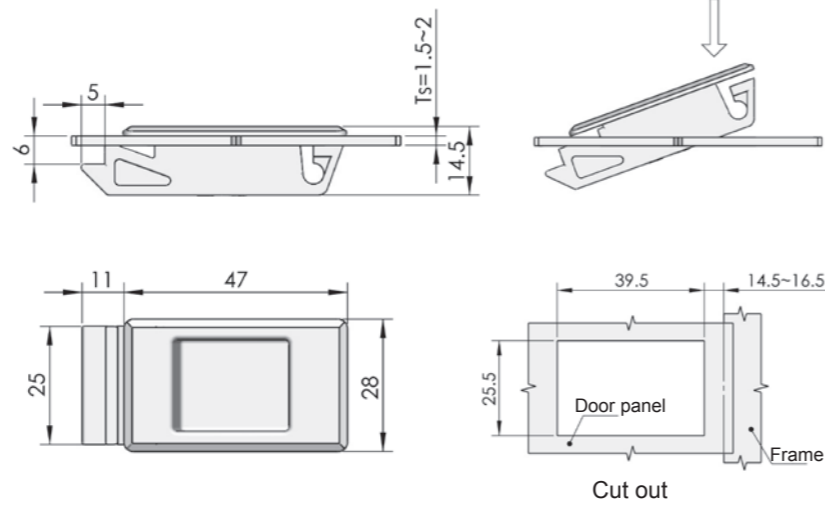


DK725-3B

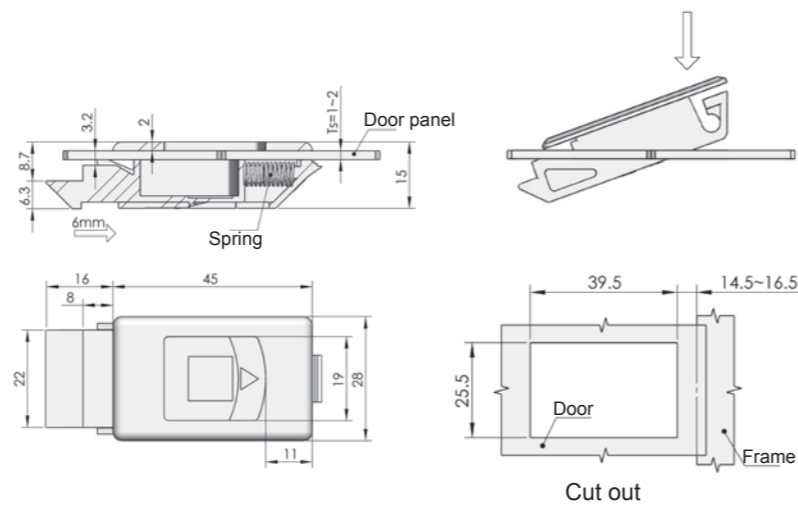
Main material: ABS toggle or PA toggle

Performance parameter:  
Maximum static load: 300N

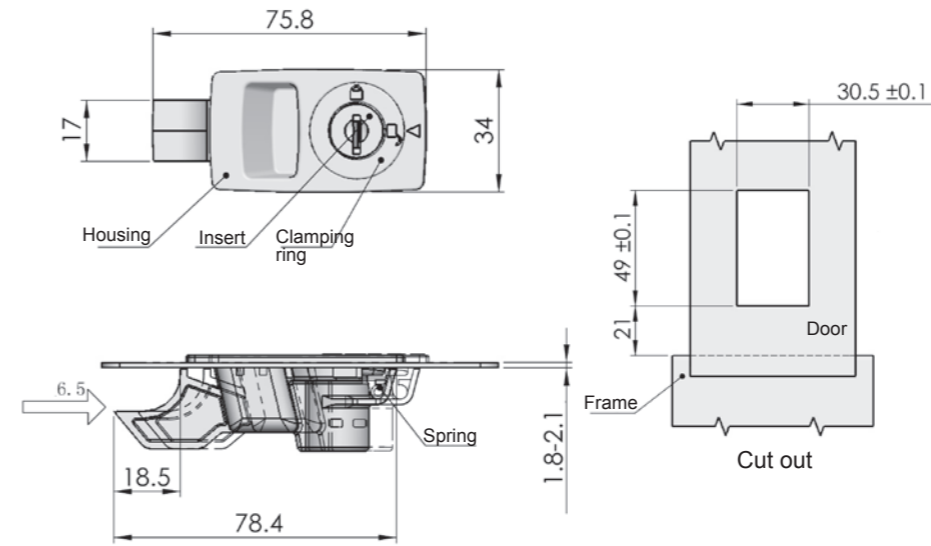
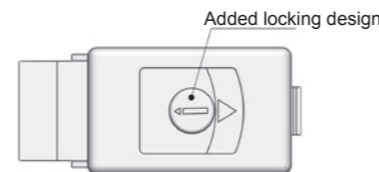
DK725-1  
DK725-2



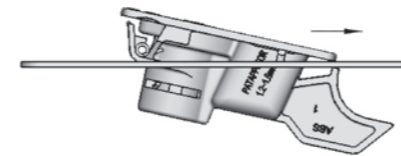
DK725-3B



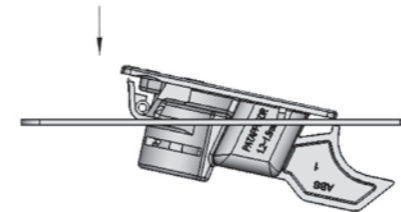
DK725-3C



Insert the front of the toggle to the hole and press it



Make the door in the right position



DK725-5



Main material and finish: stainless steel housing module, hard chrome plated steel insert nodule

Application: RH or LH door has different toggle. It applies to car battery latch system. Release lever designed by user

Performance parameter:  
Maximum static load: 500N

Specification	Model	ERP	
		ABS Silver	ABS Black
T=1.5	DK725-1	DK725N00000001	DK725N00000002
T=2	DK725-2	DK725N00000003	DK725N00000004
T=1~2	DK725-3B	DK725N00000010	DK725N00000006
T=1~2	DK725-3C	DK725N00000011	DK725N00000007

ERP

DK725N00140001

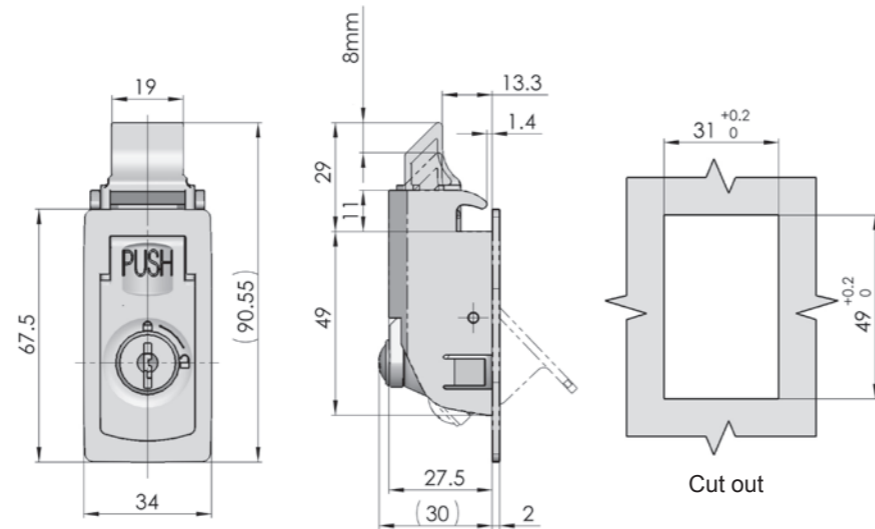
HANDLES SERIES

Accessories  
Electronic lock  
Handle lock  
Cylinder lock  
Plane lock  
Rod control lock  
Panel lock  
Toggle and hook  
Handles  
Door stop  
Hinge  
Seal gasket

DK725-7



**Main material and finish:** black PA  
**Application:** 90° clockwise rotate the key to open  
**Remark:** Default black K148 key  
**Performance parameter:**  
**Maximum static load:** 245N

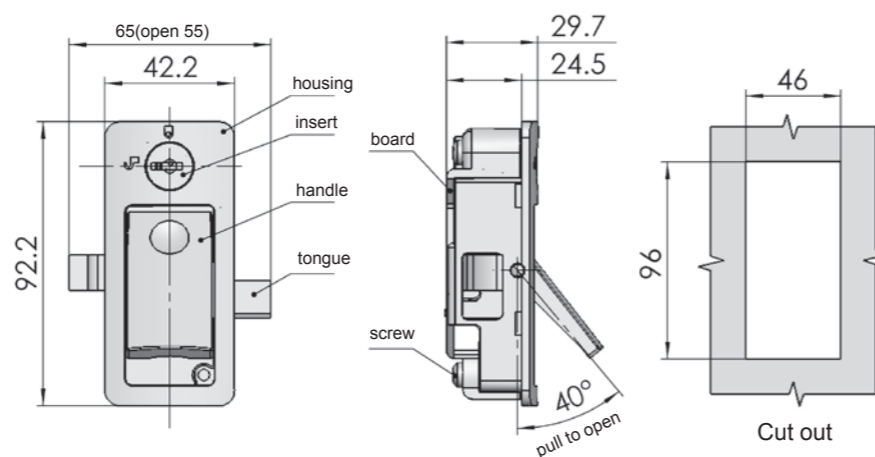


ERP DK725N00148001

DK725-8



**Main material:** ABS+PC housing, handle, PC board, insert, ABS latch, tongue, stainless steelscrew  
**Finish:** black Instructure Turn the insert to the left, pull the handle for open  
**Remark:** default key K164  
**Performance parameter:**  
**Maximum static load:** 480N



ERP DK725N00164001

LS501	LS503	LS504-1	LS504-2	LS504-3
LS505	LS506	LS507	LS508	LS509
LS510	LS511	LS513	LS515	LS514-1
LS514-2	LS514-3-4-5	LS516	LS516-2A	LS518
LS519	LS520	LS521	LS522	LS532