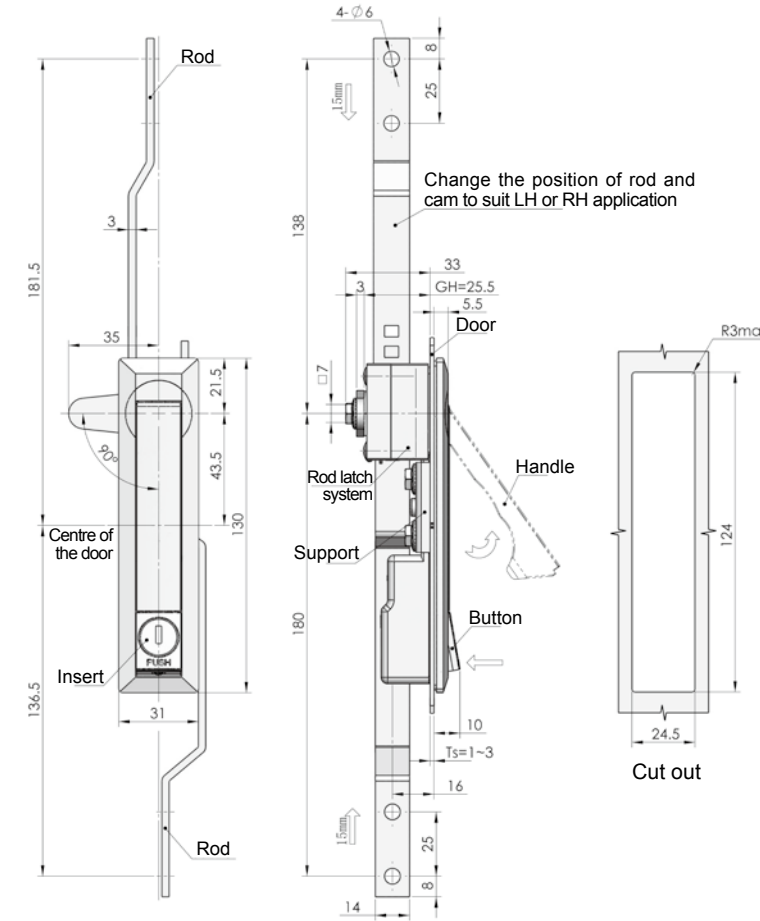


ROD CONTROL LOCK SERIES



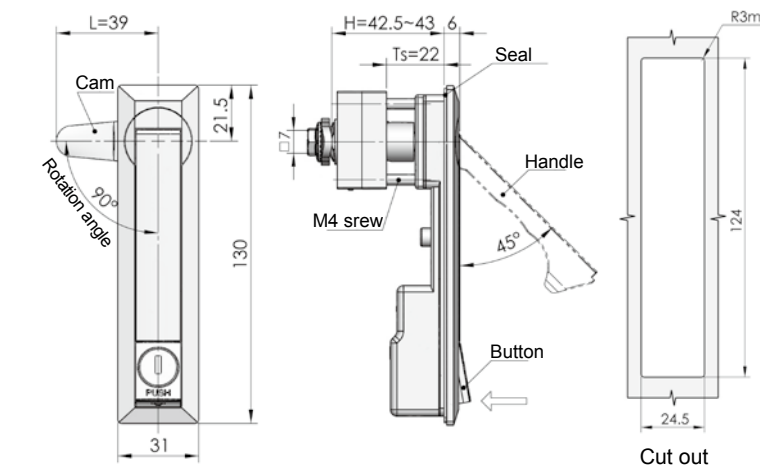
MS731-1



| | Black painted housing, handle | Nanometer painted housing, handle |
|-----|-------------------------------|-----------------------------------|
| ERP | MS731Z2A060001 | MS731Z2B060001 |

Remark: Default cam S1A3500

MS731-2



| | Black painted housing, handle | Nanometer painted housing, handle |
|-----|-------------------------------|-----------------------------------|
| ERP | MS731Z2A060003 | MS731Z2B060003 |

Remark: Default cam S1A3900

MS731-1



MS731-2



Main material and finish: ZDC housing, handle, button and rod latch, white zinc-plated steel cam and rod

Application: 90 degree rotation to open or close

Remark: Default key K060

Performance parameter:

Handle load tension capability: ≤350N

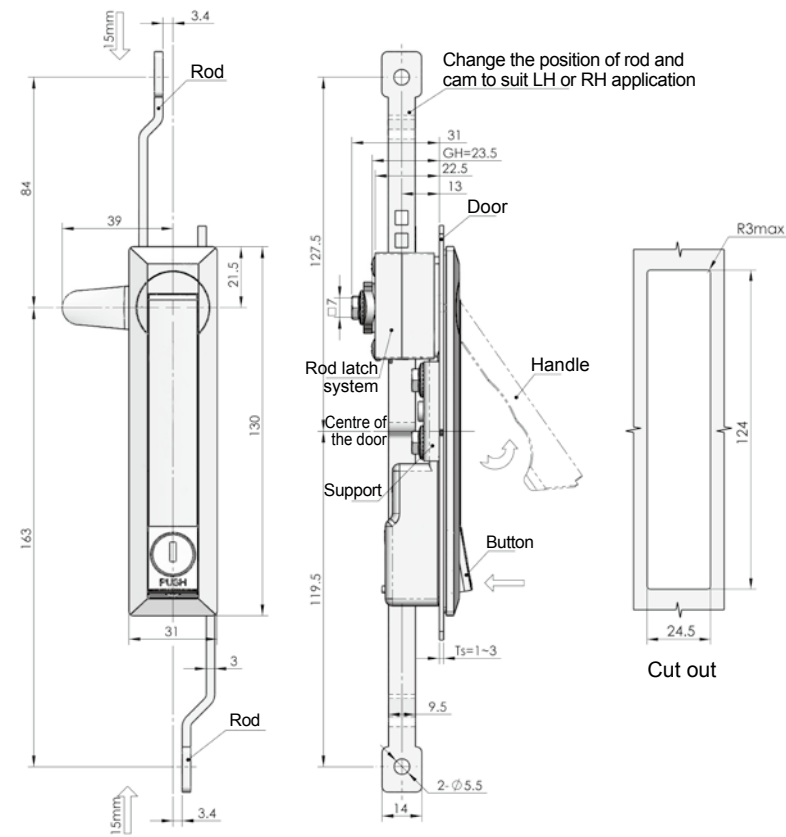
Handle load torque capability: ≤25N.m

- Accessories
- Electronic lock
- Handle lock
- Cylinder lock
- Plane lock
- Rod control lock**
- Panel lock
- Toggle and hook
- Handles
- Door stop
- Hinge
- Seal gasket

MS731-3



MS731-3



MS731-4



Main material and finish: ZDC housing, handle, button and rod latch, white zinc-plated steel cam

Application: 90 degree rotation to open or close

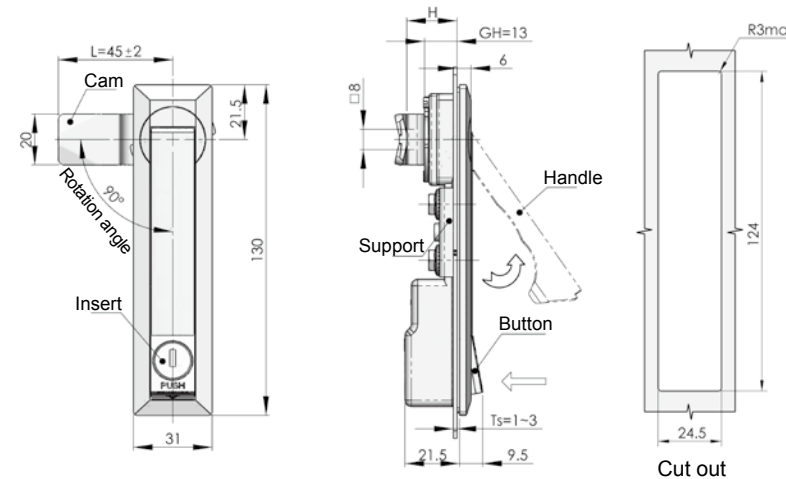
Remark: Default Key K060

Performance parameter:

Handle load tension capability: ≤350N

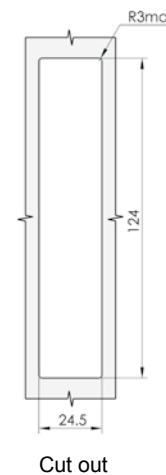
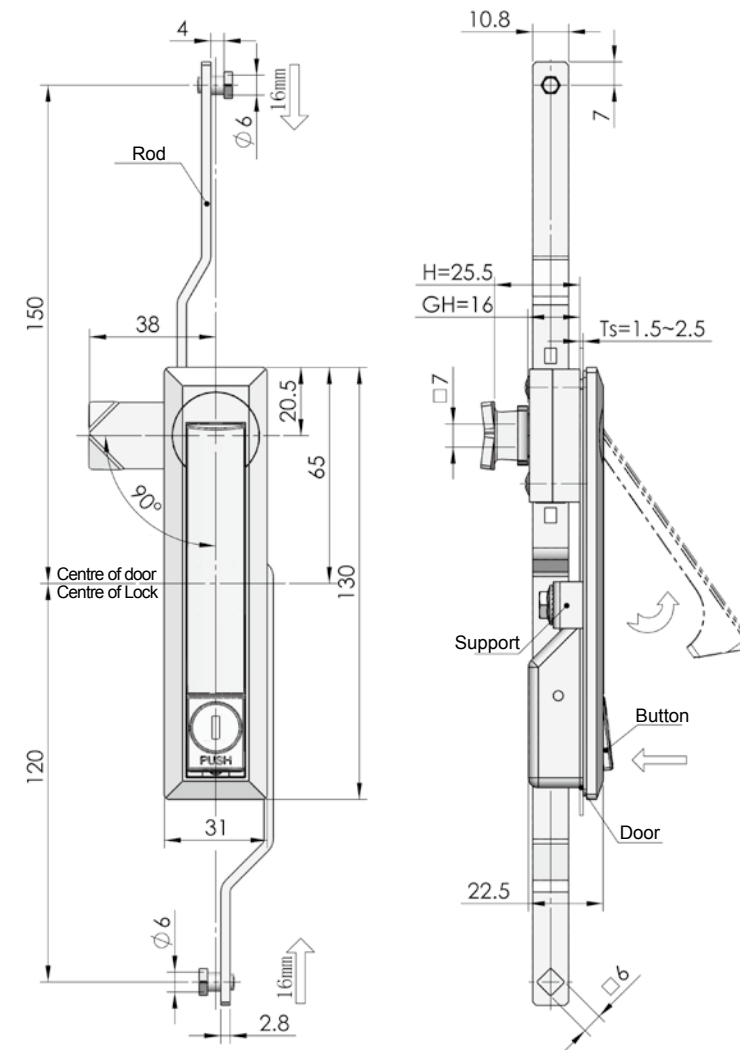
Handle load torque capability: ≤25N.m

MS731-4



| | Black painted housing, handle | Nanometer painted housing, handle |
|------------|-------------------------------|-----------------------------------|
| ERP | MS731Z2B060027 | MS731Z2B060023 |

Remark: Default cam S1B4507 (Optional cam 8*8)



Remark: Change rod and cam position to suit RH or LH application

| Specification | Model | ERP |
|---------------|-----------|----------------|
| LH | MS731-6-Z | MS731Z2B060007 |
| RH | MS731-6-Y | MS731Z2B060008 |

Remark: Default cam S1A3810

MS731-6



Main material and finish: Nanometer -painted ZDC housing, handle, button and support, white zinc-plated steel cam and rod latch, steel rod

Application: Insert 180 degree rotation to open, press the button, the handle bounce automatically, rotation handle to open or close the door plate

Remark: Default key K060

Performance parameter:

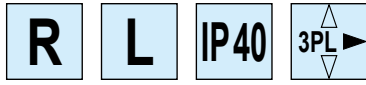
Handle load tension capability: ≤350N

Handle load torque capability: ≤25N.m

Accessories
Electronic lock
Handle lock
Cylinder lock
Plane lock
Rod control lock
Panel lock
Toggle and hook
Handles
Door stop
Hinge
Seal gasket

Accessories
Electronic lock
Handle lock
Cylinder lock
Plane lock
Rod control lock
Panel lock
Toggle and hook
Handles
Door stop
Hinge
Seal gasket

MS820

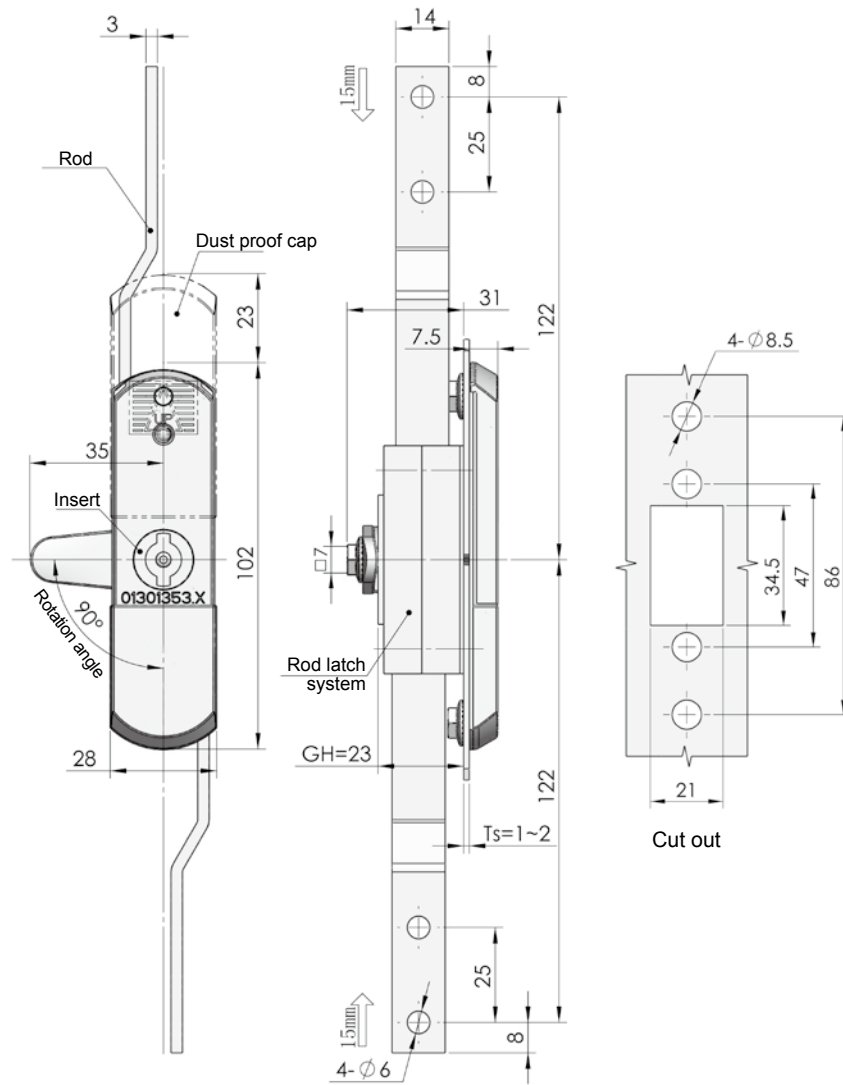


Main material and finish: Nanometer painted ZDC panel, dust-proof cap and insert, white zinc-plated steel cam and rod latch

Application: Quarter-turn rotation to open or close

Remark: Optional key K15-1

Performance parameter:
input torque: ≤9N.m

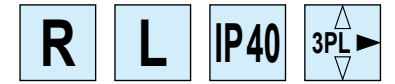


Remark: Keep rod and rod latch in place while removing the cam and insert, rotating the rod latch in 180° to suit RH or LH application

| Specification | Model | ERP |
|----------------|---------|----------------|
| Hooked | MS820-1 | MS820Z2BT03001 |
| Triangular 8mm | MS820-3 | MS820Z2BT04001 |
| Cross insert | MS820-4 | MS820Z2BE02001 |

Remark: Default cam S1A3500

MS820-1A

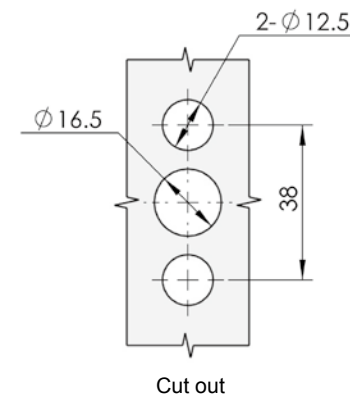
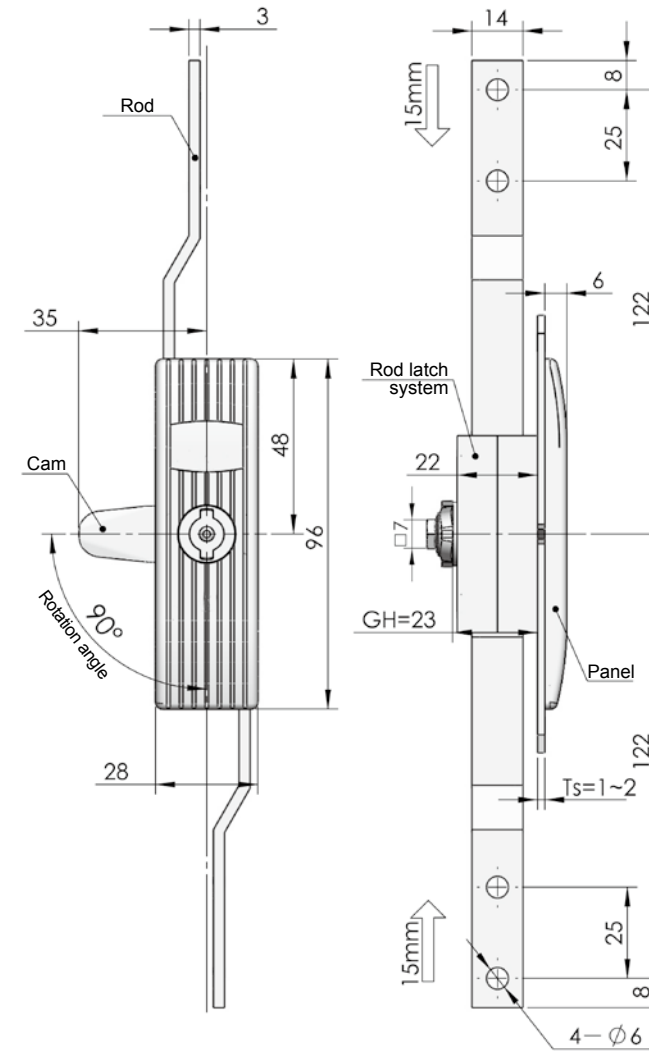


Main material and finish: Nanometer painted ZDC insert and ABS panel, white zinc-plated steel cam and rod latch

Application: Quarter-turn rotation to open or close

Remark: Optional key K15-1

Performance parameter:
input torque: ≤3N.m

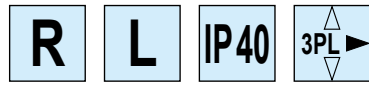


Remark: Keep rod and rod latch in place while removing the cam and insert, rotating the rod latch in 180° to suit RH or LH application

ERP MS820N2BT03001

Remark: Default cam S1A3500

MS821

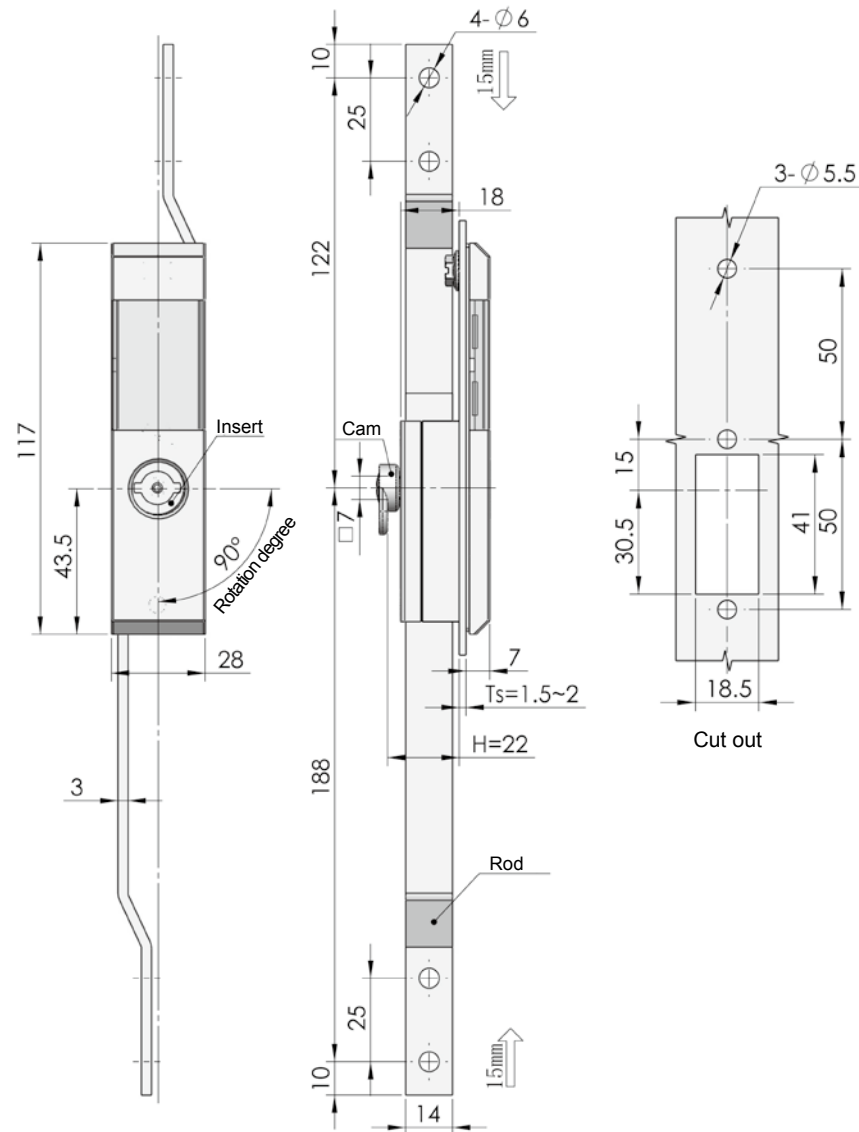


Main material and finish: Bright chrome plated ZDC insert, yellow gray ABS panel, white zinc-plated steel cam and ZDC rod latch, steel rod

Application: Insert quarter-turn rotation combines with rod latch system to open or close

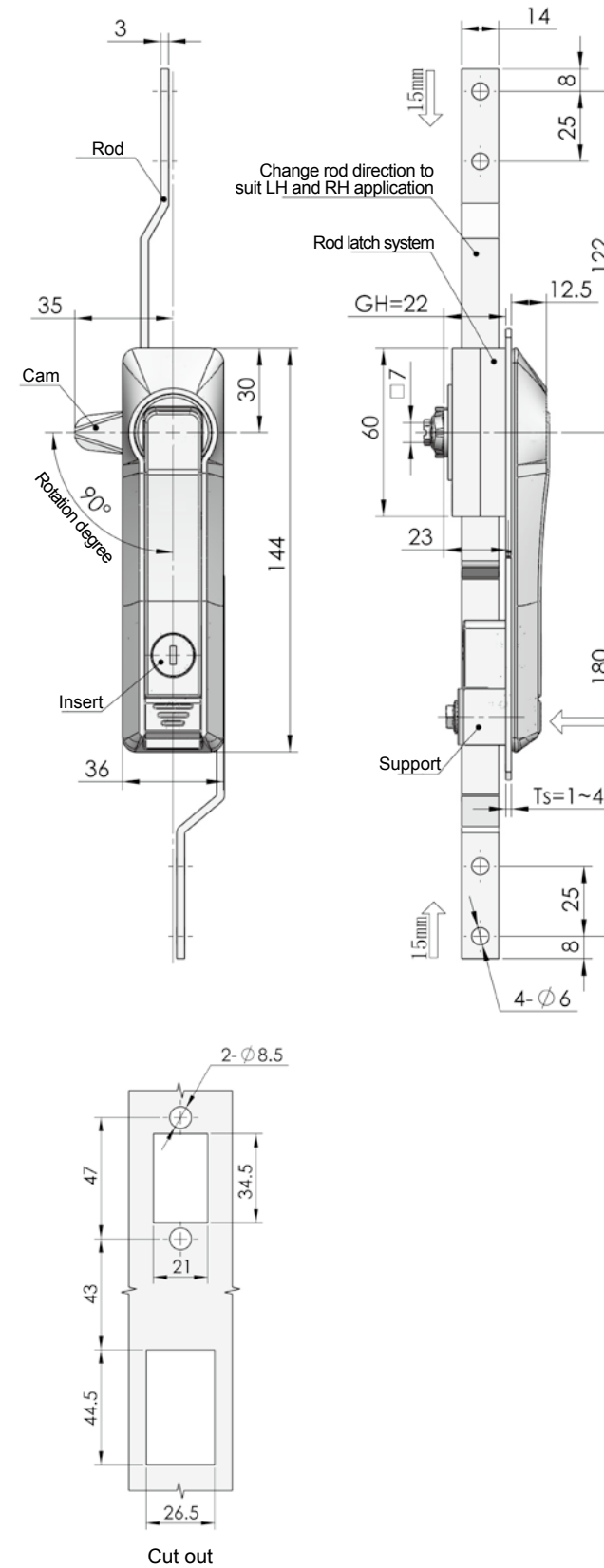
Remark: Optional key K15-1

Performance parameter:
input torque: $\leq 3\text{N.m}$



Remark: Change rod and cam position to suit RH or LH application

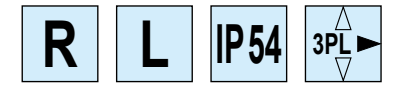
| | |
|-----|----------------|
| ERP | MS821N00T01001 |
|-----|----------------|



| | | |
|-----|--------------------------|----------------|
| | Matt black powder coated | Nanometer |
| ERP | MS828Z1A100001 | MS828Z2B100017 |

Remark: Default cam S1A3500

MS828



Main material and finish: Nanometer painted ZDC housing, handle, and button, ZDC support, white zinc-plated steel cam and rod latch, steel rod

Application: Insert 180 degree rotation to open, press the button, the handle bounce automatically, handle turn combines with rod latch system to open or close

Remark: Default key K100

Performance parameter:
Handle load tension capability: $\leq 340\text{N}$
Handle load torque capability: $\leq 28\text{N.m}$

Accessories
Electronic lock
Handle lock
Cylinder lock
Plane lock
Rod control lock
Panel lock
Toggle and hook
Handles
Door stop
Hinge
Seal gasket

Accessories
Electronic lock
Handle lock
Cylinder lock
Plane lock
Rod control lock
Panel lock
Toggle and hook
Handles
Door stop
Hinge
Seal gasket

MS830

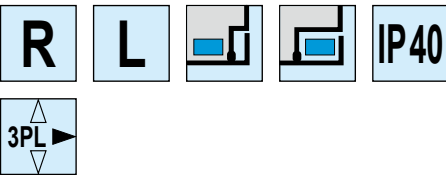


Finish: Yellow gray powder coated housing, black powder coated handle and shaft

MS830-3



Finish : Nanometer painted



Main material and finish: ZDC housing, handle, and dust-proof cap, white zincplated steel cam and rod-latch

Application: Handle quarter-turn combines with rod latch system to open or close

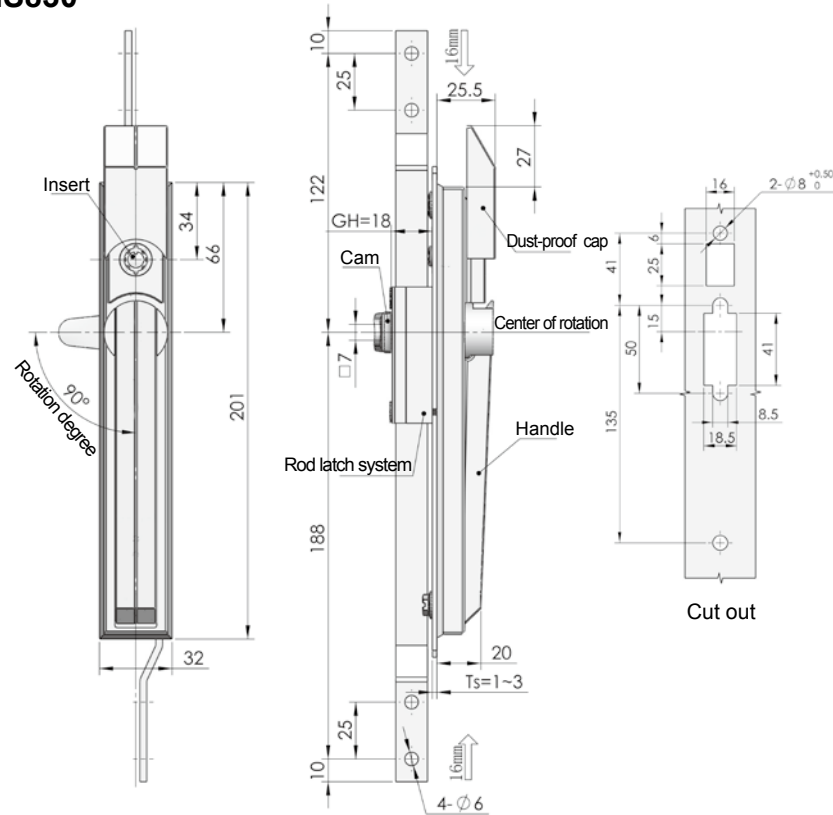
Remark: MS830 default key K580
MS830-3 default key K140

Performance parameter:

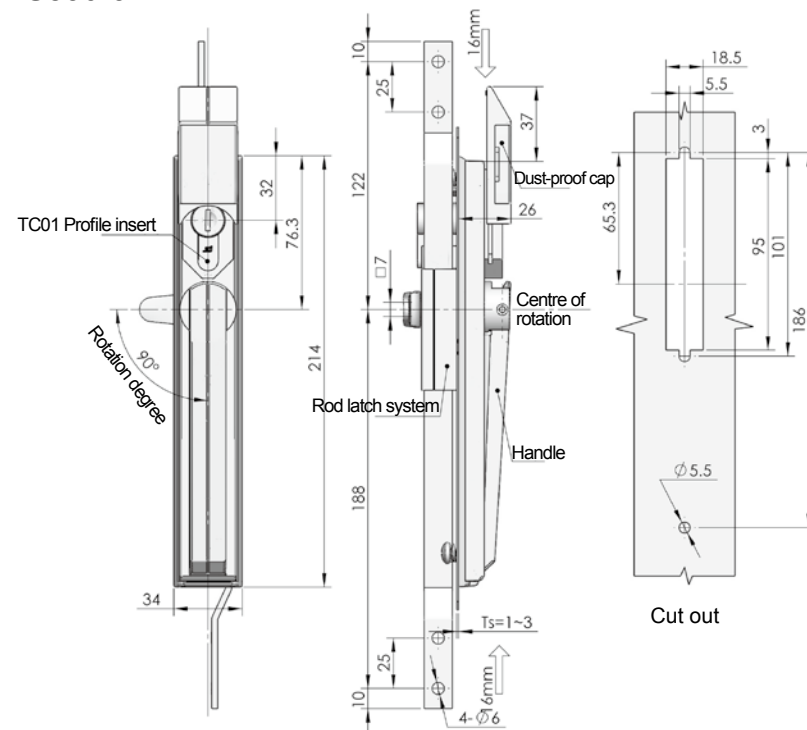
MS830:
Handle load tension capability: $\leq 225N$
Handle load torque capability: $\leq 14N.m$

MS830-3:
Handle load tension capability: $\leq 325N$
Handle load torque capability: $\leq 20N.m$

MS830



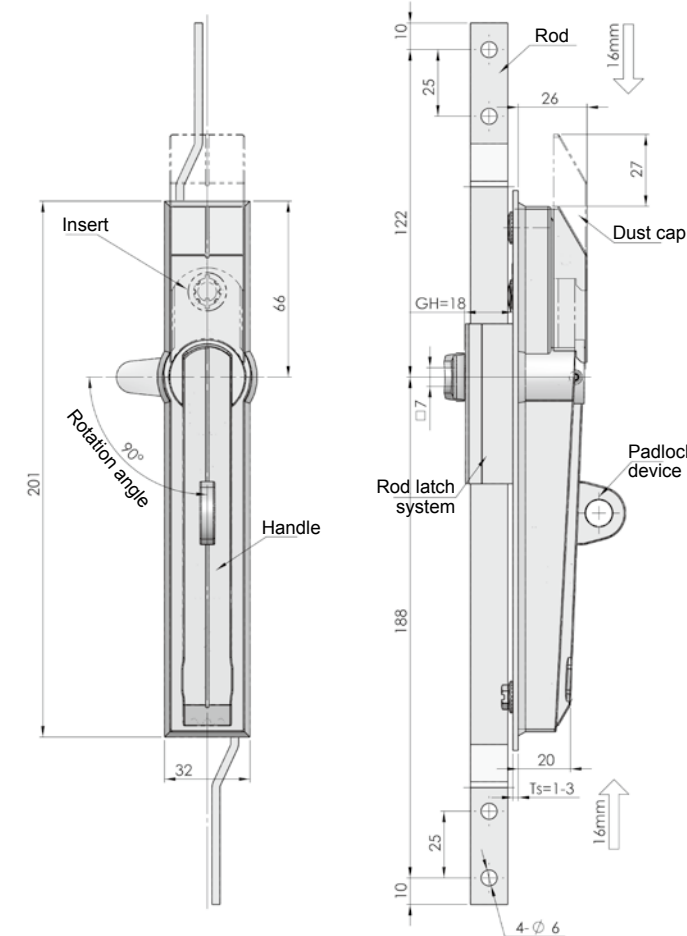
MS830-3



Remark: Change rod and cam position to suit RH or LH application

| | MS830 | MS830-3 |
|-----|----------------|----------------|
| ERP | MS830Z1EE04001 | MS830Z2B140003 |

Remark: Default cam S1A3500



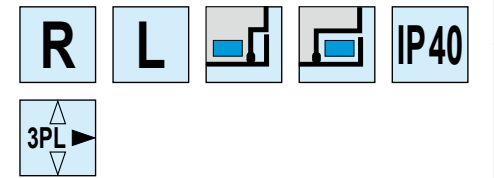
The advantage of MS830-6 when compare with MS830

1. Promote the reliability of latch function and theft-prevent function
2. Handle can bounce after open the lock

| Specification | Model | ERP |
|--|------------|----------------|
| with padlock device, insert with self-reset function | MS830-6-2P | MS830Z2BE04031 |
| without padlock device, insert with self-reset function | MS830-6-2 | MS830Z2BE04030 |
| with padlock device, insert without self-reset function | MS830-6-1P | MS830Z2BE04023 |
| without padlock device, insert without self-reset function | MS830-6-1 | MS830Z2BE04022 |

Remark: Default cam S1A34Y05001

MS830-6



Main material and finish: Nanometer-painted ZDC housing and dust cap, black painting ZDC handle and shaft, ZDC rod latch, steel rod, cam and connection

Remark: Default K580 key

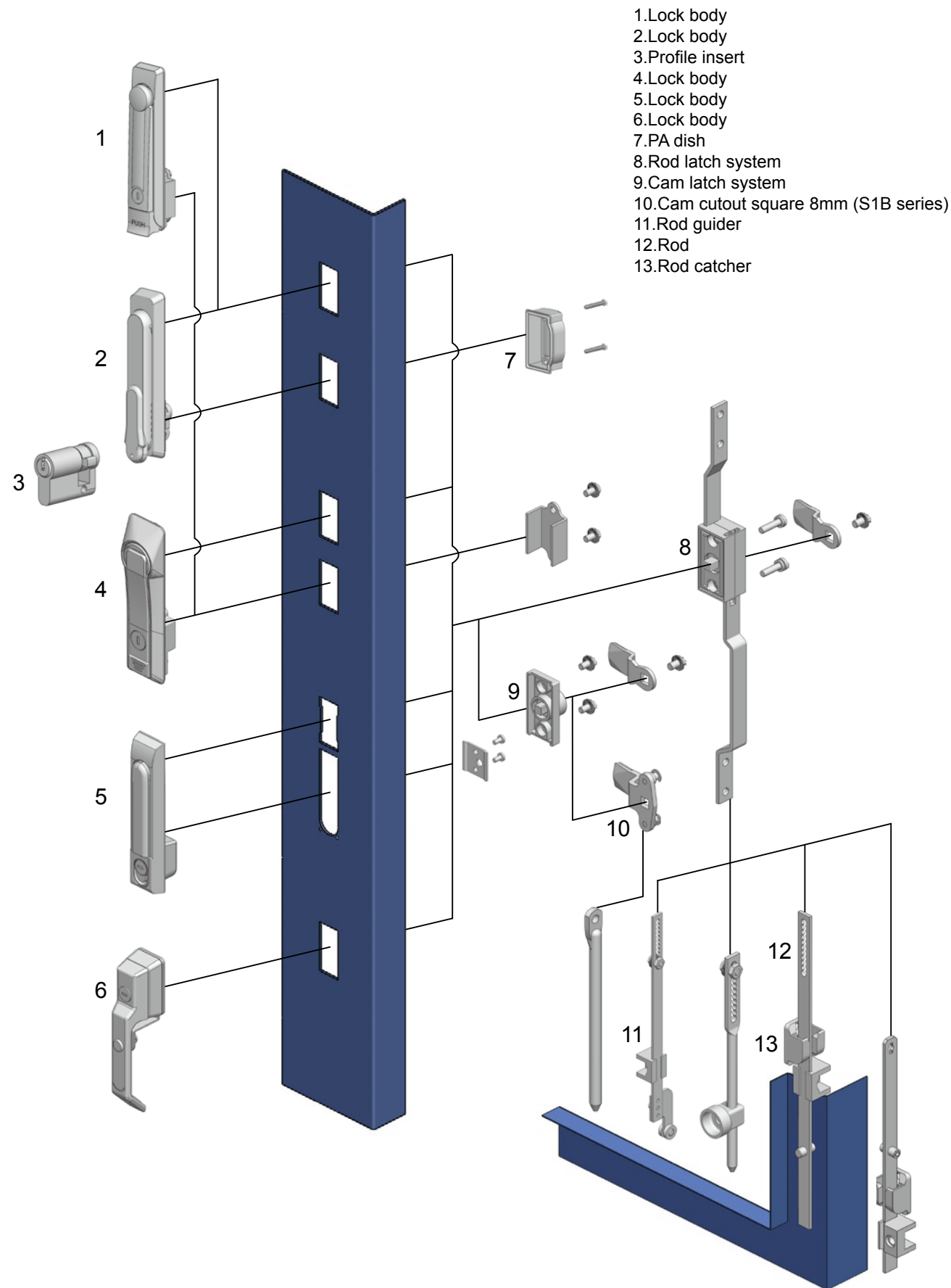
Default cam: S1A34Y05001

Performance parameter:

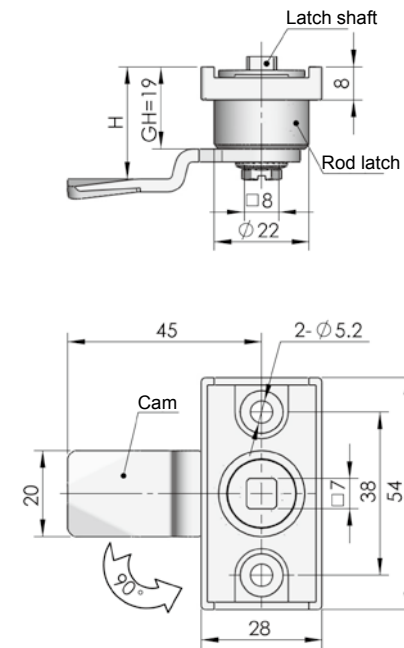
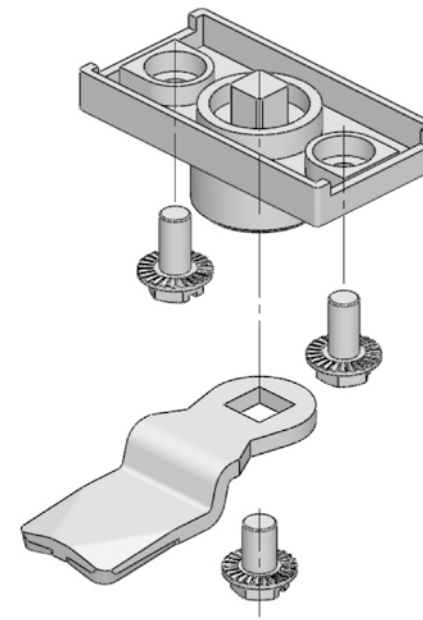
Handle load tension capability: $\leq 315N$
Handle load torque capability: $\leq 22N.m$

Accessories
Electronic lock
Handle lock
Cylinder lock
Plane lock
Rod control lock
Panel lock
Toggle and hook
Handles
Door stop
Hinge
Seal gasket

Accessories
Electronic lock
Handle lock
Cylinder lock
Plane lock
Rod control lock
Panel lock
Toggle and hook
Handles
Door stop
Hinge
Seal gasket

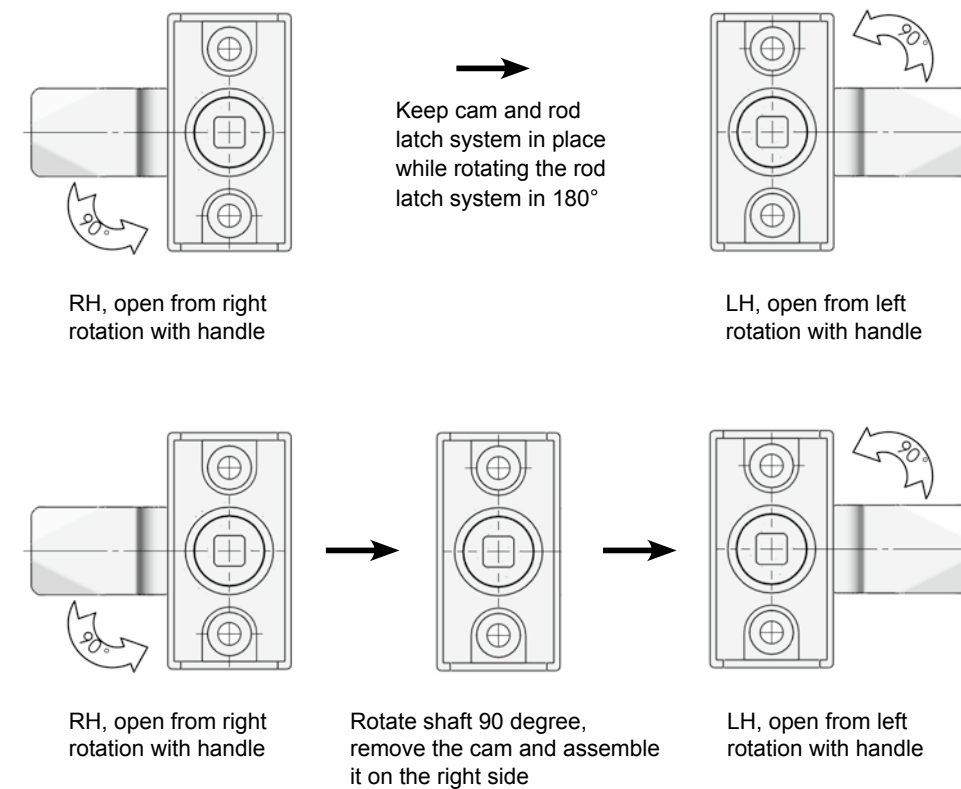


Cam latch system Mb90



Remark: Default rod latch system, closing position, quarter-turn rotation, cam cutout square 8mm, optional cam series S1B, S2B, S3B, detailed cam list on P007
 Default one-point cam S1B4507, H=19+7, length 45
 Default three-point cam S3B4510, H=19+10

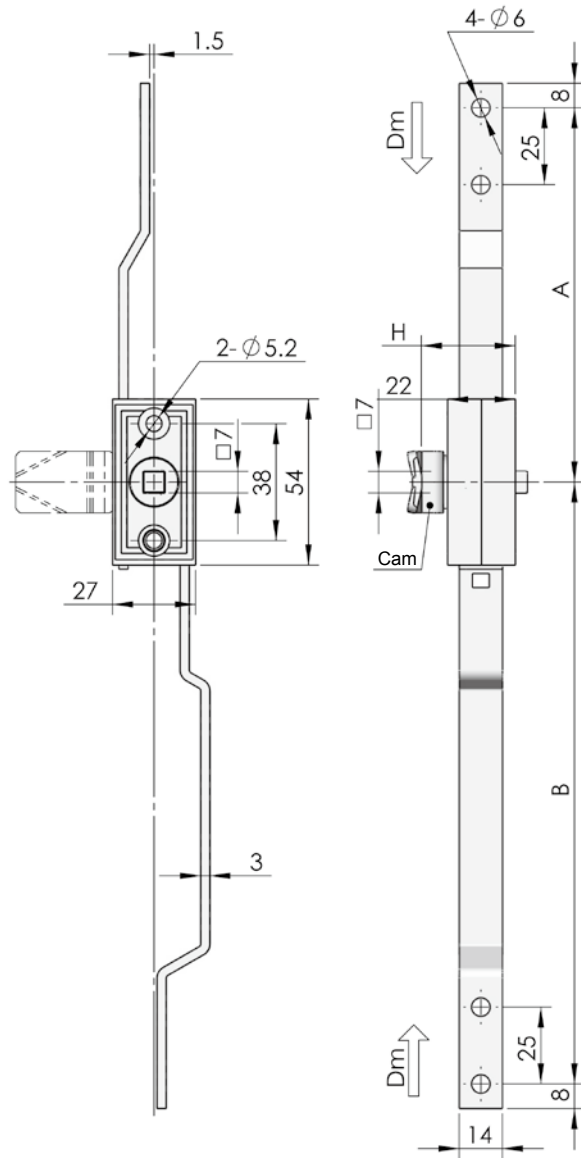
RH and LH application example



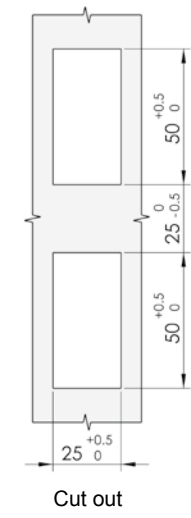
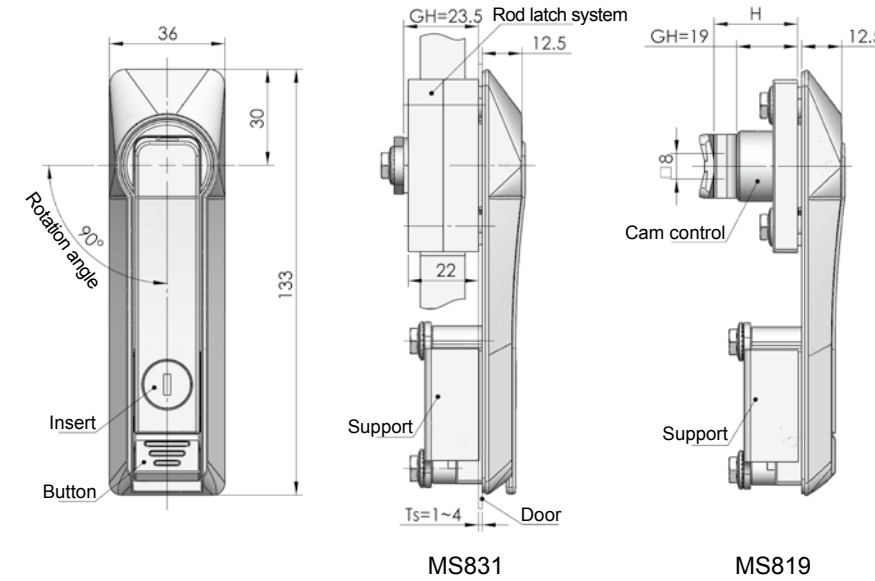
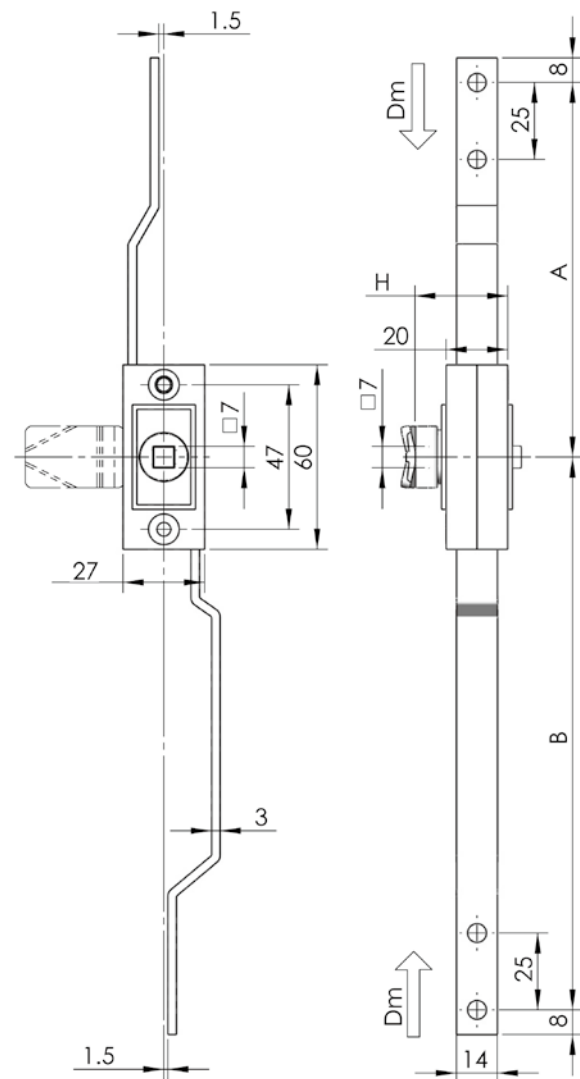
Accessories
Electronic lock
Handle lock
Cylinder lock
Plane lock
Rod control lock
Panel lock
Toggle and hook
Handles
Door stop
Hinge
Seal gasket

Accessories
Electronic lock
Handle lock
Cylinder lock
Plane lock
Rod control lock
Panel lock
Toggle and hook
Handles
Door stop
Hinge
Seal gasket

**Mb0 Series
Mb2 Series**

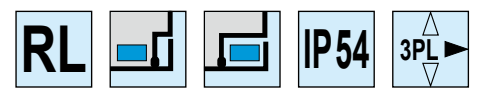


Mb1 Series



Optional Accessories:
See cam latch system Mb9 series on P174
Rod latch system Mb0 series on P175

Remark: Mb0 series transmission mechanism, the corresponding B size of 180



Main material and finish: Black painted ZDC housing ,handle and button,white zinc-plated steel cam and combines with rod latch system

Application: Handle quarter-turn combines with rod latch system to open or close

Remark: Default key K040

Default cam: S1A35Y00001 (Rod latch type)
S1B45Y07002 (Cam type)

Performance parameter:
Handle load tension capability: ≤280N
Handle load torque capability: ≤30N.m
Maximum static load: 270N (cam type)

Remark: Without rod latch system, use for seal door-outside, cam cutout 7mm, optional cam S1A cam series, see detailed cam list on P007. Default cam S1A3500, H=GH, length 35.
Keep rod and rod latch in place, remove the cam and insert, and rotate rod latch system in 180 degree to suit RH or LH application

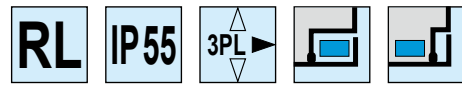
Dm: Rod stroke
Ra: Rotation angle code

| Rod latch system | Dm | Ra | A | B | Specification |
|------------------|----|------|-----|-----|---------------|
| Mb01 | 15 | 90° | 122 | 196 | With cam |
| Mb02 | 15 | 90° | 122 | 196 | Without cam |
| Mb03 | 15 | 90° | 138 | 196 | With cam |
| Mb04 | 15 | 90° | 138 | 196 | Without cam |
| Mb21 | 15 | 90° | 122 | 122 | With cam |
| Mb24 | 23 | 135° | 138 | 130 | Without cam |

| Rod latch system | Dm | Ra | A | B | Specification |
|------------------|----|------|-----|-----|---------------|
| Mb11 | 15 | 90° | 122 | 180 | With cam |
| Mb12 | 15 | 90° | 122 | 180 | Without cam |
| Mb13 | 20 | 115° | 130 | 188 | With cam |
| Mb14 | 23 | 120° | 130 | 188 | Without cam |

| Specification | Model | ERP |
|--|-----------|----------------|
| With button, optional rod latch system Mb01 | MS831-1 | MS831Z2A040001 |
| With button, optional rod latch system Mb02 | MS831-1-2 | MS831Z2A040003 |
| Without button, optional rod latch system Mb01 | MS831-2 | MS831Z2A040005 |
| Without button, optional rod latch system Mb02 | MS831-2-2 | MS831Z2A040006 |
| Without button | MS819-1 | MS819Z2A040009 |
| With button | MS819-2 | MS819Z2A040003 |

MS834-6

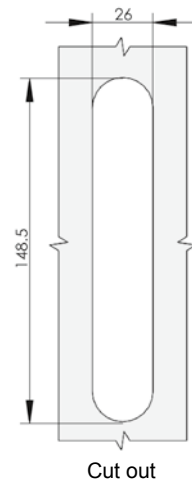
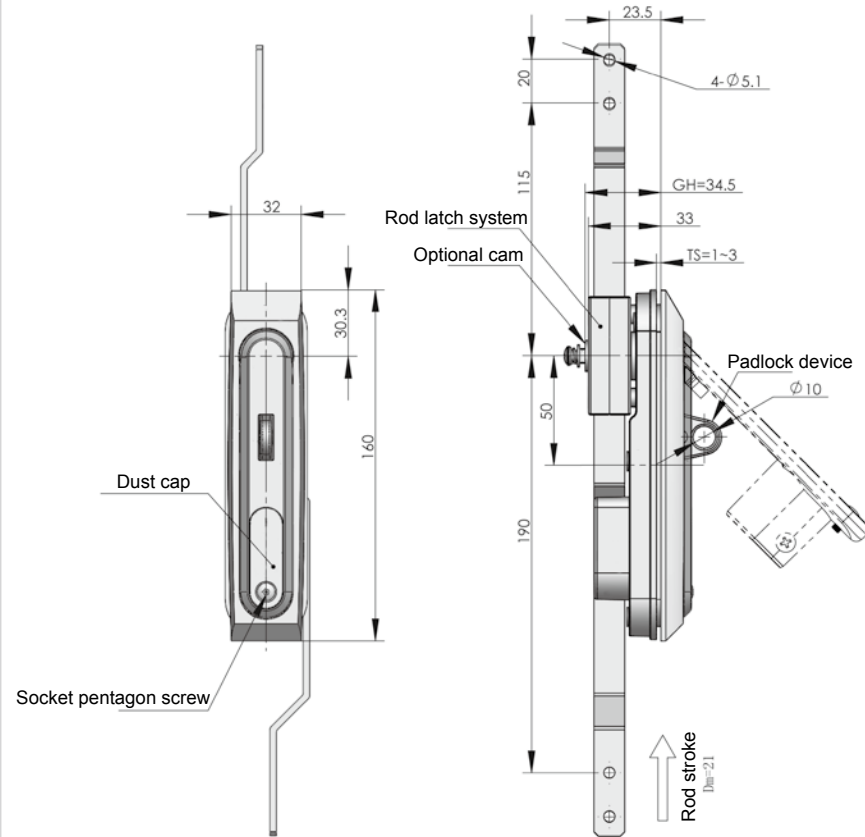


Main material and finish: Black painted (high salt mist resistant) ZDC handle and housing, bright chrome-plated ZDC profile insert, stainless steel cam and rod

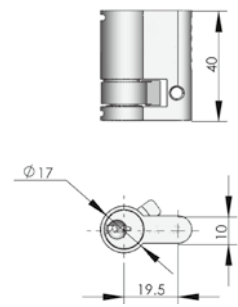
Application: Handle lift 45 degree Handle 135° rotation combines with rod latch system to open or close, change gear and rod direction to suit RH or LH application

Remark: Default profile insert TC03-5A

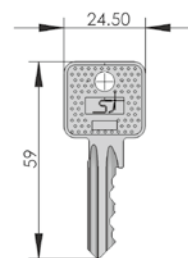
Performance parameter:
Handle load tension capability: ≤395N
Handle load torque capability: ≤33N.m
Reminder: Tighten the locks protecting cover to protect the lock



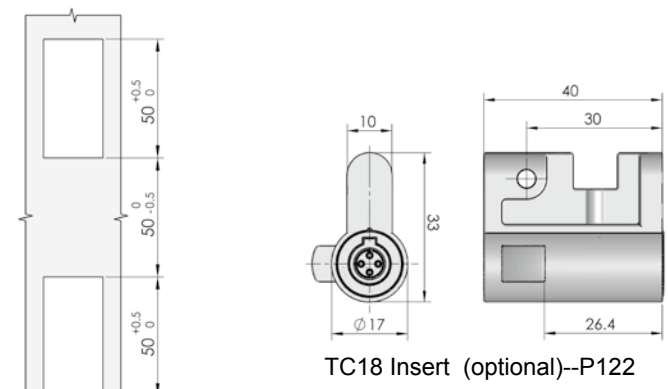
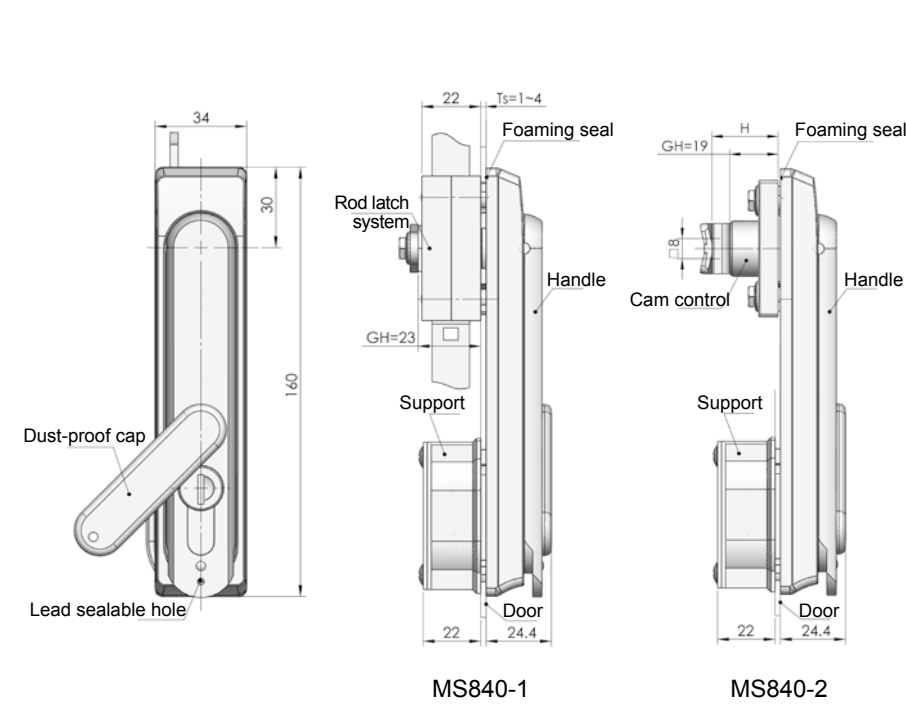
Default TC03-5A



Default Key



| | | |
|------------|------------------|------------------|
| | MS834-6-Z | MS834-6-Y |
| ERP | MS834Z2E000001 | MS834Z2E000002 |

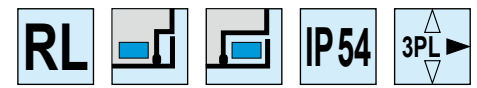


Optional accessories:
 See cam latch system Mb9 series on P174
 Rod latch system Mb0 series on P175
 TC01/TC02/TC03 profile insert on P027

Remark: PA housing or ZDC housing, default ZDC housing

| Specification | Model | ERP |
|---|------------|----------------|
| Optional rod latch system Mb01 | MS840-1 | MS840Z1B140001 |
| Optional rod latch system Mb01, padlockable | MS840-1P | MS840Z1B140002 |
| Optional rod latch system Mb02 | MS840-1-2 | MS840Z1B140019 |
| Optional rod latch system Mb02, padlockable | MS840-1-2P | MS840Z1B140020 |
| Cam latch system | MS840-2 | MS840Z1B140064 |
| Cam latch system, padlockable | MS840-2P | MS840Z1B140014 |

MS840



Main material and finish: Pocked black powder coated ZDC housing and handle, ZDC profile insert, white zinc-plated steel cam and rod

Application: 90 degree handle rotation combines with rod latch to open or close

Remark: Default key K140

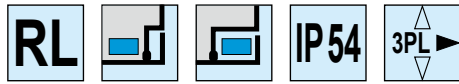
Default cam: S1A35Y00001(Rod latch type)
 S1B45Y07005 (Cam type)

Performance parameter:
Handle load tension capability: ≤400N
Handle load torque capability: ≤35N.m
Maximum static load: 270N(cam type)

Accessories
Electronic lock
Handle lock
Cylinder lock
Plane lock
Rod control lock
Panel lock
Toggle and hook
Handles
Door stop
Hinge
Seal gasket

Accessories
Electronic lock
Handle lock
Cylinder lock
Plane lock
Rod control lock
Panel lock
Toggle and hook
Handles
Door stop
Hinge
Seal gasket

MS840-4



Main material and finish: Black powder coated ZDC housing, handle, zinc-plated steel cam

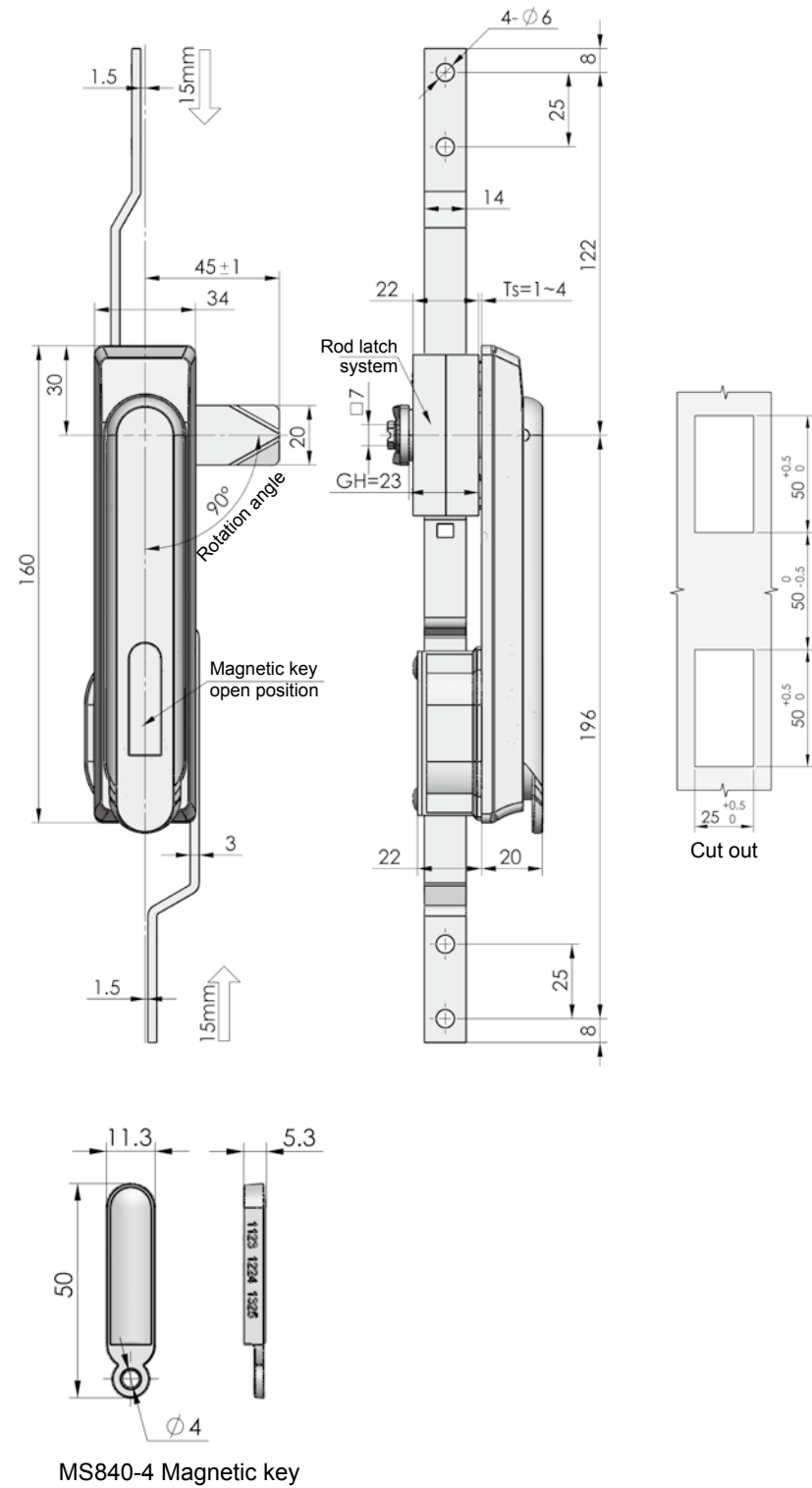
Application: 45 degree handle uplift rotation combines with cam to open or close, Open lock from left hand or right hand need change the set angle of limit part and cam

Character

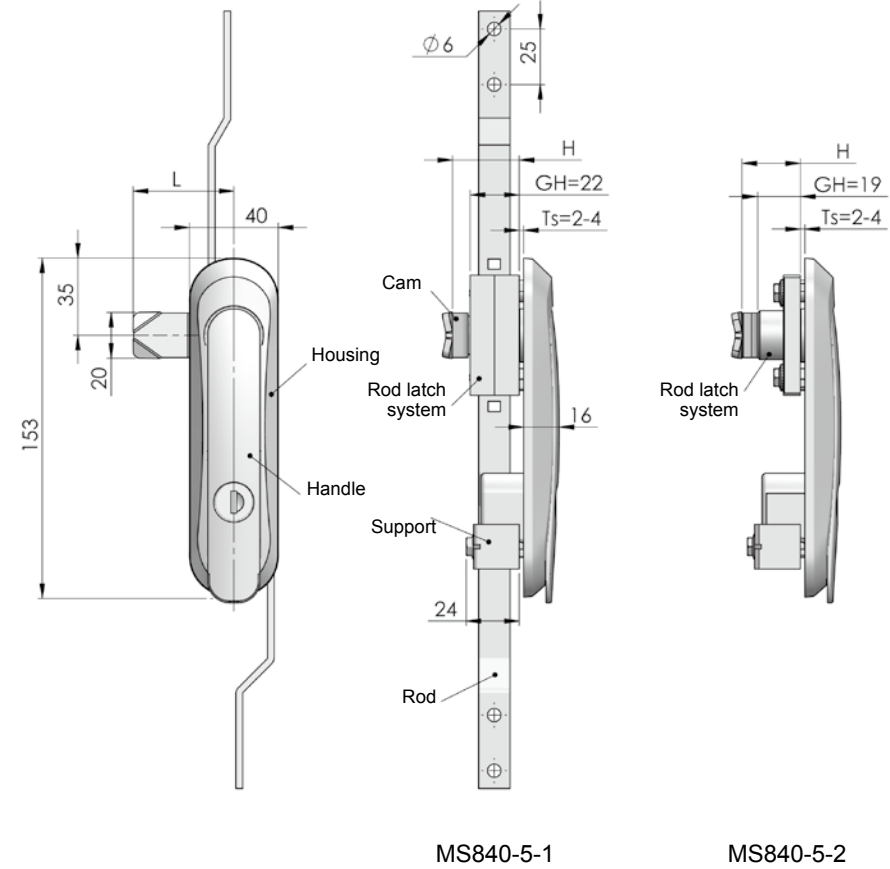
Use magnet to open or close the lock. The advantage is the lock system is not exposed and the key combinations is more than other standard inserts. Open the lock, put the magnetic key into the groove of the handle, then put up the handle.

Performance parameter:

Handle load tension capability: ≤400N
Handle load torque capability: ≤35N.m



| | |
|-----------------------------|----------------|
| ERP | MS840Z1B000006 |
| Remark: Default cam S1A4500 | |



MS840-5-1 MS840-5-2

Optional accessories:
See cam latch system Mb9 series on P174
Rod latch system Mb0 series on P175

| Model | MS840-5-1 | MS840-5-2 |
|-------|----------------|----------------|
| ERP | MS840Z2A720001 | MS840Z2A720002 |

MS840-5-1



MS840-5-2

Main material and finish: Black painted ZDC handle, housing, white zinc plated ZDC shaft, lock-tongue, steel cam, press plate and strip.

Application: Optional cam control system and rod control system

Remark: Optional key K140 and K720

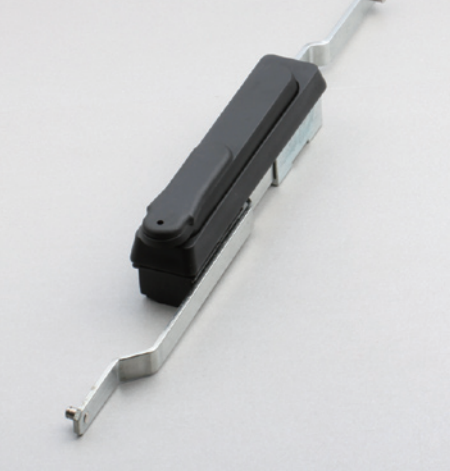
Performance parameter:

Handle load tension capability: ≤330N
Handle load torque capability: ≤26N.m
Maximum static load: 270N(cam type)

Accessories
Electronic lock
Handle lock
Cylinder lock
Plane lock
Rod control lock
Panel lock
Toggle and hook
Handles
Door stop
Hinge
Seal gasket

Accessories
Electronic lock
Handle lock
Cylinder lock
Plane lock
Rod control lock
Panel lock
Toggle and hook
Handles
Door stop
Hinge
Seal gasket

MS840-A



Main material and finish: Black PA handle, housing and dust-proof cap, white zinc-plated steel cam and rod, bright chrome-plated ZDC profile insert

Application: Handle quarter-turn rotation combines with rod latch system to open or close

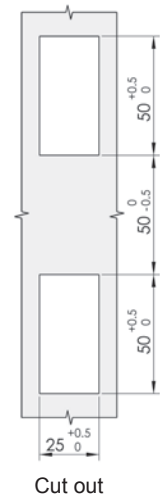
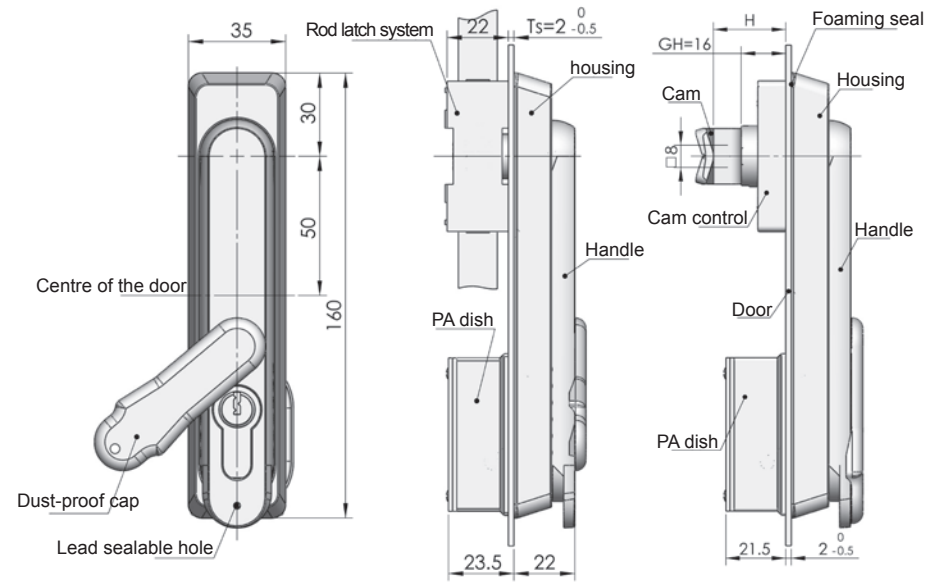
Remark: Default profile insert TC01, default key K140

Default cam: S1B45Y07002 (Cam type)

Performance parameter:

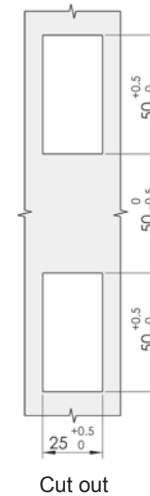
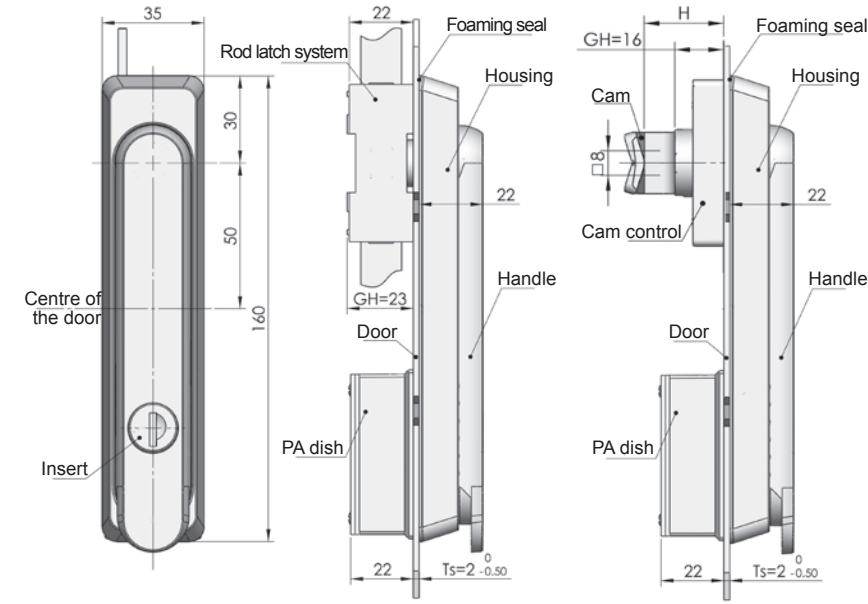
Handle load tension capability: ≤300N

Handle load torque capability: ≤33N.m



Optional Accessories:
See cam latch system Mb9 series on P174
Rod latch system Mb4 series on P192
TC01/TC02/TC03 profile insert on P027

| Specification | Model | ERP |
|---|----------|----------------|
| Rod latch system with TC series profile insert and dust-proof cap | MS840-1A | MS840N00140039 |
| Cam latch system with TC series profile insert and dust-proof cap | MS840-2A | MS840N00140033 |



Optional Accessories:
See cam latch system Mb9 series on P174
Rod latch system Mb4 series on P192

| Specification | Model | ERP |
|------------------------------|----------|----------------|
| Rod latch system with insert | MS840-1B | MS840N00140025 |
| Cam latch system with insert | MS840-2B | MS840N00140034 |

MS840-B



Main material and finish: Black PA housing, handle and dust-proof cap, white zinc-plated steel cam and rod, ZDC profile insert

Application: Handle quarter-turn combines with rod latch system to open or close

Remark: Default Key K140

Default cam: S1B45Y07002 (Cam type)

Performance parameter:

Handle load tension capability: ≤300N

Handle load torque capability: ≤33N.m

Accessories
Electronic lock
Handle lock
Cylinder lock
Plane lock
Rod control lock
Panel lock
Toggle and hook
Handles
Door stop
Hinge
Seal gasket

MS846

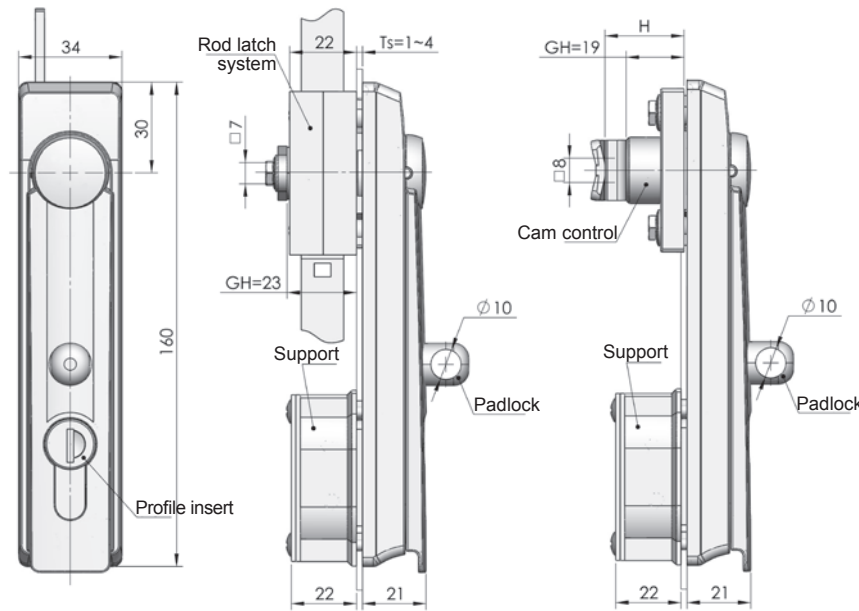


Main material and finish: Pocked black powder coated ZDC handle and housing, ZDC profile insert, white zinc-plated steel cam and rod

Application: 90 degree handle rotation combines with rod latch to open or close
Remark: Default profile insert TC01, default key K140

Default cam: S1A35Y00001(Rod latch type)
S1B45Y07002(Cam type)

Performance parameter:
Handle load tension capability: ≤235N
Handle load torque capability: ≤40N.m
Maximum static load: 270N(cam type)

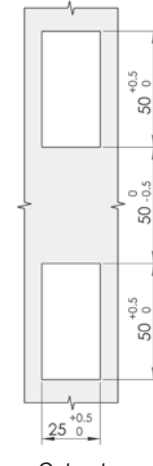
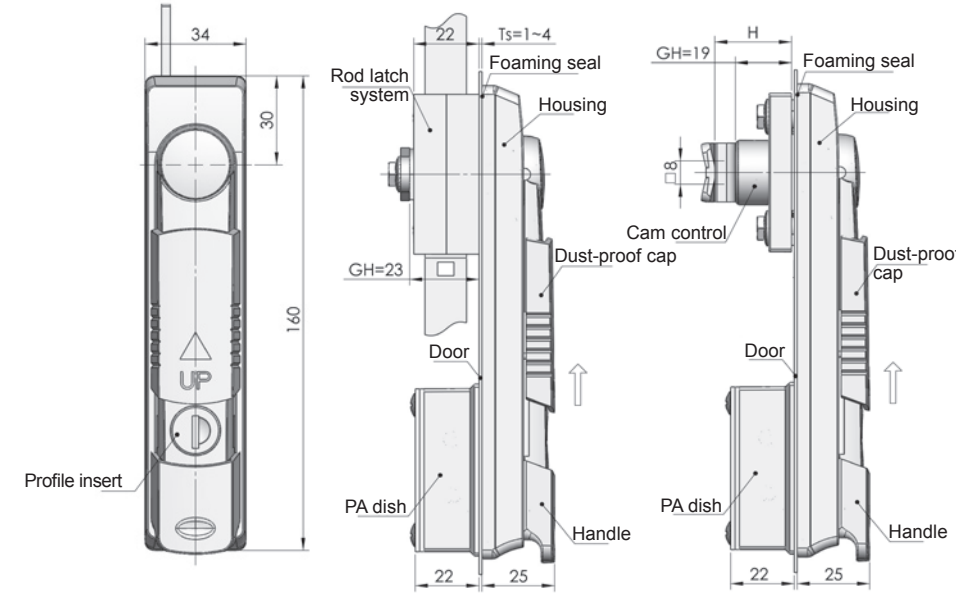


Cut out

Optional accessories:
See cam latch system Mb9 series on P174
Rod latch system Mb0 series on P175
TC01/TC02/TC03 profile insert on P027

Remark: PA housing or ZDC housing ,default ZDC housing

| Specification | Model | ERP |
|---|------------|----------------|
| Optional rod latch system Mb01 | MS846-1 | MS846Z1B140001 |
| Optional rod latch system Mb01, padlockable | MS846-1-P | MS846Z1B140002 |
| Optional rod latch system Mb02 | MS846-1-2 | MS846Z1B140005 |
| Optional rod latch system Mb02, padlockable | MS846-1-2P | MS846Z1B140007 |
| Cam latch system | MS846-2 | MS846Z1B140003 |
| Cam latch system, padlockable | MS846-2-P | MS846Z1B140004 |



Cut out

Optional accessories:
See cam latch system Mb9 series on P174
Rod latch system Mb0 series on P175
TC01/TC02/TC03 profile insert on P027

Remark : PA housing or ZDC housing, default ZDC housing

| Specification | Model | ERP |
|--------------------------------|-----------|----------------|
| Optional rod latch system Mb01 | MS848-1 | MS848Z1B140017 |
| Optional rod latch system Mb02 | MS848-1-2 | MS848Z1B140004 |
| Cam latch system | MS848-2 | MS848Z1B140010 |

MS848



Main material and finish: Pocked black powder coated ZDC handle and housing, ZDC profile insert, white zinc- plated steel cam and rod

Application: 90 degree handle rotation combines with rod latch to open or close
Remark: Default profile insert TC01, default key K140

Default cam: S1A35Y00001(Rod latch type)
S1B45Y07002(Cam type)

Performance parameter:
Handle load tension capability: ≤520N
Handle load torque capability: ≤27N.m
Maximum static load: 270N(cam type)

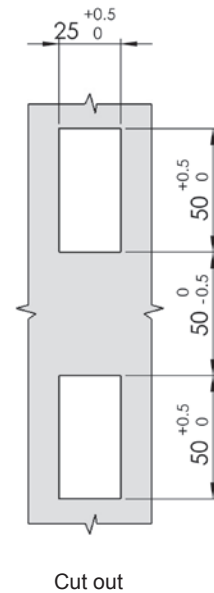
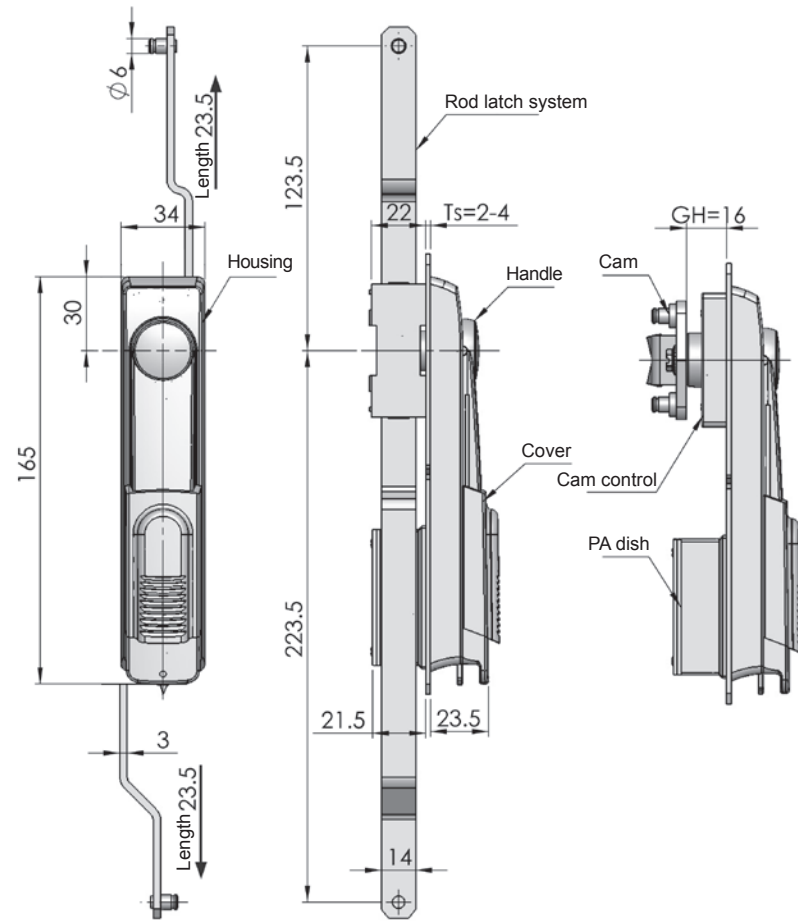
Accessories
Electronic lock
Handle lock
Cylinder lock
Plane lock
Rod control lock
Panel lock
Toggle and hook
Handles
Door stop
Hinge
Seal gasket

MS848-1E



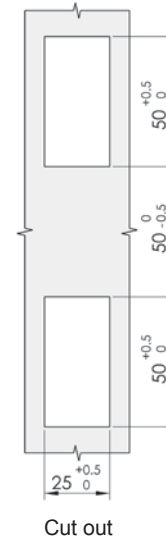
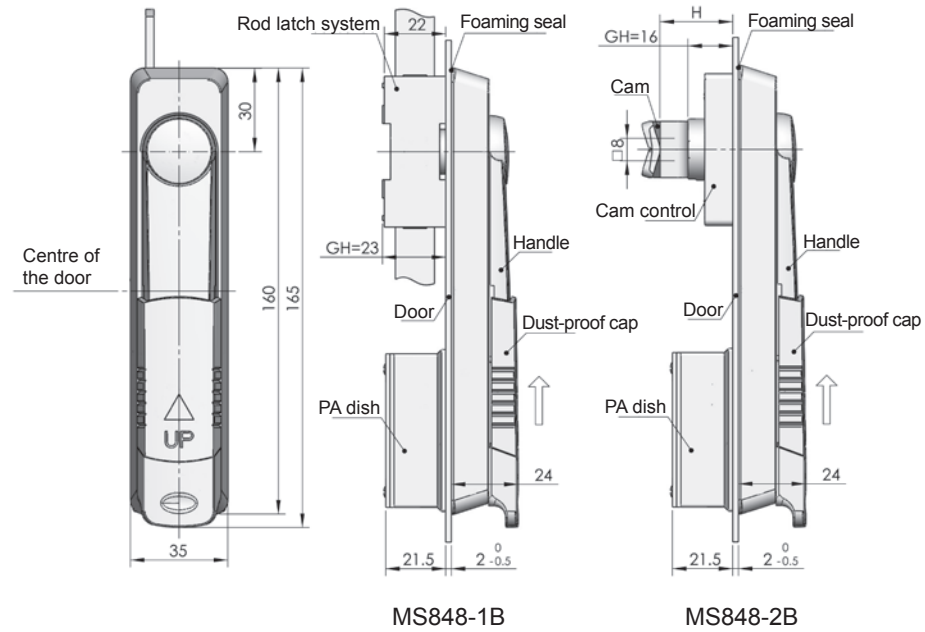
Main material: Black PA housing, Handle, dust-proof cap, zamak profile insert
Finish : Bright chrome plated insert, white zinc plated cam and rod drive
Remark : Optional profile insert TC01,TC02,TC03 Default TC01 with K14

Performance parameter:
 Handle load tension capability: ≤170N
 Handle load torque capability: ≤20N.m



Optional Accessories:
 See cam latch system Mb9 series on P174
 Rod latch system Mb4 series on P192

ERP MS848N00140038



Optional Accessories:
 See cam latch system Mb9 series on P174
 Rod latch system Mb2 series on P175

| Specification | Model | ERP |
|------------------|----------|----------------|
| Rod latch system | MS848-1B | MS848N00140002 |
| Cam latch system | MS848-2B | MS848N00140018 |

MS848-B



Main material and finish: Black PA handle, housing and dust-proof cap, white zinc-plated steel cam and rod, ZDC profile insert
Application: Handle quarter-turn combines with rod latch system to open or close
Remark: Default profile insert TC01, default Key K140

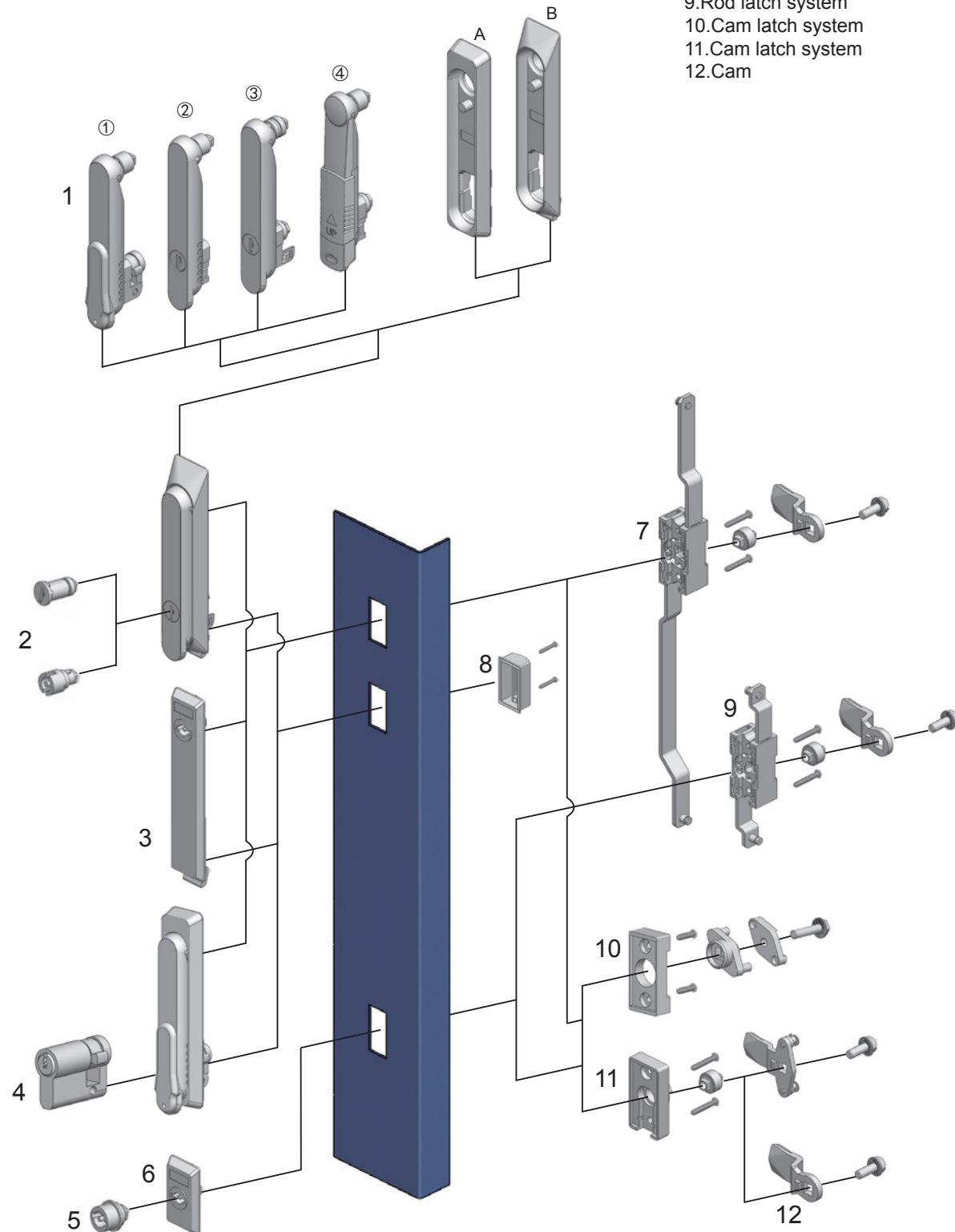
Default cam: S1B45Y07002 (Cam type)

Performance parameter:
 Handle load tension capability: ≤170N
 Handle load torque capability: ≤20N.m

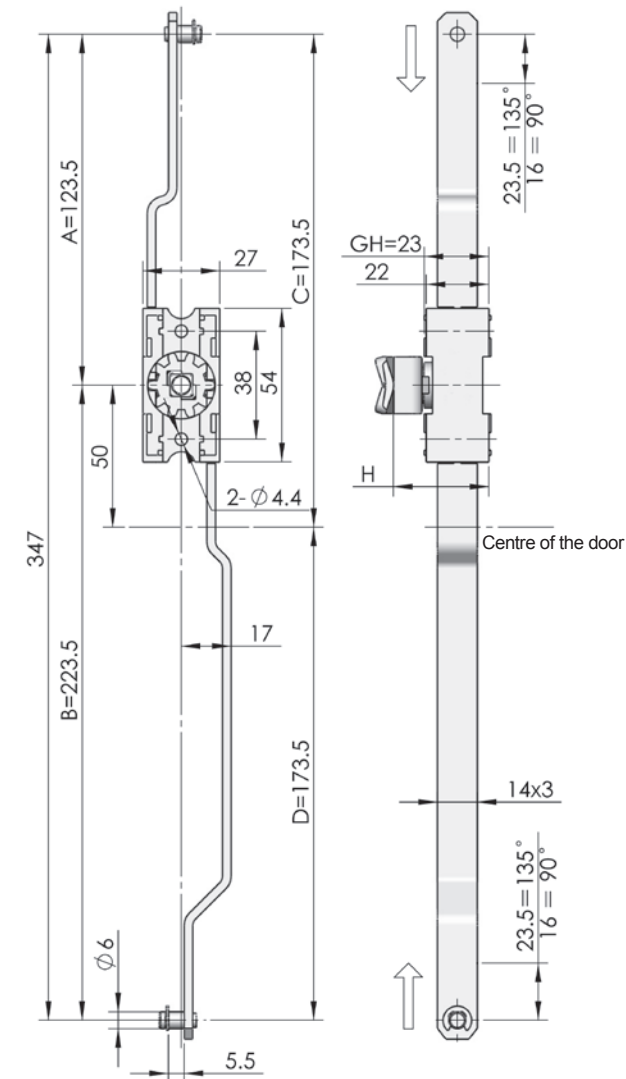
Accessories
 Electronic lock
 Handle lock
 Cylinder lock
 Plane lock
 Rod control lock
 Panel lock
 Toggle and hook
 Handles
 Door stop
 Hinge
 Seal gasket

| Combination | Item No | |
|-------------|------------------|------------------|
| | Rod latch system | Cam latch system |
| ①A | MS840-1A | MS840-2A |
| ①B | MS840-1D | MS840-2D |
| ②A | MS840-1B | MS840-2B |
| ②B | MS840-1E | MS840-2E |
| ③A | MS840-1F | MS840-2F |
| ③B | MS840-1C | MS840-2C |
| ④A | MS848-1B | MS848-2B |
| ④B | MS848-1C | MS848-2C |

- 1.Lock-body
- 2.Insert
- 3.Lock-boby
- 4.Profile insert
- 5.Insert
- 6.Board
- 7.Rod latch system
- 8.PA dish
- 9.Rod latch system
- 10.Cam latch system
- 11.Cam latch system
- 12.Cam



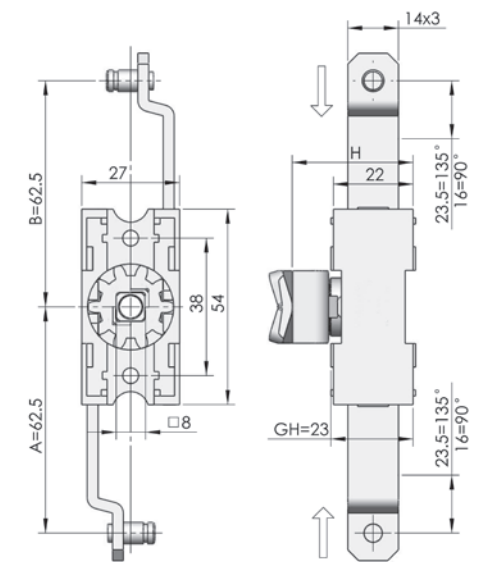
Mb4 Series



Remark: Default rod latch system, closing position, 135 degree rotation angle, default optional cam S1B3500, cam cutout square 8mm. The rod latch system is used for the seal door-outside

| Rod latch system | Dm | Ra | A | B | C | D | Specification |
|------------------|------|------|-------|-------|-------|-------|---------------|
| Mb43 | 23.5 | 135° | 123.5 | 223.5 | 173.5 | 173.5 | With cam |
| Mb44 | 23.5 | 135° | 123.5 | 223.5 | 173.5 | 173.5 | Without cam |

Mb5 Series



Remark: Default rod latch system, closing position, 135 degree rotation angle, default optional cam S1B3500, cam cutout square 8mm. The rod latch system is used for the seal door-outside

| Rod latch system | Dm | Ra | A | B | Specification |
|------------------|------|------|------|------|---------------|
| Mb51 | 23.5 | 135° | 62.5 | 62.5 | With cam |
| Mb52 | 23.5 | 135° | 62.5 | 62.5 | Without cam |

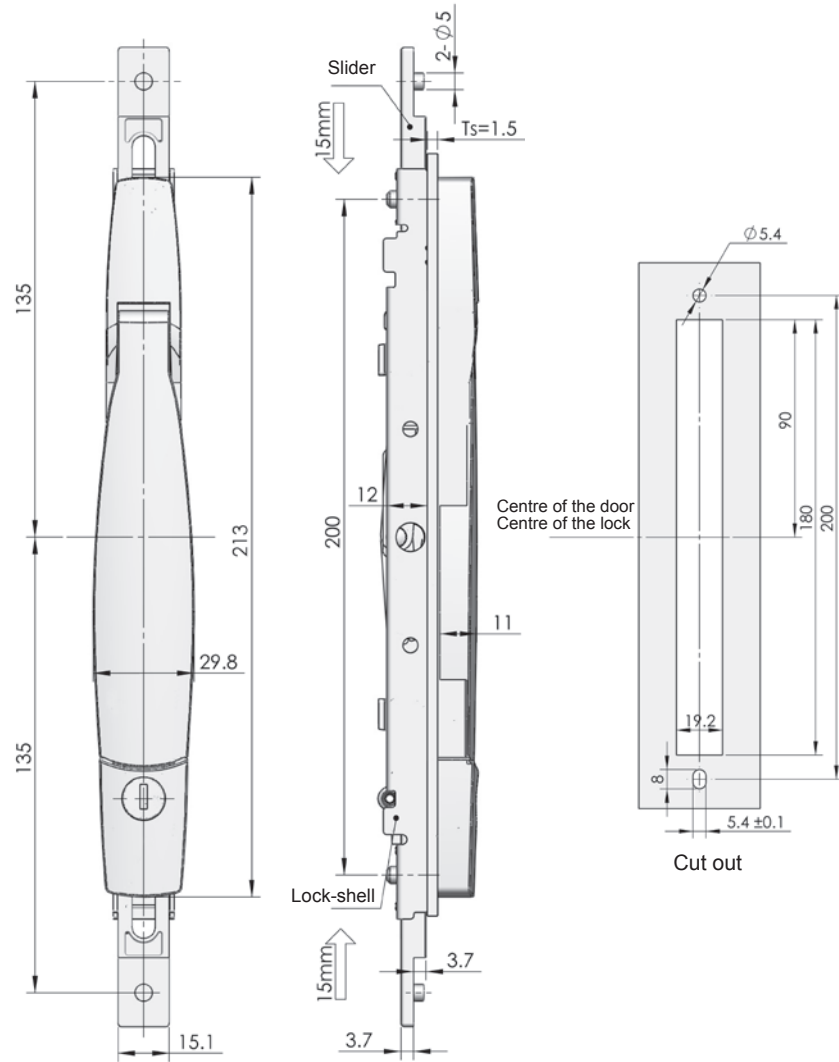
MS855-3



IP40 MPL

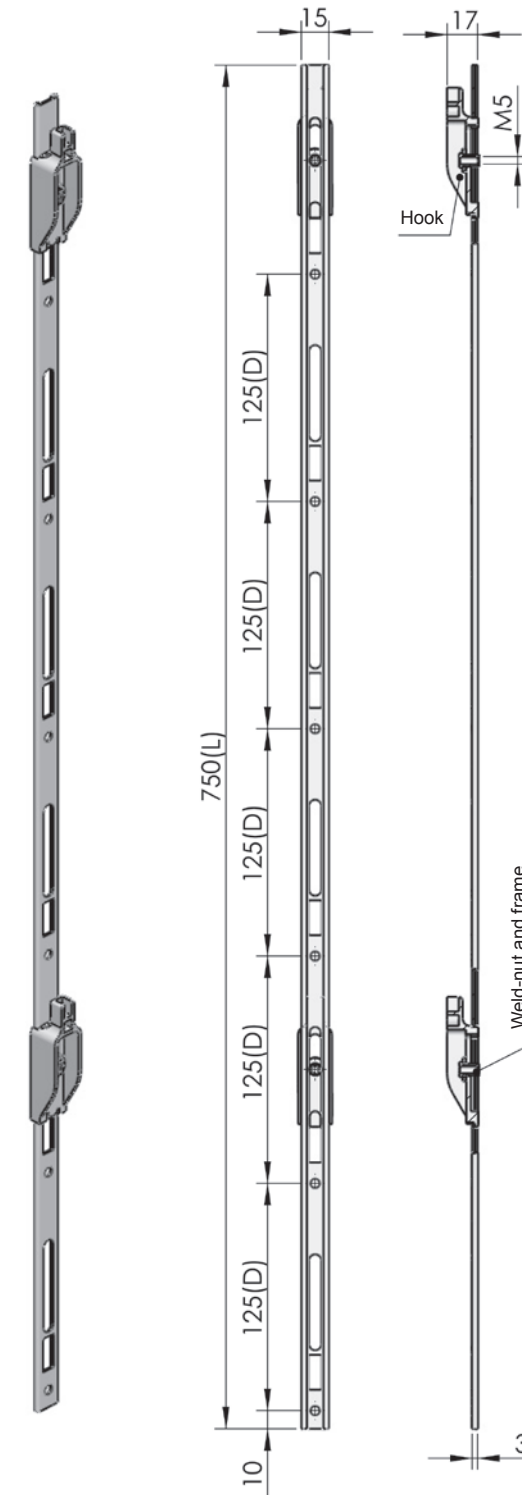
Main material and finish: Black ABS handle, housing, white zinc-plated ZDC slider, white zinc-plated support
Remark: Default Key K400

Performance parameter:
Handle load tension capability: ≤150N



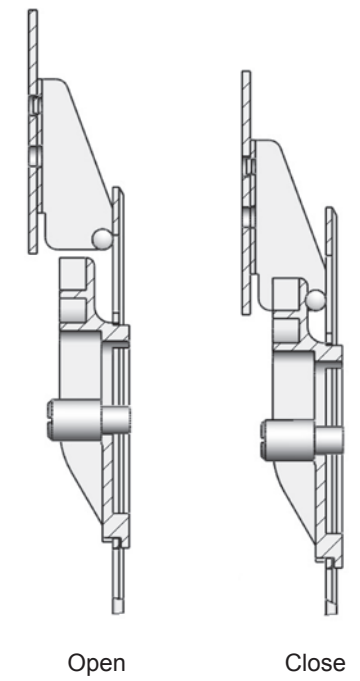
ERP

MS855Z1B400001

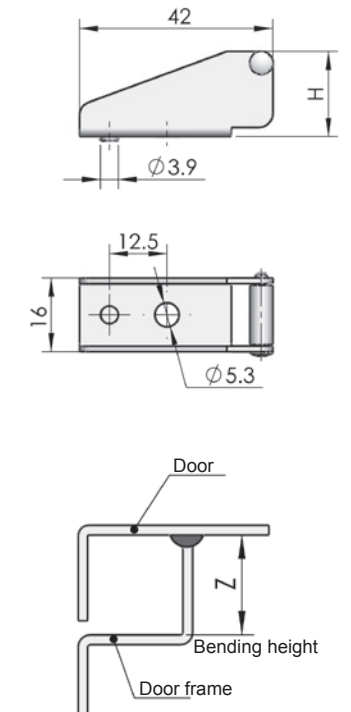


| Model | Length(mm) | Lock catch appropriate quantity |
|-----------|------------|---------------------------------|
| LG-2D-250 | 250 | 1 |
| LG-2D-375 | 375 | 1 |
| LG-2D-500 | 500 | 1 |
| LG-2D-625 | 625 | 2 |
| LG-2D-750 | 750 | 2 |
| LG-2D-875 | 875 | 2 |

Rod length=125 X n, n: Rod-Joint quantity, joint distance=125 ;

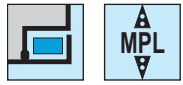


Catcher



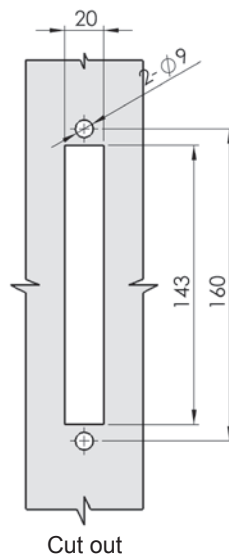
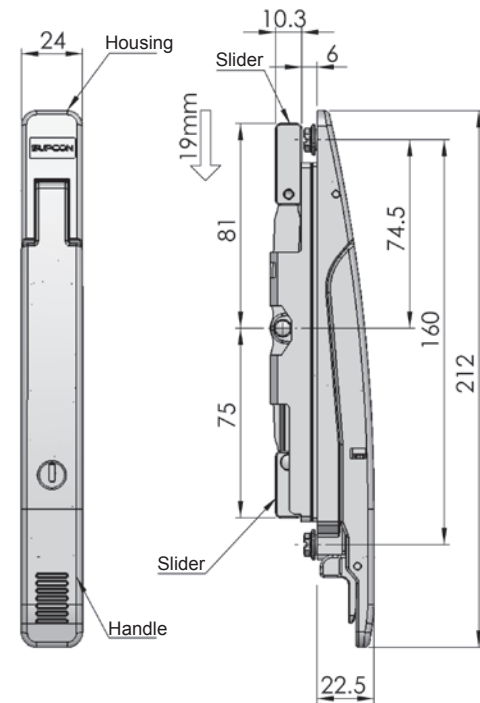
| Hook No | H | Z |
|---------|----|------|
| KP1 | 19 | 15.5 |
| KP2 | 20 | 16.5 |
| KP3 | 22 | 18.5 |
| KP4 | 25 | 21.5 |

MS855-5



Main material and finish: Painted RAL7030 ZDC housing and handle, ZDC slider and fix part, stainless steel rod
Remark: Default key K110

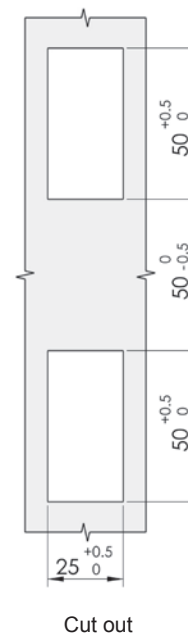
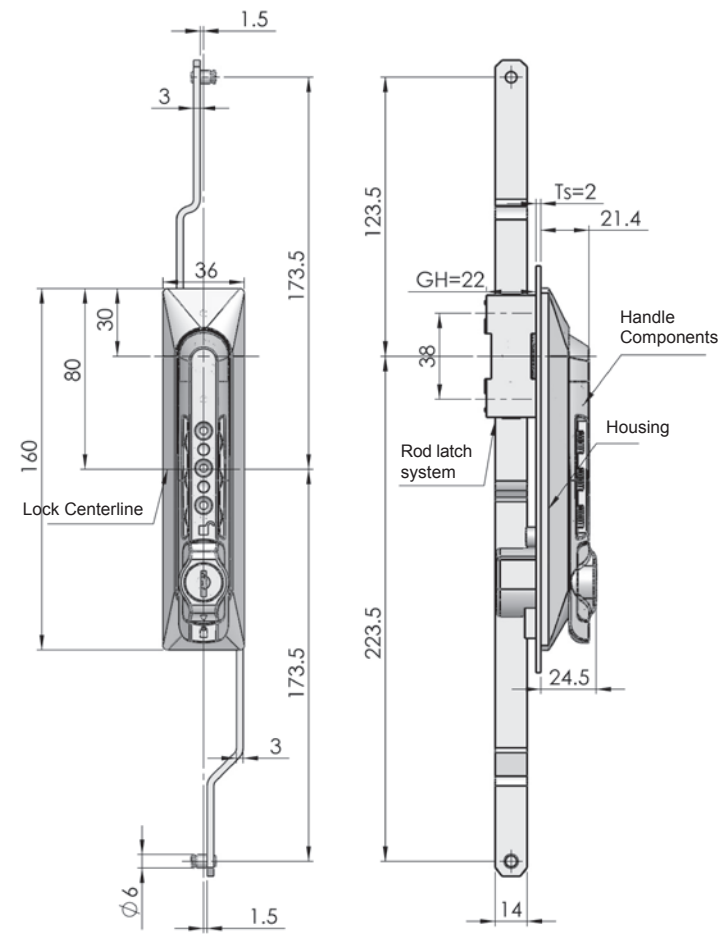
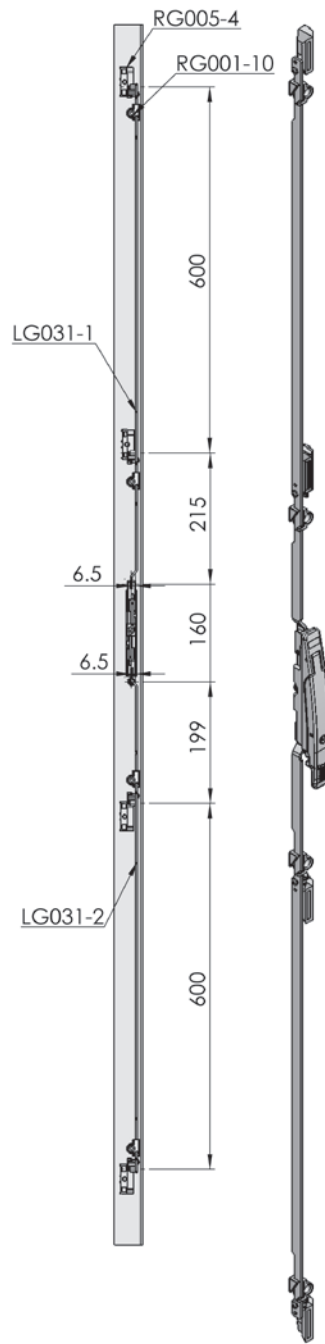
Performance parameter:
Handle load tension capability: ≤800N



ERP

MS855ZXX110001

Assembly drawing



ERP

MS861N00140019

MS861-2B

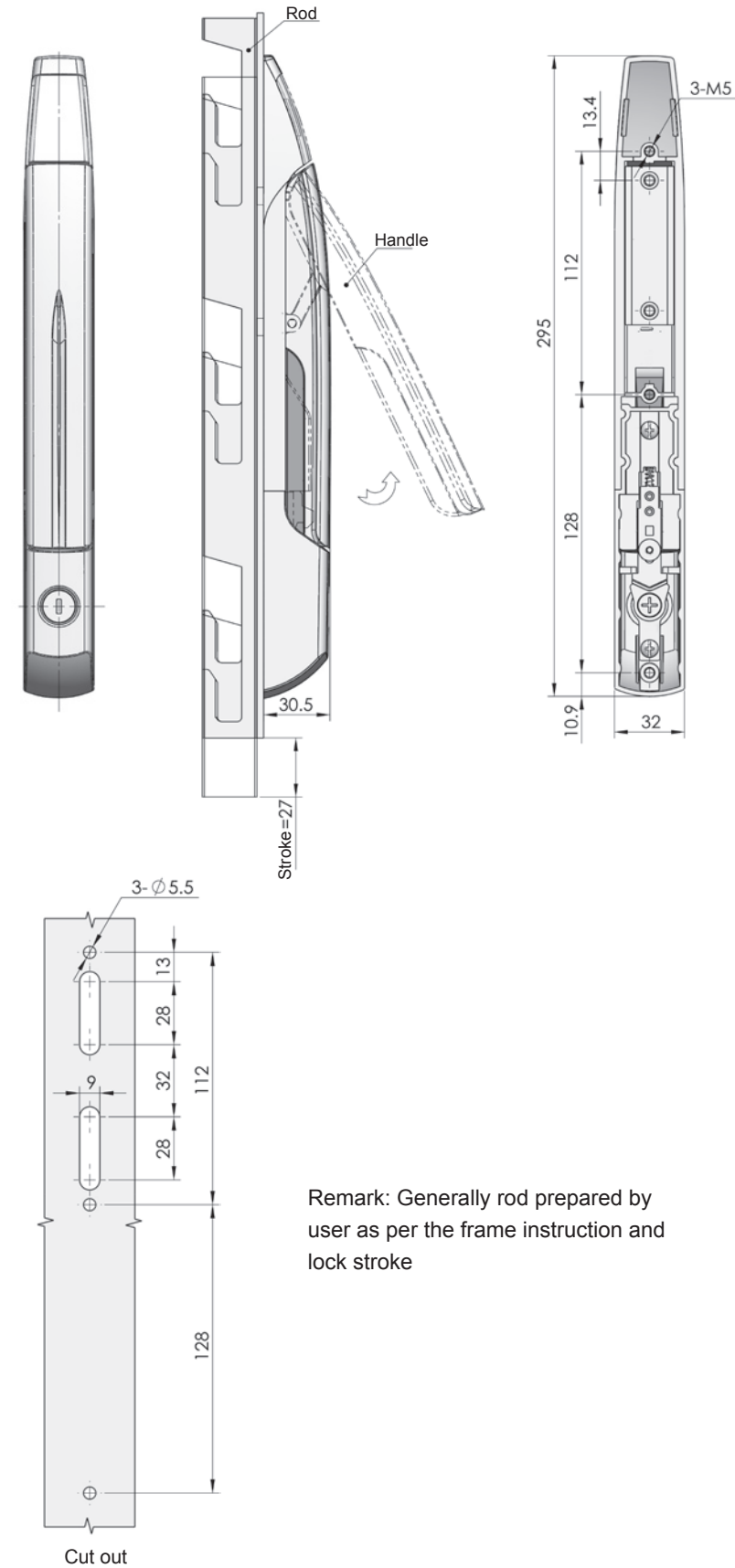
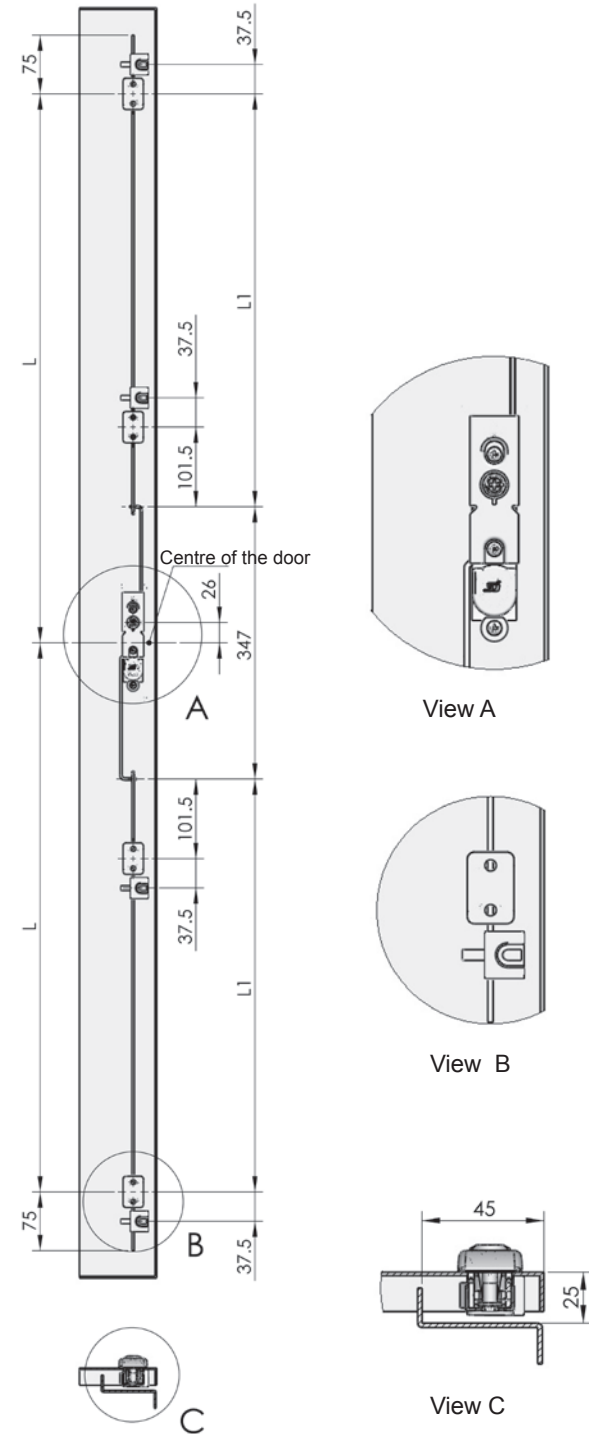
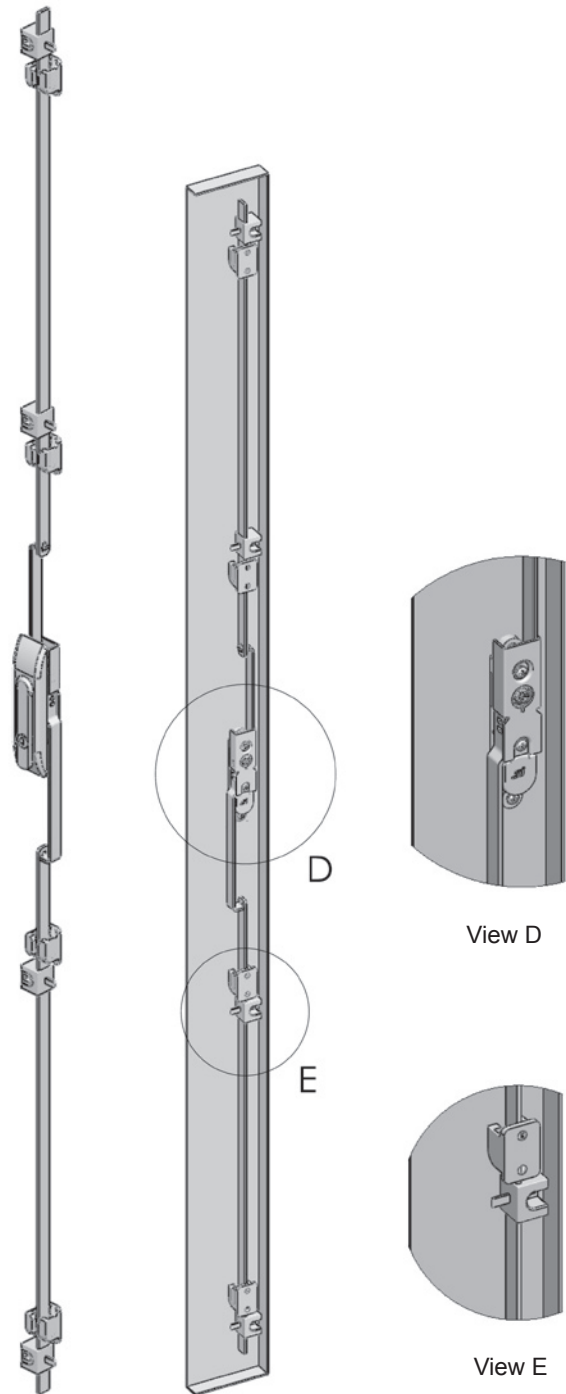


Main material and finish: PA housing and handle, white zinc plated ZDC rod latch, white zinc plated steel rod and screws
Remark: Handle with password
Default key K140

Performance parameter:
Handle load tension capability: ≤60N
Handle load torque capability: ≤5N.m

| |
|------------------|
| Accessories |
| Electronic lock |
| Handle lock |
| Cylinder lock |
| Plane lock |
| Rod control lock |
| Panel lock |
| Toggle and hook |
| Handles |
| Door stop |
| Hinge |
| Seal gasket |

Mb95 rod latch system



Remark: Generally rod prepared by user as per the frame instruction and lock stroke

ERP

MS867Z1E082001

MS867



Main material and finish: Yellow gray powder coated ZDC handle and housing, white zinc-plated ZDC rod

Application: Handle rotation to open or close rapidly, easy assembling

Remark: Default Key K082

Performance parameter:

Handle load tension capability: ≤490N

| |
|------------------|
| Accessories |
| Electronic lock |
| Handle lock |
| Cylinder lock |
| Plane lock |
| Rod control lock |
| Panel lock |
| Toggle and hook |
| Handles |
| Door stop |
| Hinge |
| Seal gasket |

MS867-8



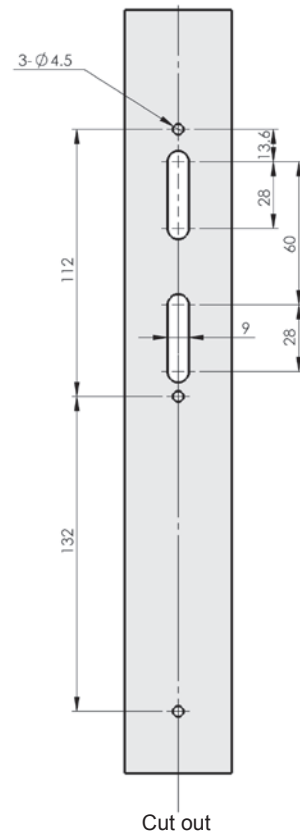
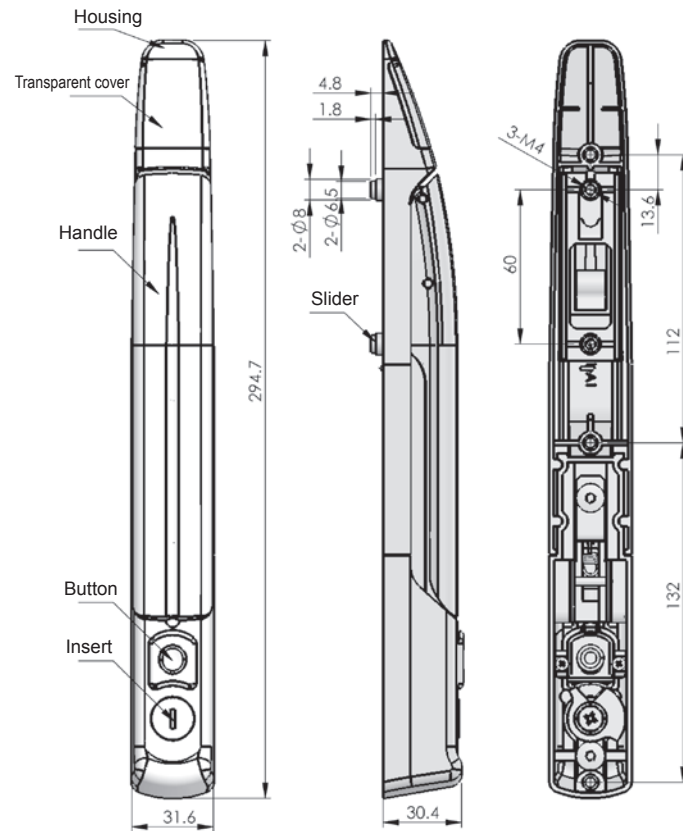
NEW



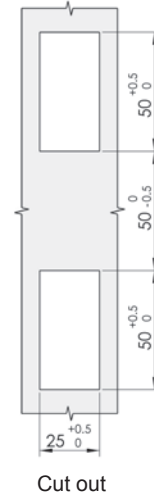
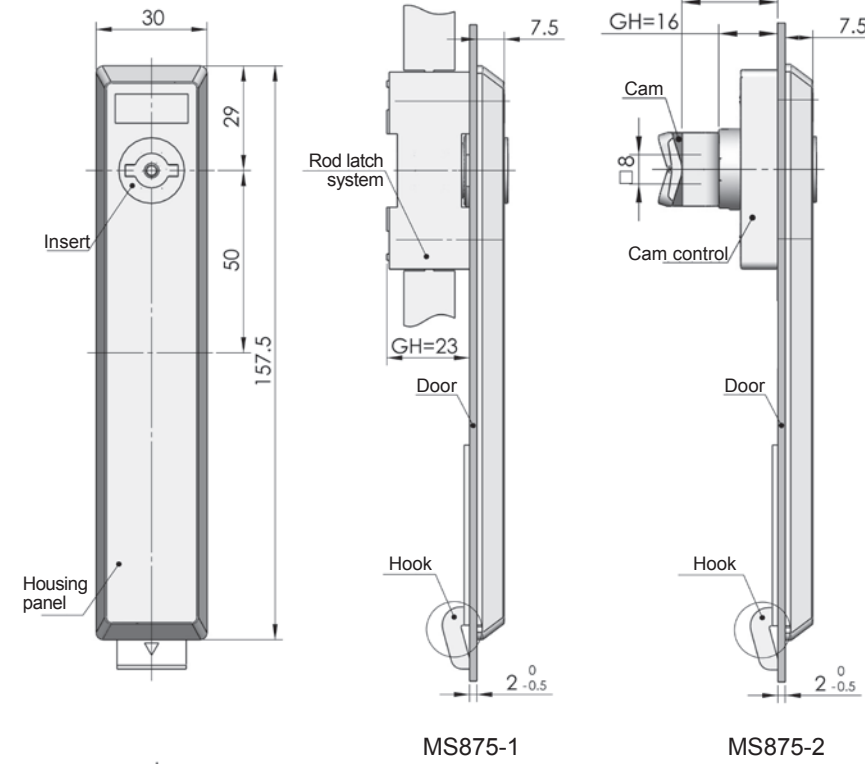
Main material and finish: RAL7035 ZDC housing, handle and button, zinc plated slider.

Application: Turn the key and press the button, the handle can automatically pop up, thus driving the slider to move and open the door

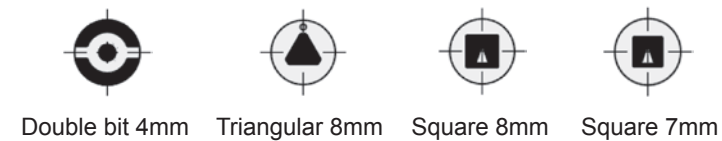
Remark: Default Key K14
Rod structure is same as MS867



ERP MS867Z2A140001



Optional Accessories:
See cam latch system Mb9 series on P175
Rod latch system Mb4 series on P192



| Specification | Rod latch system | | Cam latch system | | Optional key |
|----------------|------------------|----------------|------------------|----------------|----------------|
| | Model | ERP | Model | ERP | |
| Double bit | MS875-1-1 | MS875N00T02014 | MS875-2-1 | MS875N00T02013 | K15-1A, K15-1F |
| Triangular 8mm | MS875-1-2 | MS875N00T04001 | MS875-2-2 | MS875N00T04003 | K15-3, K15-3F |
| Square 7mm | MS875-1-3 | MS875N00T06001 | MS875-2-3 | MS875N00T06003 | K15-6, K15-6F |
| Square 8mm | MS875-1-4 | MS875N00T07001 | MS875-2-4 | MS875N00T07003 | K15-4, K15-4F |

**MS875-1
MS875-2**



Main material and finish: Black PA panel, steel cam and rod, bright chrome-plated ZDC insert

Application: Insert quarter-turn combines with rod latch system to open or close

Remark: Default Key K15

Default cam: S1B45Y07005 (Cam type)

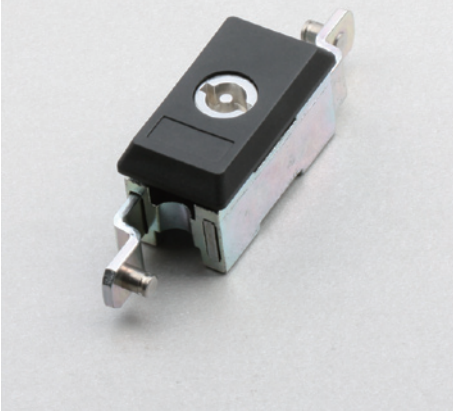
Performance parameter:

Maximum Input torque: ≤10N.m

Accessories
Electronic lock
Handle lock
Cylinder lock
Plane lock
Rod control lock
Panel lock
Toggle and hook
Handles
Door stop
Hinge
Seal gasket

Accessories
Electronic lock
Handle lock
Cylinder lock
Plane lock
Rod control lock
Panel lock
Toggle and hook
Handles
Door stop
Hinge
Seal gasket

MS875-1A
MS875-2A



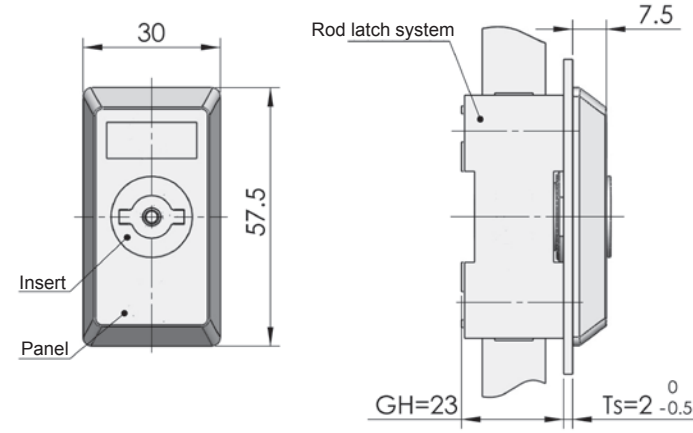
Main material and finish: Black PA panel, bright chrome-plated ZDC insert, white zinc-plated steel cam and rod

Application: Insert quarter-turn combines with rod latch system to open or close

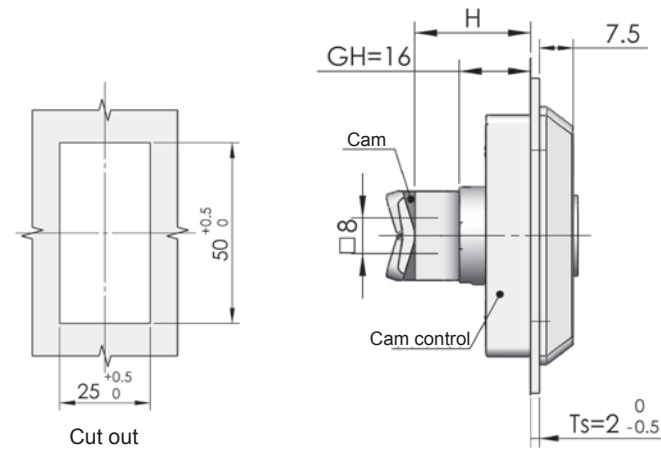
Remark: Default Key K15 series

Default cam: S1B45Y07002 (Cam type)

Performance parameter:
Maximum Input torque: ≤10N.m

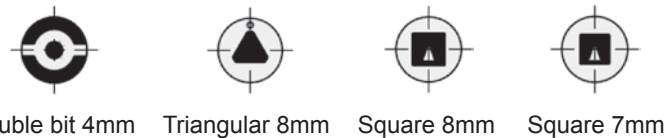


MS875-1A

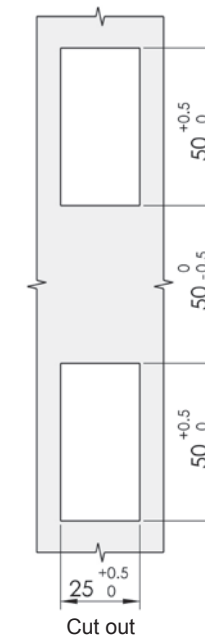
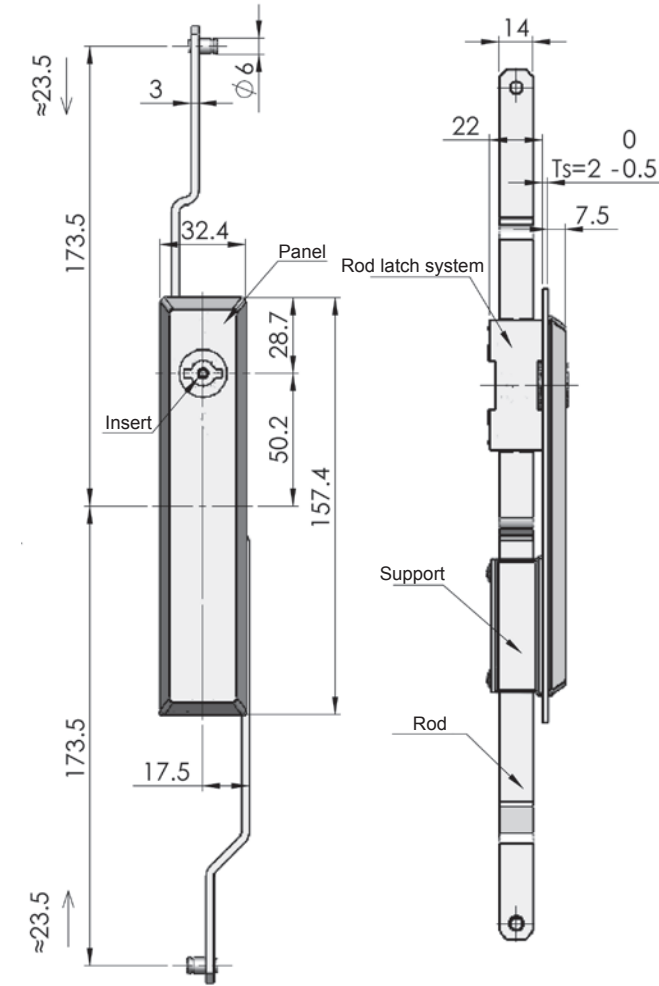


MS875-2A

Optional Accessories:
See cam latch system Mb9 series on P174
Rod latch system Mb5 series on P192



| Specification | Rod latch system | | Cam latch system | | Optional key |
|----------------|------------------|----------------|------------------|----------------|----------------|
| | Model | ERP | Model | ERP | |
| Double bit | MS875-1A-1 | MS875N00T03001 | MS875-2A-1 | MS875N00T02019 | K15-1A, K15-1F |
| Triangular 8mm | MS875-1A-2 | MS875N00T04002 | MS875-2A-2 | MS875N00T04008 | K15-3, K15-3F |
| Square 7mm | MS875-1A-3 | MS875N00T06002 | MS875-2A-3 | MS875N00T06004 | K15-6, K15-6F |
| Square 8mm | MS875-1A-4 | MS875N00T07002 | MS875-2A-4 | MS875N00T07004 | K15-4, K15-4F |



MS875-3



Main material and finish: PA housing and panel, Zinc-plated steel cam and rod, chrome-plated ZDC insert

Application: Insert 90° rotation combines with rod latch system to open or close

Remark: Optional K15 series tool key

Performance parameter:
Maximum Input torque: ≤10N.m

ERP MS875N00T01002
Remark: Default cam S1B3011D

MS876



Main material and finish: Black PA housing, bright chrome plated ZDC handle, white zinc-plated steel rod

Application: Handle rotation combines with rod latch to open or close

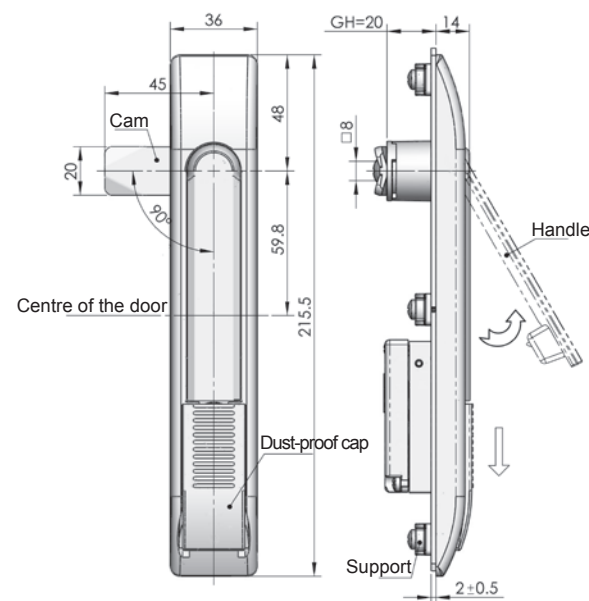
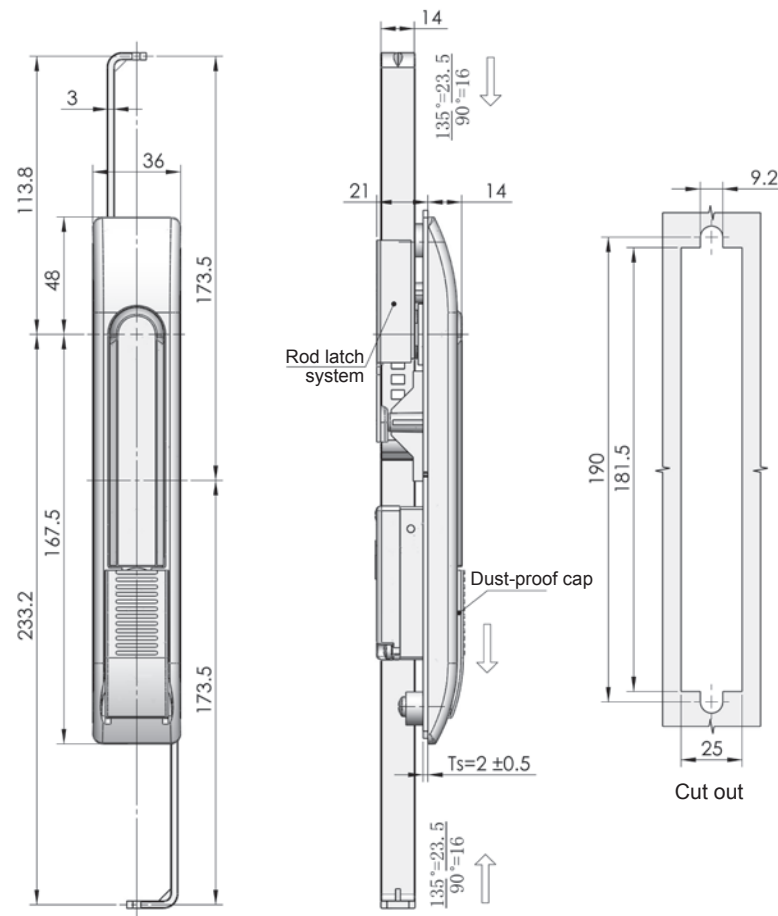
Remark: Default key K140

Default cam: S1B45Y07002 (Cam type)

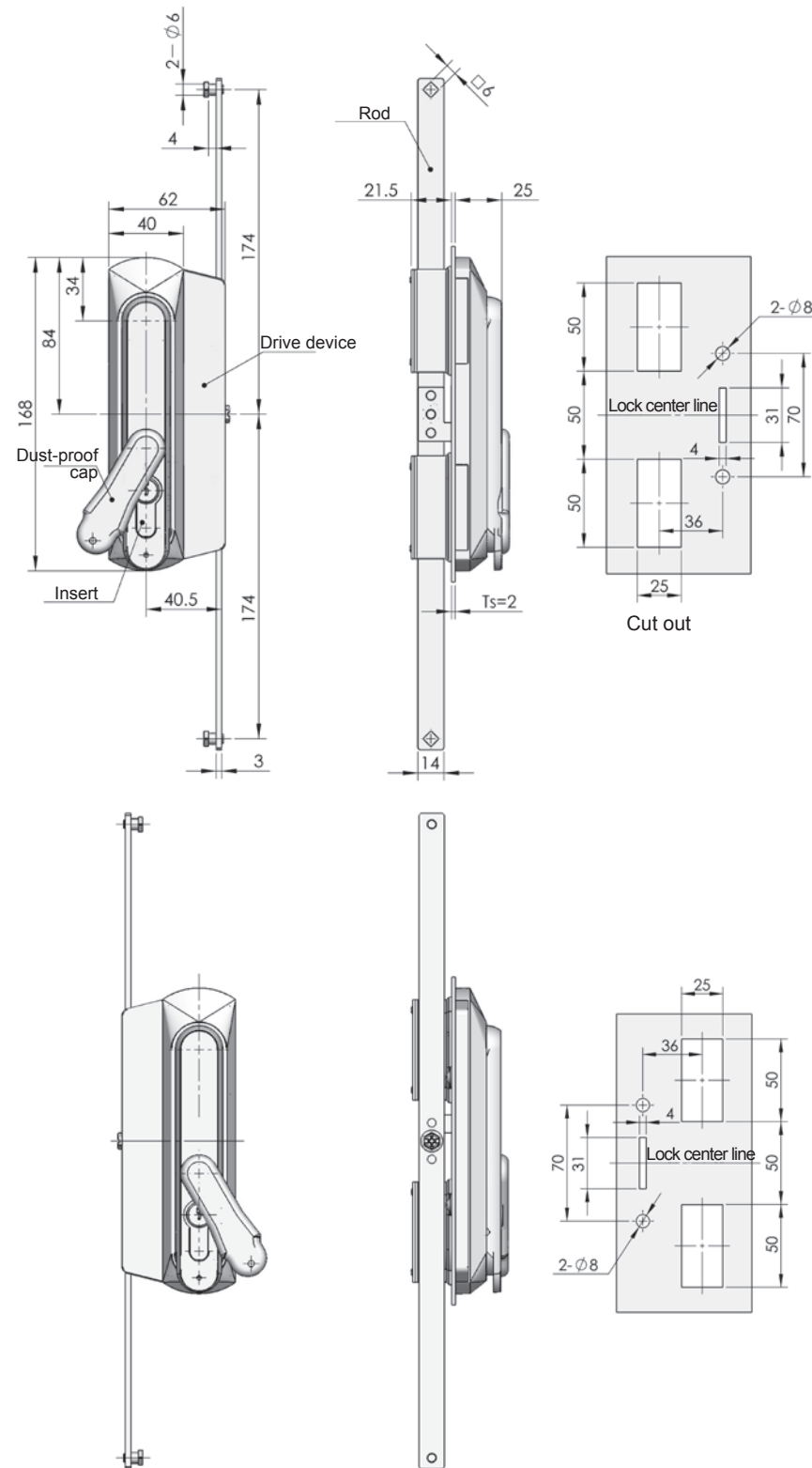
Performance parameter:

Handle load tension capability: ≤490N

Handle load torque capability: ≤26N.m



| | MS876-1 | MS876-2 |
|-----|----------------|----------------|
| ERP | MS876N00140014 | MS876N00140010 |



Remark: Change the drive device position to realize LH or RH

| Specification | Model | ERP |
|--|----------|----------------|
| With dust-proof cap handle and TC series insert | MS882-1A | MS882N00140003 |
| With simple insert handle | MS882-1B | MS882N00140006 |
| With simple insert handle and buckle | MS882-1C | MS882N00140004 |
| With sliding dust-proof cap and TC series insert | MS882-1D | MS882N00140005 |

MS882



Main material and finish: Black PA lock body, white zinc-plated steel rod

Remark: Default key K140

Performance parameter:

Handle load tension capability: ≤330N

Handle load torque capability: ≤30N.m

Accessories
Electronic lock
Handle lock
Cylinder lock
Plane lock
Rod control lock
Panel lock
Toggle and hook
Handles
Door stop
Hinge
Seal gasket

Accessories
Electronic lock
Handle lock
Cylinder lock
Plane lock
Rod control lock
Panel lock
Toggle and hook
Handles
Door stop
Hinge
Seal gasket