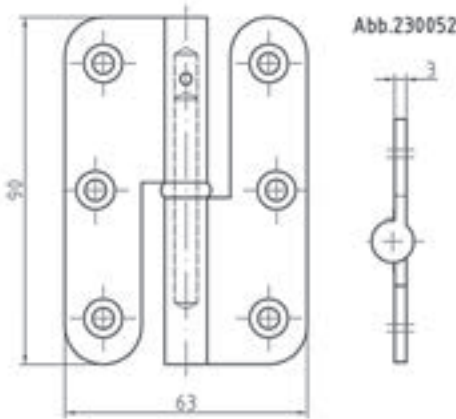


HINGES DIN 81401 A - HINGES BRASS DIN 81401 A

• Material: Brass Ms 58

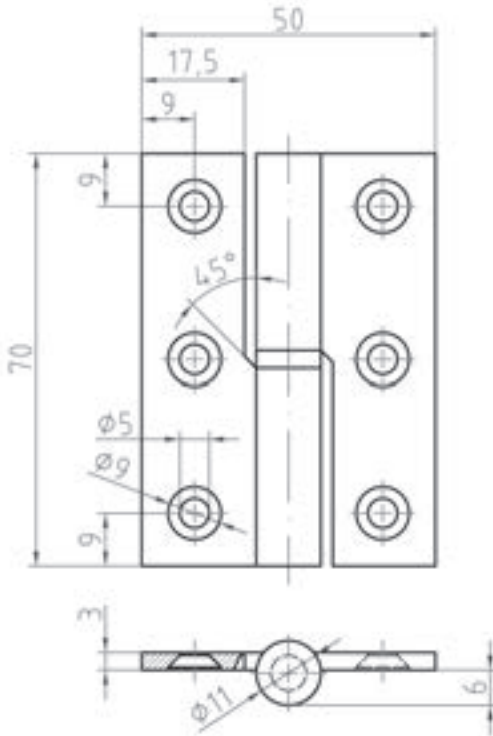
• Available surfaces: Bp, Bpc and Bmc



Art.code	Surface	Article description	Unit	Weight
230011.4	Bp	Door hinge 120x96 mm, right	pc.	0,390
230012.4	Bp	Door hinge 120x96 mm, left	pc.	0,390
230021.4	Bp	Door hinge 110x96 mm, right	pc.	0,340
230022.4	Bp	Door hinge 110x96 mm, left	pc.	0,340
230031.4	Bp	Door hinge 110x86 mm, right	pc.	0,290
230032.4	Bp	Door hinge 110x86 mm, left	pc.	0,290
230041.4	Bp	Door hinge 100x86 mm, right	pc.	0,250
230042.4	Bp	Door hinge 100x86 mm, left	pc.	0,250
230051.4	Bp	Door hinge 90x63 mm, right	pc.	0,160
230052.4	Bp	Door hinge 90x63 mm, left	pc.	0,160

HINGES DIN 81402 A - HINGES DIN 81402 A

• Material: Stainless steel or brass material

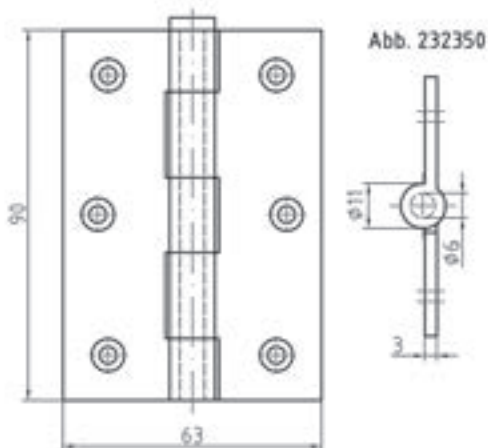


Art.code	Surface	Article description	Unit	Weight
230061.4	Bp	Door hinge 70x50x3 mm, right, similar to DIN 81402 A	pc.	0,115
230061.6	Bpc	Door hinge 70x50x3 mm, right, similar to DIN 81402 A	pc.	0,115
230061.9	Bmc	Door hinge 70x50x3 mm, right, similar to DIN 81402 A	pc.	0,115
230062.4	Bp	Door hinge 70x50x3 mm, left, similar to DIN 81402 A	pc.	0,115
230062.6	Bpc	Door hinge 70x50x3 mm, left, similar to DIN 81402 A	pc.	0,115
230062.9	Bmc	Door hinge 70x50x3 mm, left, similar to DIN 81402 A	pc.	0,115
N-230061.0	S/S	Door hinge 70x50x3 mm, right, similar to DIN 81402 A	pc.	0,115
N-230062.0	S/S	Door hinge 70x50x3 mm, left, similar to DIN 81402 A	pc.	0,115

HINGES DIN 81401 B - HINGES BRASS DIN 81401 B

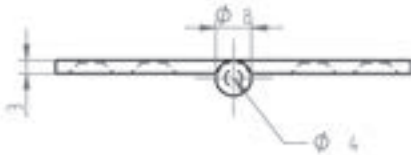
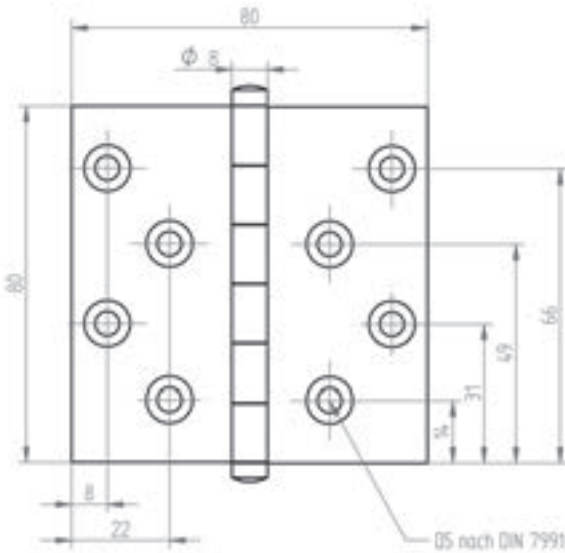
• Material: Brass Ms 58

• Available surfaces: Bp, Bpc and Bmc



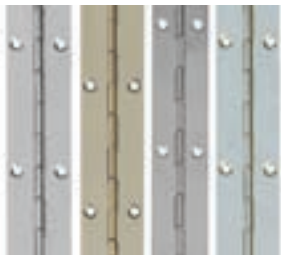
Art.code	Surface	Article description	Unit	Weight
232210.4	Bp	Door hinge DIN 81401 B, 120x96x4 mm, fixed pin	pc.	0,430
232230.4	Bp	Door hinge DIN 81401 B, 110x86x3,5 mm, fixed pin	pc.	0,320
232240.4	Bp	Door hinge DIN 81401 B, 100x86x3,5 mm, fixed pin	pc.	0,320
232250.4	Bp	Door hinge DIN 81401 B, 90x63x3 mm, fixed pin	pc.	0,160
232310.4	Bp	Door hinge DIN 81401 B, 120x96x4 mm, loose pin	pc.	0,430
232330.4	Bp	Door hinge DIN 81401 B, 110x86x3,5 mm, loose pin	pc.	0,320
232340.4	Bp	Door hinge DIN 81401 B, 100x86x3,5 mm, loose pin	pc.	0,320
232350.4	Bp	Door hinge DIN 81401 B, 90x63x3 mm, loose pin	pc.	0,160

HINGES REVERSABLE - HINGES REVERSABLE

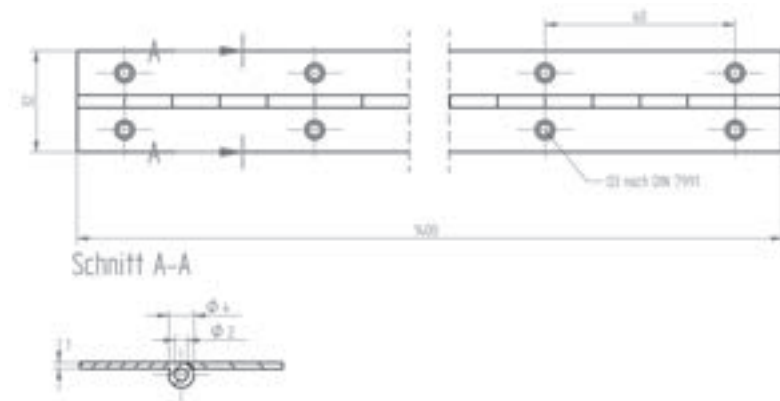


Art.code	Surface	Article description	Unit	Weight
238080.4	Bp	Door hinge 80x80x3 mm reversable, for right or left usage	pc.	0,160
238080.6	Bpc	Door hinge 80x80x3 mm reversable, for right or left usage	pc.	0,160
238080.9	Bmc	Door hinge 80x80x3 mm reversable, for right or left usage	pc.	0,160
238060.4	Bp	Door hinge 80x60x3 mm reversable, for right or left usage	pc.	0,130
238060.6	Bpc	Door hinge 80x60x3 mm reversable, for right or left usage	pc.	0,130
238060.9	Bmc	Door hinge 80x60x3 mm reversable, for right or left usage	pc.	0,130

PIANO HINGES - PIANO HINGES BRASS



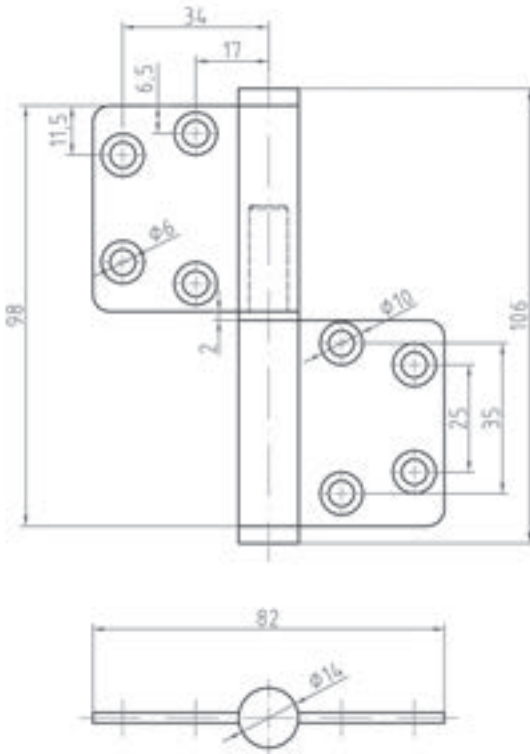
- Material: Brass Ms 58
- Many different surfaces available: Polished, brushed, lacquered, nickle and chrome plated
- With Radius at the ends on request
- Also stainless steel A4 or A2 on request



Art.code	Surface	Article description	Unit	Weight
STS1430-1.4	Bp lacquered	Piano hinge 28x1x1430 mm, with fix brass pin	pc.	0,410
STS1430-1.5	Bpn	Piano hinge 28x1x1430 mm, with fix brass pin	pc.	0,410
STS1430-1.6	Bpc	Piano hinge 28x1x1430 mm, with fix brass pin	pc.	0,410
STS1400-1.4	Bp lacquered	Piano hinge 32x1x1400 mm, with fix brass pin	pc.	0,455
STS1400-1.5	Bpn	Piano hinge 32x1x1400 mm, with fix brass pin	pc.	0,455
STS1400-1.6	Bpc	Piano hinge 32x1x1400 mm, with fix brass pin	pc.	0,455

HINGES NO. 377 - HINGES STAINLESS STEEL NR. 377

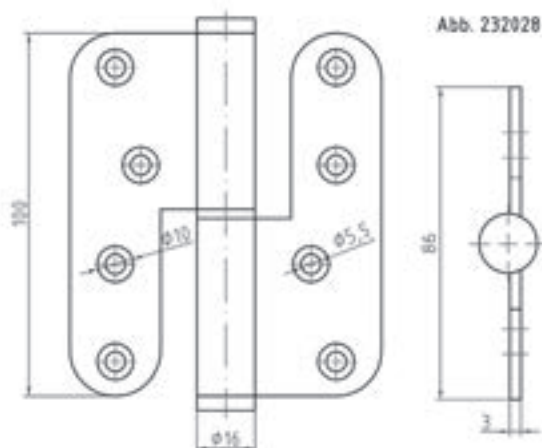
• Material: Stainless steel A2



Art.code	Surface	Article description	Unit	Weight
N-230100-R.0	S/S brushed	Door hinge 98x85x2,5 mm, Right	pc.	0,165
N-230100-L.0	S/S brushed	Door hinge 98x85x2,5 mm, Left	pc.	0,165

HINGES 2017/2027 - HINGES STAINLESS STEEL NR. 2017/2027

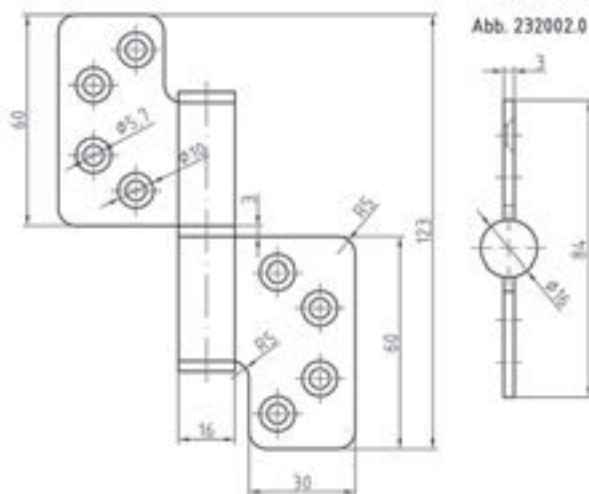
• Material: Stainless steel A2



Art.code	Surface	Article description	Unit	Weight
N-232017.0	S/S brushed	Door hinge 90x65x3 mm, Right	pc.	0,140
N-232027.0	S/S brushed	Door hinge 90x65x3 mm, Left	pc.	0,140
N-232018.0	S/S brushed	Door hinge 100x86x3 mm, Right	pc.	0,290
N-232028.0	S/S brushed	Door hinge 100x86x3 mm, Left	pc.	0,290

HINGES 2001/2002 - HINGES STAINLESS STEEL NR. 2001/2002

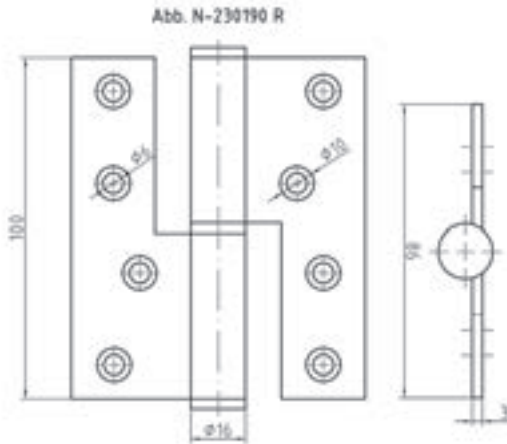
• Material: Stainless steel A2



Art.code	Surface	Article description	Unit	Weight
N-232001.0	S/S brushed	Door hinge 123x84x3 mm, Right	pc.	0,200
N-232002.0	S/S brushed	Door hinge 123x84x3 mm, Left	pc.	0,200

HINGES NR. 138 - HINGES STAINLESS STEEL NR. 138

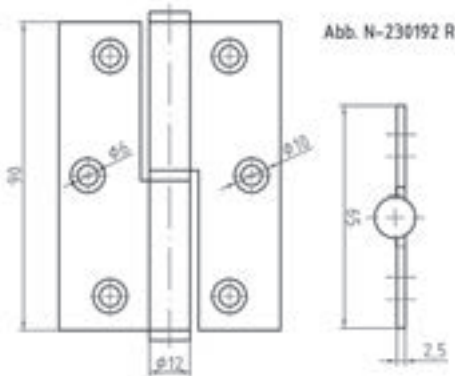
• Material: Stainless steel A2



Art.code	Surface	Article description	Unit	Weight
N-230190-R.0	S/S brushed	Door hinge 100x86x3 mm, right, holes 8x6 mm, for screws 5x25 mm	pc.	0,280
N-230190-L.0	S/S brushed	Door hinge 100x86x3 mm, left, holes 8x6 mm, for screws 5x25 mm	pc.	0,280
N-230841-R.0	S/S brushed	Door hinge 120x86x3 mm, right, holes 8x6 mm, for screws 5x25 mm	pc.	0,355
N-230841-L.0	S/S brushed	Door hinge 120x86x3 mm, left, holes 8x6 mm, for screws 5x25 mm	pc.	0,355

HINGES NR. 139 - HINGES STAINLESS STEEL NR. 139

• Material: Stainless steel A2

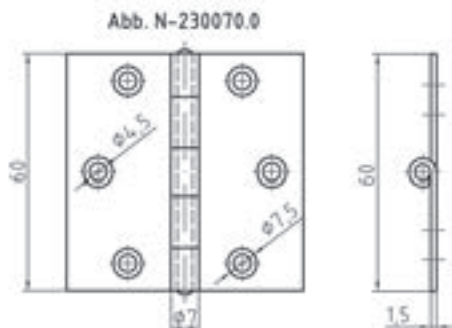


Art.code	Surface	Article description	Unit	Weight
N-230191-R.0	S/S brushed	Door hinge 80x82x2,5 mm, right, holes 6x6 mm, for screws 4,5x25 mm	pc.	0,170
N-230191-L.0	S/S brushed	Door hinge 80x82x2,5 mm, left, holes 6x6 mm, for screws 4,5x25 mm	pc.	0,170
N-230192-R.0	S/S brushed	Door hinge 90x65x2,5 mm, right, holes 6x6 mm, for screws 4,5x25 mm	pc.	0,160
N-230192-L.0	S/S brushed	Door hinge 90x65x2,5 mm, left, holes 6x6 mm, for screws 4,5x25 mm	pc.	0,160
N-230193-R.0	S/S brushed	Door hinge 100x82x2,5 mm, right, holes 6x6 mm, for screws 4,5x25 mm	pc.	0,215
N-230193-L.0	S/S brushed	Door hinge 100x82x2,5 mm, left, holes 6x6 mm, for screws 4,5x25 mm	pc.	0,215

HINGES NR. 110 - HINGES STAINLESS STEEL NR. 110



- Material: Stainless steel A2



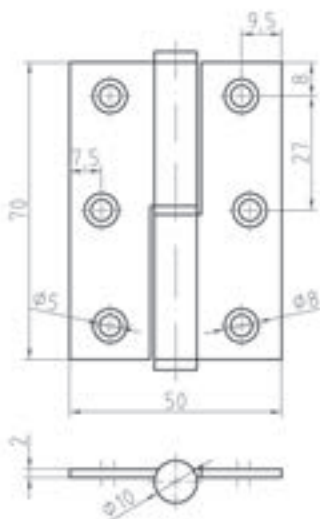
Art.code	Surface	Article description	Unit	Weight
N-230067.0	S/S brushed	Door hinge 30x30x0,9 mm, holes 4x3,5 mm, for screws 2,5x12 mm	pc.	0,009
N-230068.0	S/S brushed	Door hinge 40x40x1 mm, holes 4x4 mm, for screws 3x16 mm	pc.	0,015
N-230069.0	S/S brushed	Door hinge 50x50x1 mm, holes 6x4 mm, for screws 3x16 mm	pc.	0,030
N-230070.0	S/S brushed	Door hinge 60x60x1 mm, holes 6x4,5 mm, for screws 4x20 mm	pc.	0,050
N-230071.0	S/S brushed	Door hinge 70x70x1,2 mm, holes 6x5 mm, for screws 4x20 mm	pc.	0,060
N-230072.0	S/S brushed	Door hinge 80x80x1,2 mm, holes 6x5 mm, for screws 4x20 mm	pc.	0,070
N-230073.0	S/S brushed	Door hinge 90x90x1,2 mm, holes 6x5,5 mm, for screws 4x20 mm	pc.	0,100
N-230074.0	S/S brushed	Door hinge 100x100x1,5 mm, holes 6x5,5 mm, for screws 4,5x25 mm	pc.	0,145

HINGES NR. 120 - HINGES STAINLESS STEEL NR. 120



- Material: Stainless steel A2

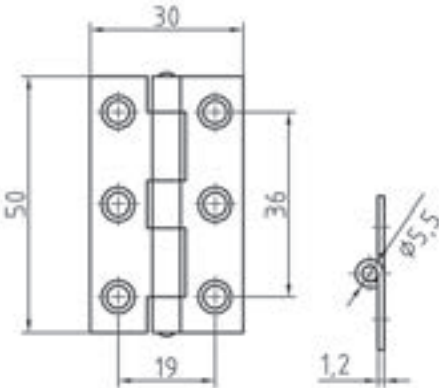
- Polished surface on request



Art.code	Surface	Article description	Unit	Weight
N-230116-R.0	S/S brushed	Door hinge 60x40x1,5 mm, right holes 6x4,5 mm, for screws 4x20 mm	pc.	0,095
N-230116-L.0	S/S brushed	Door hinge 60x40x1,5 mm, left holes 6x4,5 mm, for screws 4x20 mm	pc.	0,095
N-230117-R.0	S/S brushed	Door hinge 70x50x2 mm, right holes 6x4,5 mm, for screws 4x20 mm	pc.	0,100
N-230117-L.0	S/S brushed	Door hinge 70x50x2 mm, left holes 6x4,5 mm, for screws 4x20 mm	pc.	0,100

HINGES NR. 172 - HINGES STAINLESS STEEL NR. 172

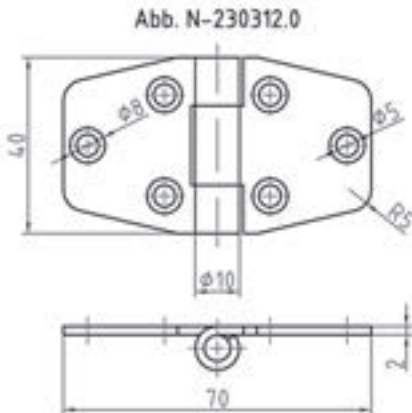
• Material: Stainless steel A2



Art.code	Surface	Article description	Unit	Weight
N-230080.0	S/S brushed	Door hinge 50x30x1,2 mm, 6x4,5 mm, for screws 3x16 mm	pc.	0,019
N-230081.0	S/S brushed	Door hinge 50x40x1,2 mm, 6x4,5 mm, for screws 3,5x20 mm	pc.	0,024
N-230082.0	S/S brushed	Door hinge 50x50x1,2 mm, 6x4,5 mm, for screws 3,5x20 mm	pc.	0,030
N-230083.0	S/S brushed	Door hinge 60x45x1,5 mm, 6x4,5 mm, for screws 3,5x20 mm	pc.	0,039
N-230084.0	S/S brushed	Door hinge 60x45x2 mm, 6x4,5 mm, for screws 3,5x20 mm	pc.	0,057

HINGES NR. 193 - HINGES STAINLESS STEEL NR. 193

• Material: Stainless steel A2

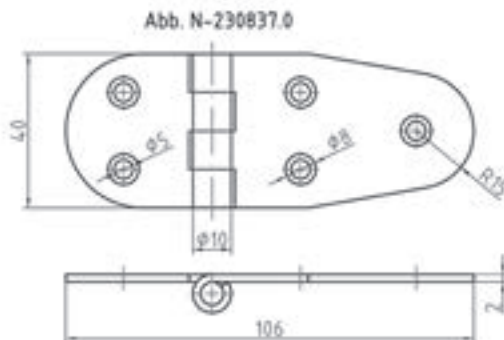


Art.code	Surface	Article description	Unit	Weight
N-230312.0	S/S	Door hinge 40x70x2 mm, for screws 4x20 mm	pc.	0,050

HINGES NR. 188 - HINGES STAINLESS STEEL NR. 188



- Material: Stainless steel A2

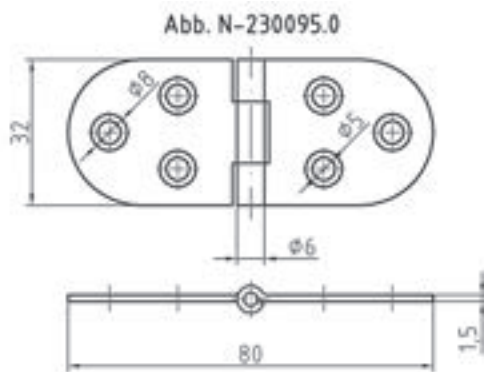


Art.code	Surface	Article description	Unit	Weight
N-230837.0	S/S	Door hinge 40x106x2 mm, for screws 4x20 mm	pc.	0,070

HINGES NR. 116 - HINGES STAINLESS STEEL NR. 116



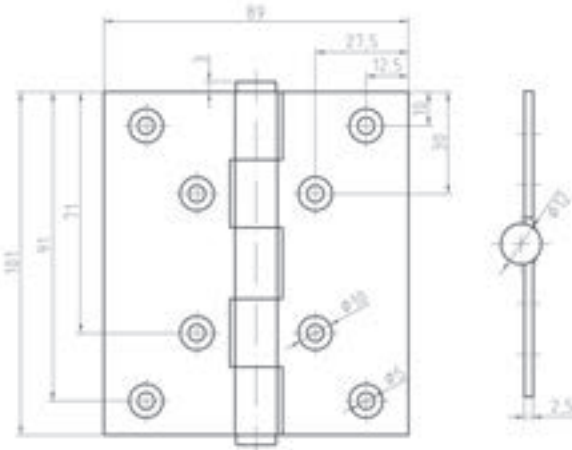
- Material: Stainless steel A2



Art.code	Surface	Article description	Unit	Weight
N-230095.0	S/S	Door hinge 32x80x1,5 mm, for screws 3,5x20 mm	pc.	0,035

HINGES NR. 134 - HINGES STAINLESS STEEL NR. 134

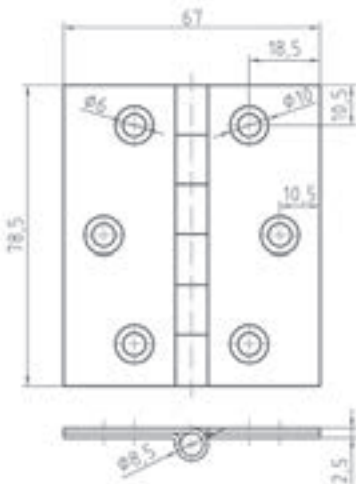
• Material: Stainless steel A2



Art.code	Surface	Article description	Unit	Weight
N-230052.0	S/S	Door hinge 89x63x2,5 mm	pc.	0,160
N-230054.0	S/S	Door hinge 101x89x2,5 mm	pc.	0,230
N-230056.0	S/S	Door hinge 101x101x2,5 mm	pc.	0,230

HINGES NR. 146 - HINGES STAINLESS STEEL NR. 146

• Material: Stainless steel A2

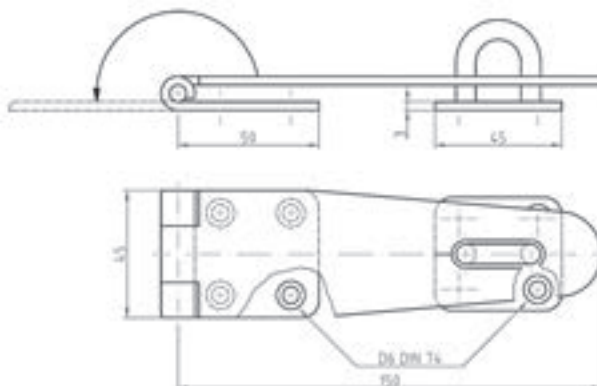


Art.code	Surface	Article description	Unit	Weight
N-230090.0	S/S	Door hinge 50x40x1,8 mm, for screws 3,5x20 mm	pc.	0,030
N-230091.0	S/S	Door hinge 60x50x2 mm, for screws 4x20 mm	pc.	0,050
N-230092.0	S/S	Door hinge 80x70x2,2 mm, for screws 5x25 mm	pc.	0,110
N-230093.0	S/S	Door hinge 100x80x3 mm, for screws 5x25 mm	pc.	0,220
N-230094.0	S/S	Door hinge 120x80x3 mm, for screws 5x25 mm	pc.	0,270

HASPS STAMPED - HASPS LOCKABLE STAMPED



- Material: Brass Ms 63

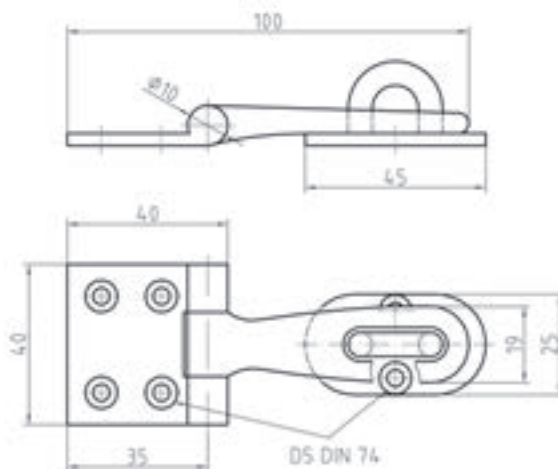


Art.code	Surface	Article description	Unit	Weight
570200.4	Bp	Hasp hinge stamped for padlocks with eye plate 150x45 mm	pc.	0,265
570200.6	Bpc	Hasp hinge stamped for padlocks with eye plate 150x45 mm	pc.	0,265
570200.9	Bmc	Hasp hinge stamped for padlocks with eye plate 150x45 mm	pc.	0,265

HASPS CASTED - HASPS LOCKABLE CASTED



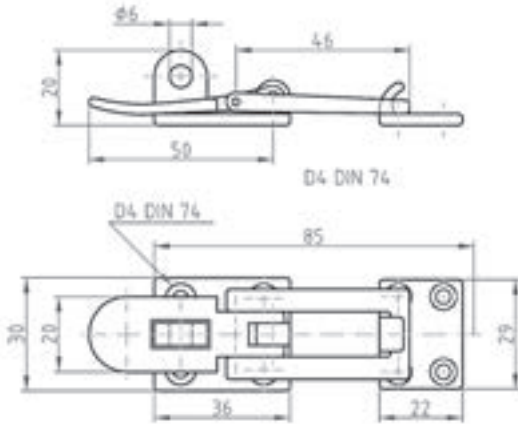
- Material: Brass Ms 63



Art.code	Surface	Article description	Unit	Weight
572100.4	Bp	Hasp hinge for padlocks with eye plate L=100 mm	pc.	0,120
572100.6	Bpc	Hasp hinge for padlocks with eye plate L=100 mm	pc.	0,120
572100.9	Bmc	Hasp hinge for padlocks with eye plate L=100 mm	pc.	0,120
572125.4	Bp	Hasp hinge for padlocks with eye plate L=125 mm	pc.	0,140
572125.6	Bpc	Hasp hinge for padlocks with eye plate L=125 mm	pc.	0,140
572125.9	Bmc	Hasp hinge for padlocks with eye plate L=125 mm	pc.	0,140

HASPS CASTED - HASPS LOCKABLE LIGHT VERSION

• Material: Brass Ms 63



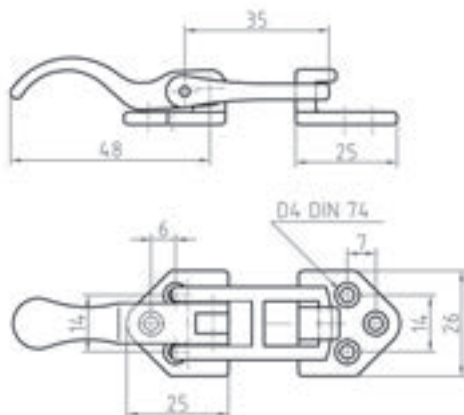
Art.code	Surface	Article description	Unit	Weight
577000.1	Brp	Hasp with straight fixing plate 85x26 mm	pc.	0,090
577000.3	Brpc	Hasp with straight fixing plate 85x26 mm	pc.	0,090
577000.4	Bp	Hasp with straight fixing plate 85x26 mm	pc.	0,090
577000.6	Bpc	Hasp with straight fixing plate 85x26 mm	pc.	0,090
577000.9	Bmc	Hasp with straight fixing plate 85x26 mm	pc.	0,090
577100.1	Brp	Hasp with inside angle plate 85x26 mm	pc.	0,115
577100.3	Brpc	Hasp with inside angle plate 85x26 mm	pc.	0,115
577100.4	Bp	Hasp with inside angle plate 85x26 mm	pc.	0,115
577100.6	Bpc	Hasp with inside angle plate 85x26 mm	pc.	0,115
577100.9	Bmc	Hasp with inside angle plate 85x26 mm	pc.	0,115
577200.1	Brp	Hasp with outside angle plate 85x26 mm	pc.	0,130
577200.3	Brpc	Hasp with outside angle plate 85x26 mm	pc.	0,130
577200.4	Bp	Hasp with outside angle plate 85x26 mm	pc.	0,130
577200.6	Bpc	Hasp with outside angle plate 85x26 mm	pc.	0,130
577200.9	Bmc	Hasp with outside angle plate 85x26 mm	pc.	0,130

HASPS CASTED - HASPS NOT LOCKABLE LIGHT VERSION

• Material: Brass Ms 63



Abb. 576000

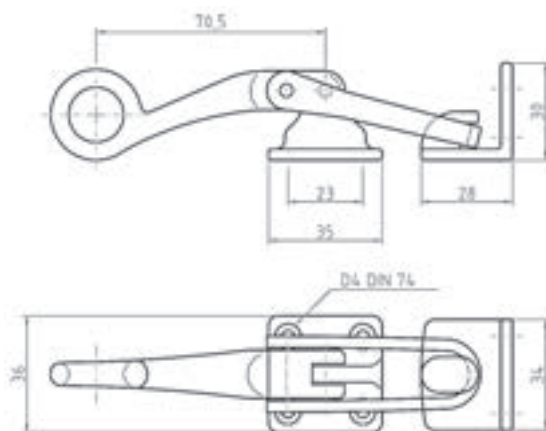


Art.code	Surface	Article description	Unit	Weight
576000.1	Brp	Hasp with straight fixing plate 60x26 mm	pc.	0,070
576000.3	Brpc	Hasp with straight fixing plate 60x26 mm	pc.	0,070
576000.4	Bp	Hasp with straight fixing plate 60x26 mm	pc.	0,070
576000.6	Bpc	Hasp with straight fixing plate 60x26 mm	pc.	0,070
576000.9	Bmc	Hasp with straight fixing plate 60x26 mm	pc.	0,070

HASPS WITH RING GRIP CASTED VERSION - HASPS NOT LOCKABLE

• Material: Brass Ms 63

• Available as well with straight fixing plate

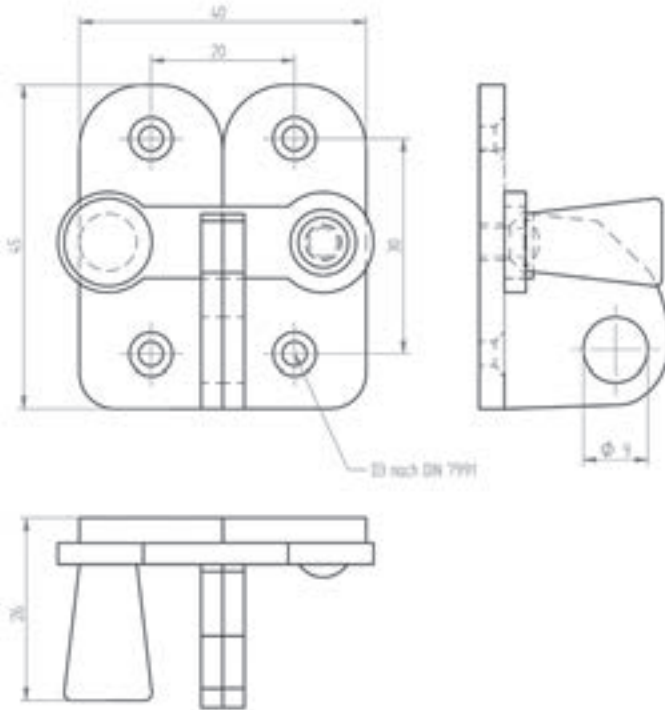


Art.code	Surface	Article description	Unit	Weight
574100.1	Brp	Hasp with ring grip	pc.	0,205
574100.3	Brpc	Hasp with ring grip	pc.	0,205
574100.4	Bp	Hasp with ring grip	pc.	0,205
574100.6	Bpc	Hasp with ring grip	pc.	0,205
574100.9	Bmc	Hasp with ring grip	pc.	0,205

WARDROBE FASTENER - WARDROBE FASTENER LOCKABLE

• Material: Brass Ms 63

• Also available in other surfaces

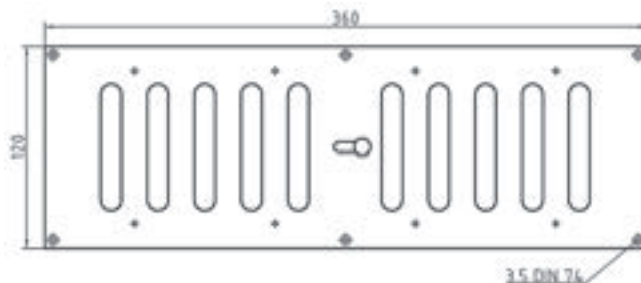


Art.code	Surface	Article description	Unit	Weight
550110.9	Bmc	Wardrobe locker set 45 mm, right	pc.	0,090
550120.9	Bmc	Wardrobe locker set 45 mm, left	pc.	0,090

VENTILATING VALVES ANGULAR - VENTILATING VALVES 2703



- Material: Brass Ms 58

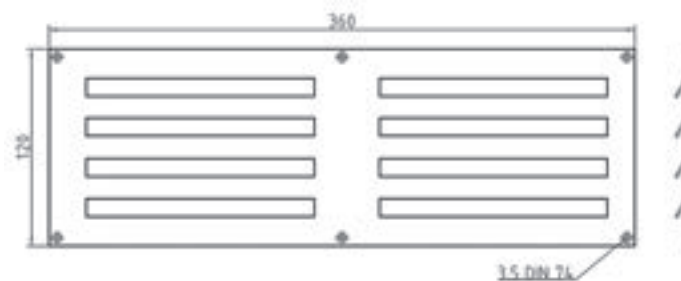


Art.code	Surface	Article description	Unit	Grp
270300.4	Bp	Ventilating valve 36x12 mm, without counter slide, Air admission 109 cm ³	pc.	0,580
270300.6	Bpc	Ventilating valve 36x12 mm, without counter slide, Air admission 109 cm ³	pc.	0,580
270300.9	Bmc	Ventilating valve 36x12 mm, without counter slide, Air admission 109 cm ³	pc.	0,580

VENTILATING VALVES ANGULAR - VENTILATING VALVE COUNTERPLATE 2753



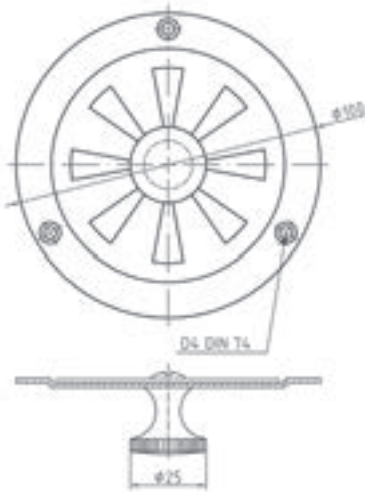
- Material: Brass Ms 58



Art.code	Surface	Article description	Unit	Weight
275300.4	Bp	Counter plate for ventilating valve Nr. 270300, 360x120 mm	pc.	0,530
275300.6	Bpc	Counter plate for ventilating valve Nr. 270300, 360x120 mm	pc.	0,530
275300.9	Bmc	Counter plate for ventilating valve Nr. 270300, 360x120 mm	pc.	0,530

VENTILATING VALVES ROUND - ROUND VALVES 2721-2725

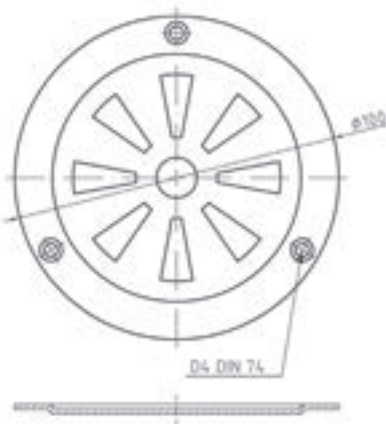
- Material: Brass Ms 58
- Other surfaces: Chrome plated or satin matt chrome
- Also available with assembled knob inside



Art.code	Surface	Article description	Unit	Weight
272102.4	Bp	Ventilating valve round with knob outside, diameter 200 mm	pc.	0,460
272202.4	Bp	Ventilating valve round with knob outside, diameter 175 mm	pc.	0,375
272302.4	Bp	Ventilating valve round with knob outside, diameter 150 mm	pc.	0,300
272402.4	Bp	Ventilating valve round with knob outside, diameter 125 mm	pc.	0,370
272502.4	Bp	Ventilating valve round with knob outside, diameter 100 mm	pc.	0,160

VENTILATING VALVES ROUND - VENTILATING COUNTER PLATES 2771-2775

- Material: Brass Ms 58
- Other surfaces: Chrome plated or satin matt chrome



Art.code	Surface	Article description	Unit	Weight
277100.4	Bp	Counter plate for ventilating valve, diameter 200 mm	pc.	0,285
277200.4	Bp	Counter plate for ventilating valve, diameter 175 mm	pc.	0,230
277300.4	Bp	Counter plate for ventilating valve, diameter 150 mm	pc.	0,175
277400.4	Bp	Counter plate for ventilating valve, diameter 125 mm	pc.	0,140
277500.4	Bp	Counter plate for ventilating valve, diameter 100 mm	pc.	0,090

10 INTERIOR HARDWARE

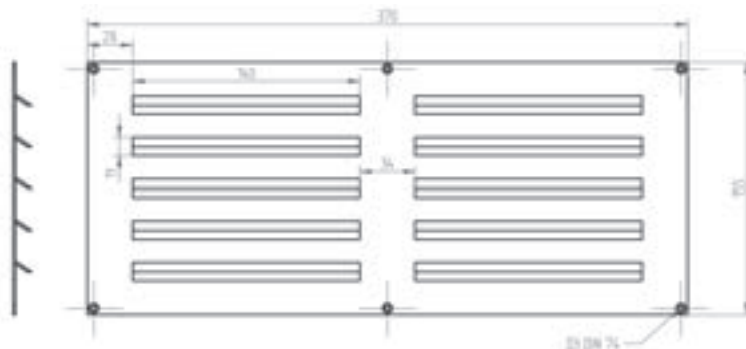
AIR VENTILATING ELEMENTS BRASS



VENTILATING GRILLS - VENTILATING GRILL ANGULAR

Stainless steel A2

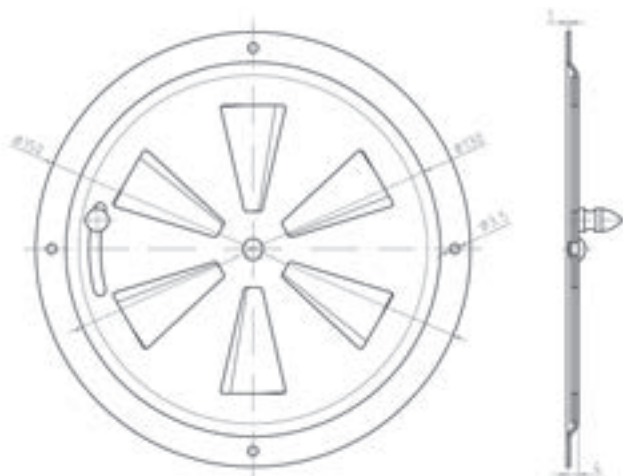
- Material: Stainless steel A2



Art.code	Surface	Article description	Unit	Weight
N-275100.9	S/S matt	Ventilating grill 370x200x1,25 mm (14 outcuts)	pc.	0,580
N-275200.9	S/S matt	Ventilating grill 370x155x1,25 mm (10 outcuts)	pc.	0,560
N-275300.9	S/S matt	Ventilating grill 360x120x1,25 mm (10 outcuts)	pc.	0,470
N-275400.9	S/S matt	Ventilating grill 360x112x1,25 mm (8 outcuts)	pc.	0,460
N-275500.9	S/S matt	Ventilating grill 360x90x1,25 mm (6 outcuts)	pc.	0,380
N-275600.9	S/S matt	Ventilating grill 336x90x1,25 mm (6 outcuts)	pc.	0,300
N-275700.9	S/S matt	Ventilating grill 180x90x1,25 mm (3 outcuts)	pc.	0,180

VENTILATING VALVES ROUND - ROUND VALVES STAINLESS STEEL

- Material: Stainless steel A2, Satin matt surface on request

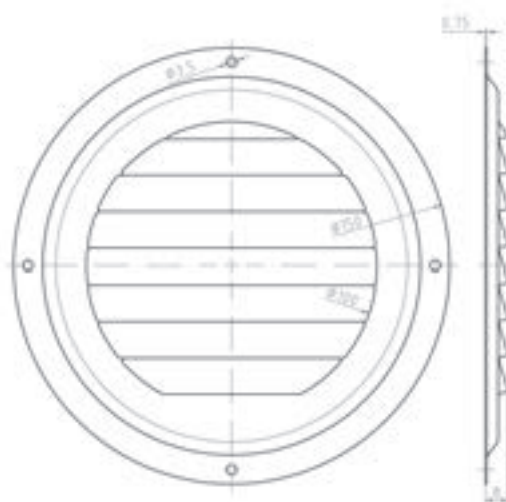


Art.code	Surface	Article description	Unit	Weight
N-272302.4	S/S polished	Ventilating valve round 150 mm, with knob	pc.	0,170
N-272402.4	S/S polished	Ventilating valve round 125 mm, with knob	pc.	0,150
N-272502.4	S/S polished	Ventilating valve round 100 mm, with knob	pc.	0,130

VENTILATING VALVES ROUND - VENTILATING PLATE RD STAINLESS STEEL

with insect grid

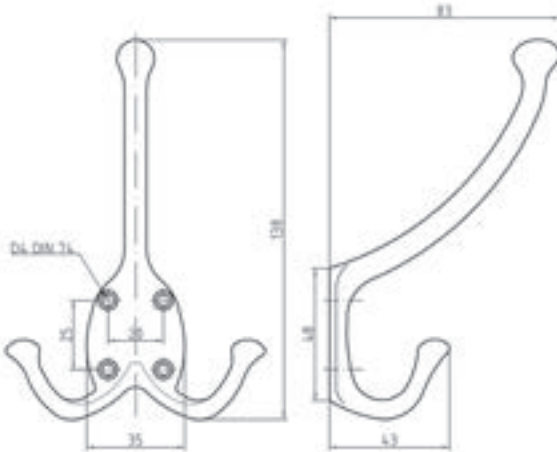
- Material: Stainless steel A2, Satin matt surface on request



Art.code	Surface	Article description	Unit	Weight
N-277300.4	S/S polished	Ventilating plate Rd 150 mm with insect grid	pc.	0,090
N-277400.4	S/S polished	Ventilating plate Rd 125 mm with insect grid	pc.	0,080
N-277500.4	S/S polished	Ventilating plate Rd 100 mm with insect grid	pc.	0,070

HAT AND COAT HOOKS - HAT AND COAT HOOKS 2 ARMS

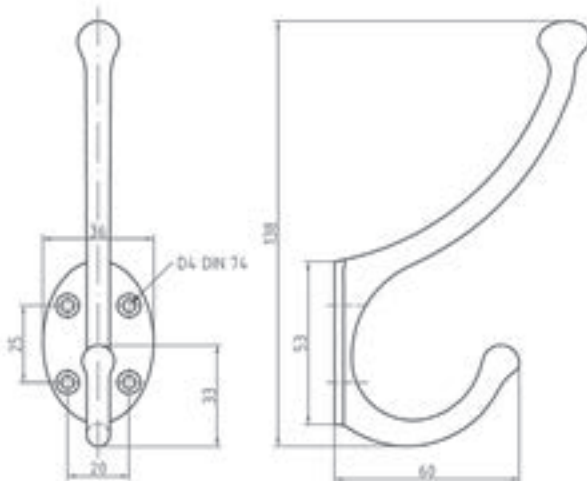
• Material: Brass Ms 63



Art.code	Surface	Article description	Unit	Weight
590000.4	Bp	Hat and coat hook, two arms	pc.	0,160
590000.6	Bpc	Hat and coat hook, two arms	pc.	0,160
590000.9	Bmc	Hat and coat hook, two arms	pc.	0,160

HAT AND COAT HOOKS - HAT AND COAT HOOKS 1 ARM

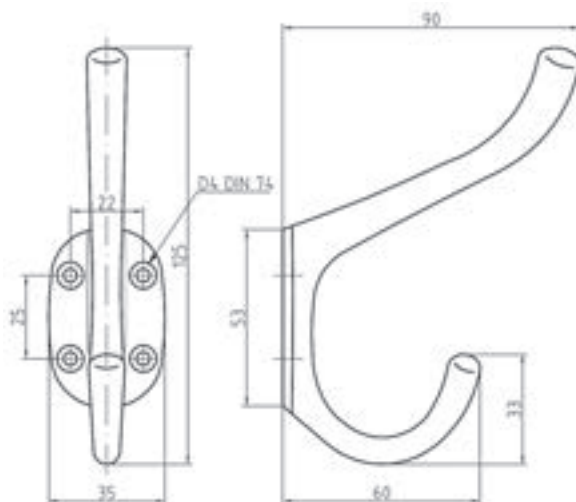
• Material: Brass Ms 63



Art.code	Surface	Article description	Unit	Weight
590100.4	Bp	Hat and coat hook, one arm	pc.	0,150
590100.6	Bpc	Hat and coat hook, one arm	pc.	0,150
590100.9	Bmc	Hat and coat hook, one arm	pc.	0,150

HAT AND COAT HOOKS - HAT AND COAT HOOKS DIN 81407 A

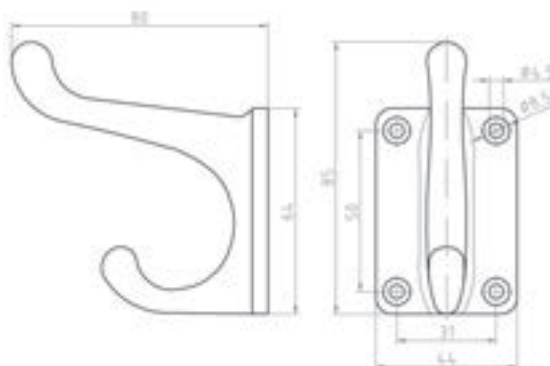
• Material: Brass Ms 63



Art.code	Surface	Article description	Unit	Weight
590200.4	Bp	Hat and coat hook, heavy version, DIN 81407 A	pc.	0,170
590200.6	Bpc	Hat and coat hook, heavy version, DIN 81407 A	pc.	0,170
590200.9	Bmc	Hat and coat hook, heavy version, DIN 81407 A	pc.	0,170

HAT AND COAT HOOKS - HAT AND COAT HOOK 5908

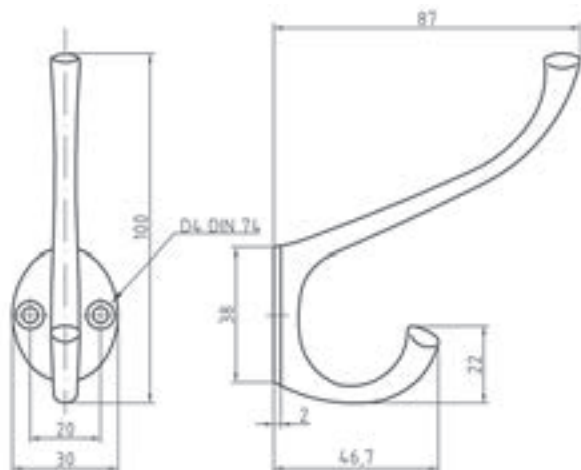
• Material: Aluminium anodized or brass Ms 63



Art.code	Surface	Article description	Unit	Weight
590800.0	Alu	Hat and coat hook	pc.	0,024
590800.4	Bp	Hat and coat hook	pc.	0,245
590800.6	Bpc	Hat and coat hook	pc.	0,245
590800.9	Bmc	Hat and coat hook	pc.	0,245

HAT AND COAT HOOKS - HAT AND COAT HOOK NR. 2121

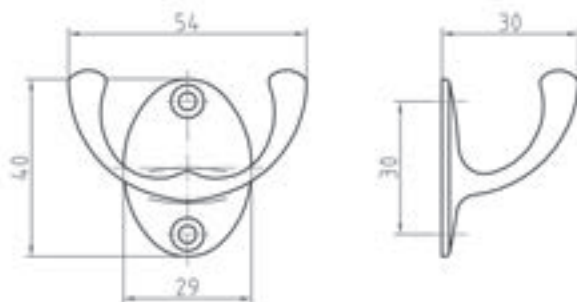
• Material: Brass Ms 63



Art.code	Surface	Article description	Unit	Weight
H-2121.4	Bp	Hat and coat hook small, Nr. 2121	pc.	0,080
H-2121.6	Bpc	Hat and coat hook small, Nr. 2121	pc.	0,080
H-2121.9	Bmc	Hat and coat hook small, Nr. 2121	pc.	0,080

COAT HOOK TWIN - COAT HOOK TWIN 30 MM

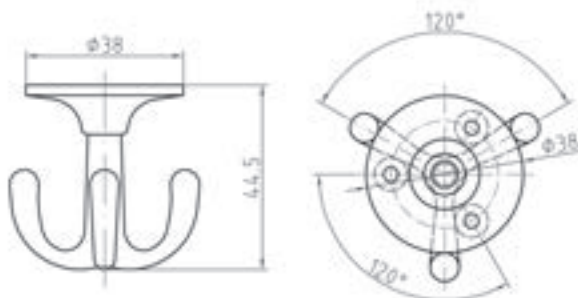
• Material: Brass Ms 63



Art.code	Surface	Article description	Unit	Weight
590300.4	Bp	Coat hook 30 mm twin	pc.	0,060
590300.6	Bpc	Coat hook 30 mm twin	pc.	0,060
590300.9	Bmc	Coat hook 30 mm twin	pc.	0,060

CEILING TURN HOOK - CEILING TURN HOOK TURNABLE

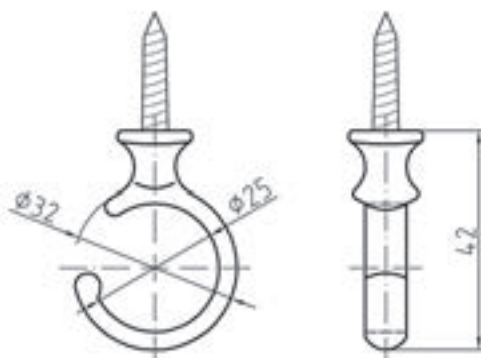
• Material: Brass Ms 63



Art.code	Surface	Article description	Unit	Weight
593000.1	Brp	Ceiling hook turnable	pc.	0,080
593000.2	Brpn	Ceiling hook turnable	pc.	0,080

CUP HOOKS BRASS - CUP HOOKS DIN 81408

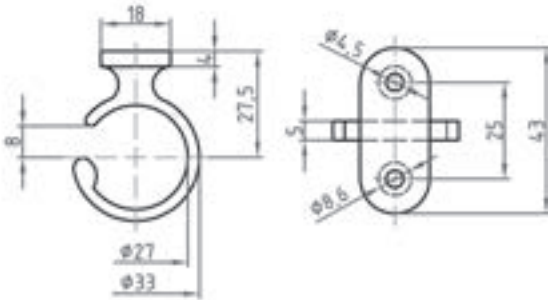
• Material: Brass Ms 63



Art.code	Surface	Article description	Unit	Weight
591025.4	Bp	Cup hook 25 mm, DIN 81408 with steel galvanized screw	pc.	0,020
591025.6	Bpc	Cup hook 25 mm, DIN 81408 with steel galvanized screw	pc.	0,020
591025.9	Bmc	Cup hook 25 mm, DIN 81408 with steel galvanized screw	pc.	0,020

CUP HOOKS BRASS - CEILING HOOKS

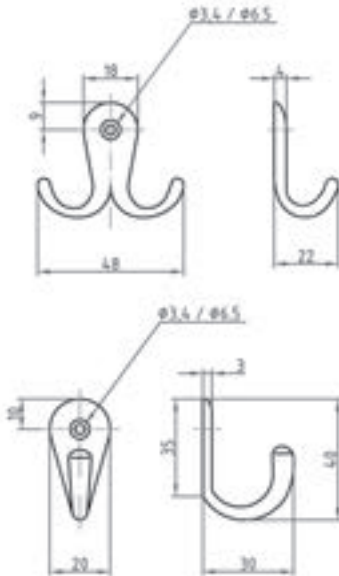
• Material: Brass Ms 63



Art.code	Surface	Article description	Unit	Weight
592000.4	Bp	Ceiling hook 30 mm	pc.	0,040
592000.6	Bpc	Ceiling hook 30 mm	pc.	0,040
592000.9	Bmc	Ceiling hook 30 mm	pc.	0,040

TOWELL HOOKS - TOWELL HOOKS 40 MM

• Material: Brass Ms 63

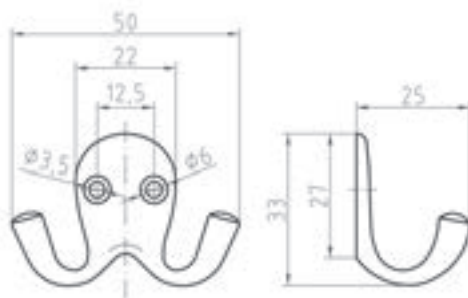


Art.code	Surface	Article description	Unit	Weight
H-7563.1	Bp	Towel twin hook No. 756/40 mm	pc.	0,024
H-7563.3	Bpc	Towel twin hook No. 756/40 mm	pc.	0,024
H-7545.1	Bp	Towel hook single No. 754/40 mm	pc.	0,015
H-7545.3	Bpc	Towel hook single No. 754/40 mm	pc.	0,015

TOWEL HOOKS - COAT HOOK 40 MM



- Material: Brass Ms 63

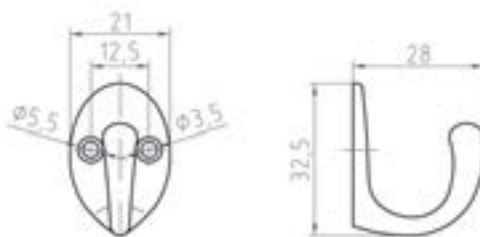


Art.code	Surface	Article description	Unit	Weight
H-6121.1	Brp	Coat hook twin, 40 mm	pc.	0,025
H-6121.3	Brpc	Coat hook twin, 40 mm	pc.	0,025

TOWEL HOOKS - COAT HOOK NR. 6111



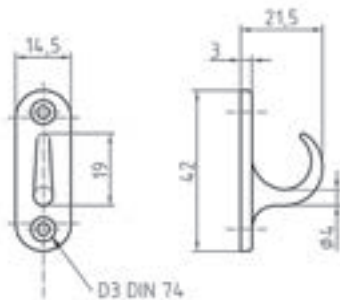
- Material: Brass Ms 63



Art.code	Surface	Article description	Unit	Weight
H-6111.1	Brp	Coat hook Nr. 6111, single	pc.	0,020
H-6111.3	Brpc	Coat hook Nr. 6111, single	pc.	0,020

TOWELL HOOKS - DIN 81407 F

• Material: Brass Ms 63

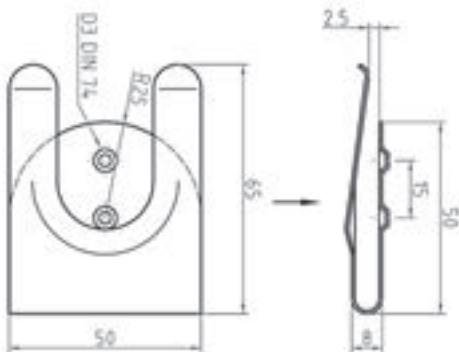


Art.code	Surface	Article description	Unit	Weight
594000.4	Bp	Towell hook DIN 81407 F, Nr. 310	pc.	0,020
594000.6	Bpc	Towell hook DIN 81407 F, Nr. 310	pc.	0,020
594000.9	Bmc	Towell hook DIN 81407 F, Nr. 310	pc.	0,020

WINE GLASS HOLDER STAINLESS STEEL - WINE GLASS HOLDER 0,8 MM

• Material: Stainless steel A2

• Material thickness 0,8 mm



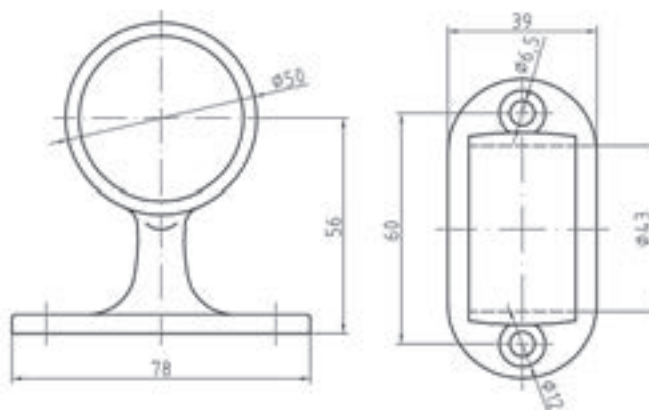
Art.code	Surface	Article description	Unit	Weight
537075.0	S/S raw	Wine glass holder 0,8 mm	pc.	0,030

RAILING HOLDERS BRASS - HANDRAIL MIDDLE HOLDER

• Material: Brass Ms 63



Abb. 580300



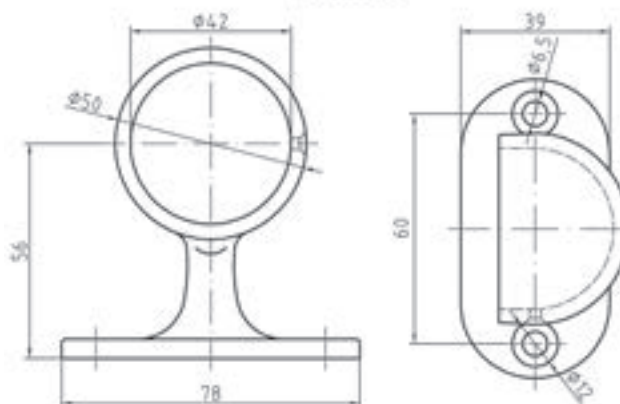
Art.code	Surface	Article description	Unit	Weight
580300.4	Bp	Handrail middle part 43 mm, Nr. 412	pc.	0,260
580300.6	Bpc	Handrail middle part 43 mm, Nr. 412	pc.	0,260
580300.9	Bmc	Handrail middle part 43 mm, Nr. 412	pc.	0,260

RAILING HOLDERS BRASS - HANDRAIL END PARTS

• Material: Brass Ms 63



Abb. 580200

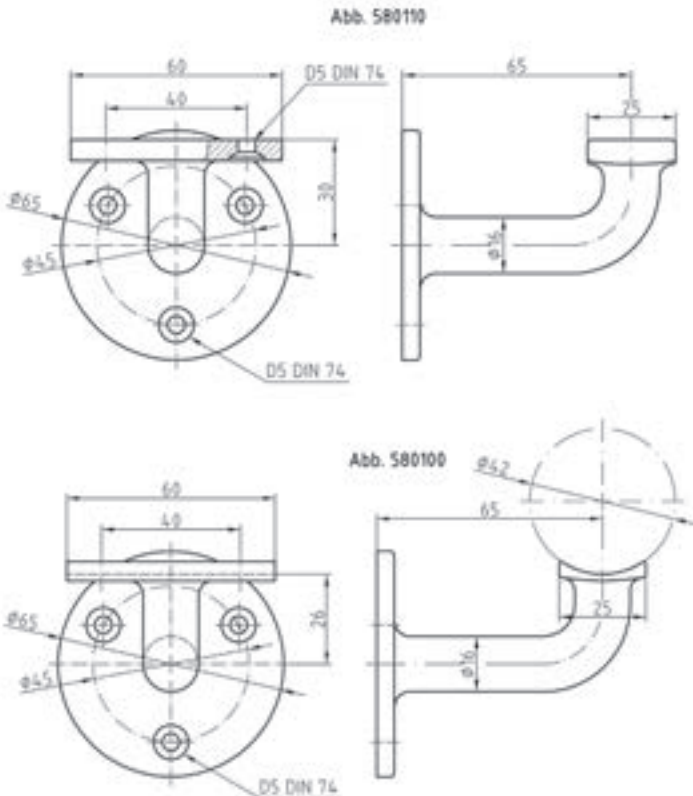


Art.code	Surface	Article description	Unit	Weight
580200.4	Bp	Handrail end part 42 mm, Nr. 413	pc.	0,260
580200.6	Bpc	Handrail end part 42 mm, Nr. 413	pc.	0,260
580200.9	Bmc	Handrail end part 42 mm, Nr. 413	pc.	0,260

RAILING HOLDERS BRASS - HANDRAIL BRACKETS

With oval or straight supporting plate

- Material: Brass Ms 63



Art.code	Surface	Article description	Unit	Weight
580100.4	Bp	Handrail bracket L=65 mm for tube 42 mm	pc.	0,350
580100.6	Bpc	Handrail bracket L=65 mm for tube 42 mm	pc.	0,350
580100.9	Bmc	Handrail bracket L=65 mm for tube 42 mm	pc.	0,350
580110.4	Bp	Handrail bracket L=65 mm, straight support	pc.	0,330
580110.6	Bpc	Handrail bracket L=65 mm, straight support	pc.	0,330
580110.9	Bmc	Handrail bracket L=65 mm, straight support	pc.	0,330

BOARD HOLDER CASTED OR STAMPED - BOARD HOLDER

• Material: Brass Ms 63

• Further sizes on request



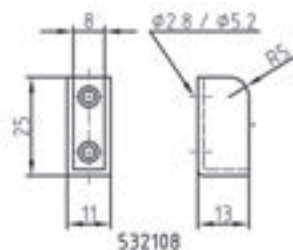
532010.9



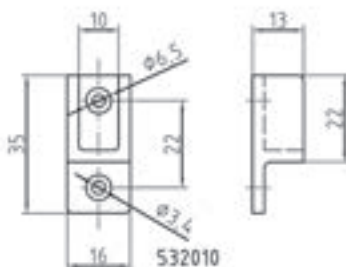
532108.9



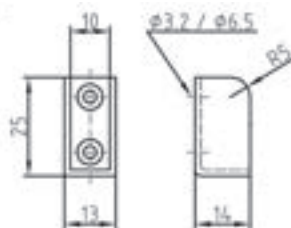
532110.9



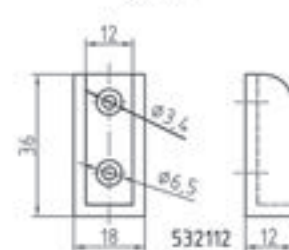
532108



532010



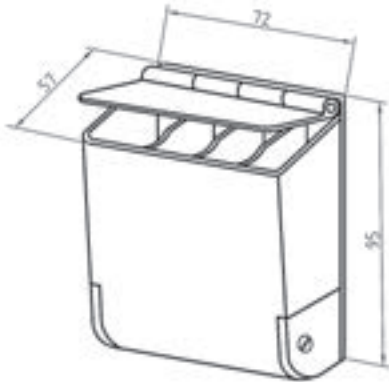
532110



532112

Art.code	Surface	Article description	Unit	Weight
532108.4	Bp	Board holder 25 mm length for 8 mm wood thickness, stamped	pc.	0,013
532108.6	Bpc	Board holder 25 mm length for 8 mm wood thickness, stamped	pc.	0,013
532108.9	Bmc	Board holder 25 mm length for 8 mm wood thickness, stamped	pc.	0,013
532010.4	Bp	Board holder 35 mm length for 10 mm wood thickness, casted	pc.	0,025
532010.6	Bpc	Board holder 35 mm length for 10 mm wood thickness, casted	pc.	0,025
532010.9	Bmc	Board holder 35 mm length for 10 mm wood thickness, casted	pc.	0,025
532112.4	Bp	Board holder 35 mm length for 12 mm wood thickness, casted	pc.	0,025
532112.6	Bpc	Board holder 35 mm length for 12 mm wood thickness, casted	pc.	0,025
532112.9	Bmc	Board holder 35 mm length for 12 mm wood thickness, casted	pc.	0,025
532116.4	Bp	Board holder 45 mm length for 16 mm wood thickness, casted	pc.	0,025
532116.6	Bpc	Board holder 45 mm length for 16 mm wood thickness, casted	pc.	0,025
532116.9	Bmc	Board holder 45 mm length for 16 mm wood thickness, casted	pc.	0,025

ASHTRAY FOR WALL MOUNTING - ASHTRAY FOR WALLMOUNTING ALUMI-
NIUM ANODIZED



Art.code	Surface	Article description	Unit	Weight
600150.0	Al anodized	Ashtray for wall mounting 95x72 mm	set	0,325

