

HANDLE LOCK SERIES

DS913



IP65 RoHS

Handling: Zinc alloy housing, panel, plastic electronic box.

Handling: High salt spray resistance

Application : Active electronic lock

Rated voltage: DC 12V

Rated current: ≤0.25A

Consumption Power: ≤3W

Remark : This product is suitable used for outdoor.

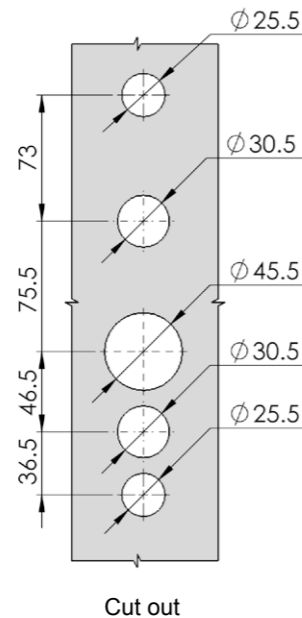
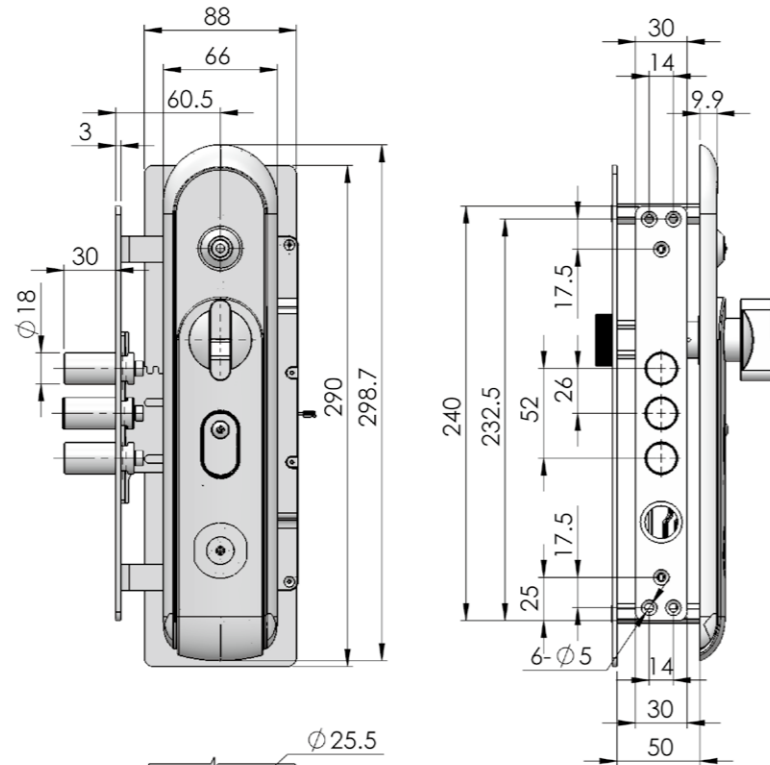
Read the operating instructions carefully before usage, operation according to the instructions.

Working Environment

Temperature: -40 ~ +65°C

Humidity: 5 ~ 90%

Altitude: -60m~4000m



ERP DS913Z2E723001

Optional functions	Optional accessories
Rotation handle	Unlock tool keys
Mechanical cylinder	Bluetooth electronic key
Electronic cylinder	10 core cable(meter)
Insert controlled	Mobile APP Software
Built-in bluetooth	PC Management Platform
RS485 Protocol communication function	

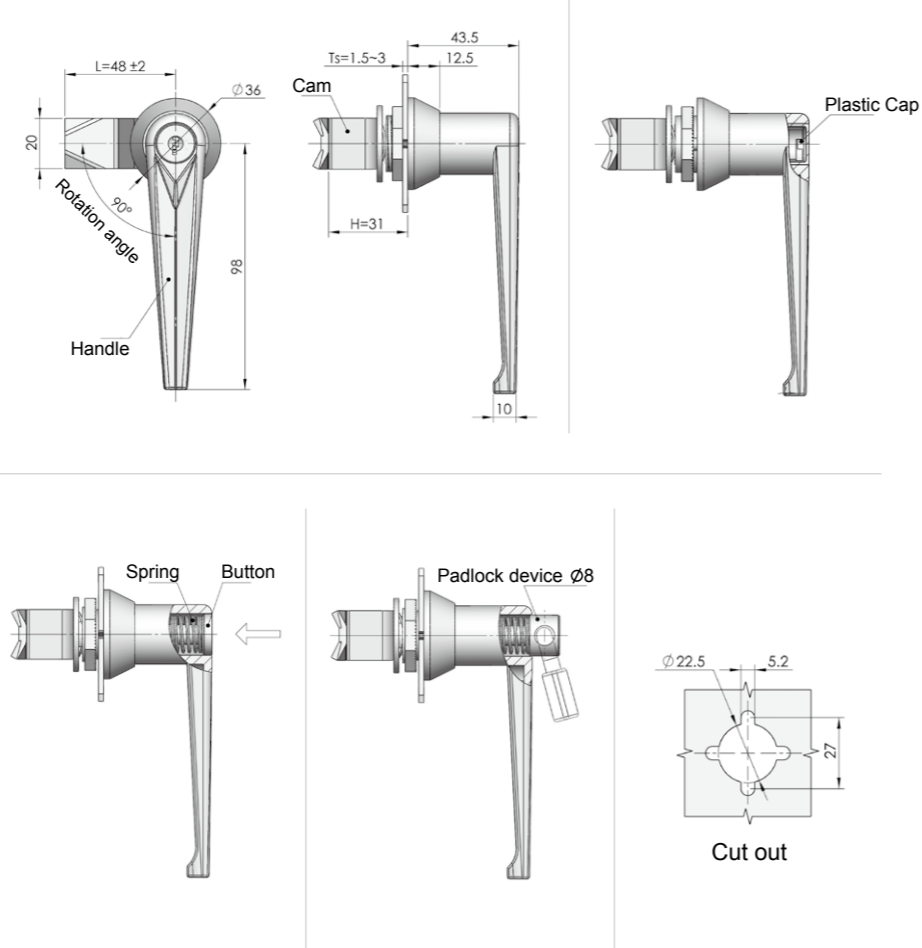
The default basic functions: remote door opening and signal sensing (no rotating handle) matching function and accessories need to be noted in the order.

Remark:Default cam S3C5800



Cylinder lock

MS301
MS302



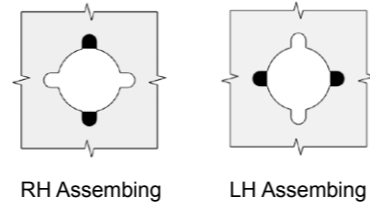
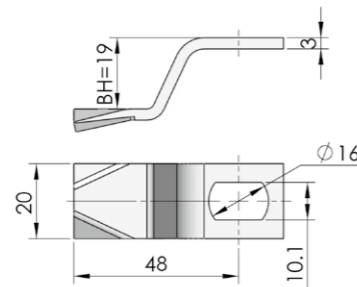
RL

Main material and finish : Bright chrome-plated ZDC handle and housing, white zinc-plated steel cam, bright chrome plated button and white zinc plated shaft
Application : Quarter-turn opening or closing
Remark : Default Key K050

Default cam : S1H48Y19002

Performance parameter:
Maximum static load:220N
Recommended nut tightening torque:20N.m
Maximum input torque:15N.m

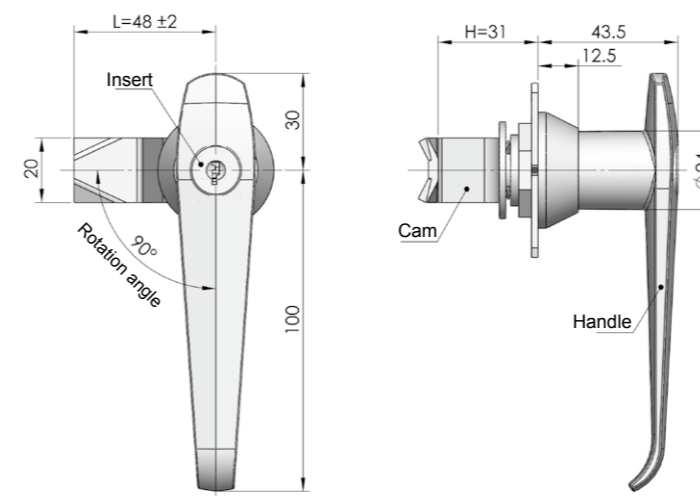
Cam S1H4819 (Optional)



Remark: shadow parts shows mounting hole allocation between housing and door panel

Specification	Model	ERP
With insert	MS301-1	MS301Z3A050008
Without insert	MS301-2	MS301Z3A000001
With button type	MS302-1	MS302Z3A000001
With padlock type	MS302-2	MS302Z3A000008

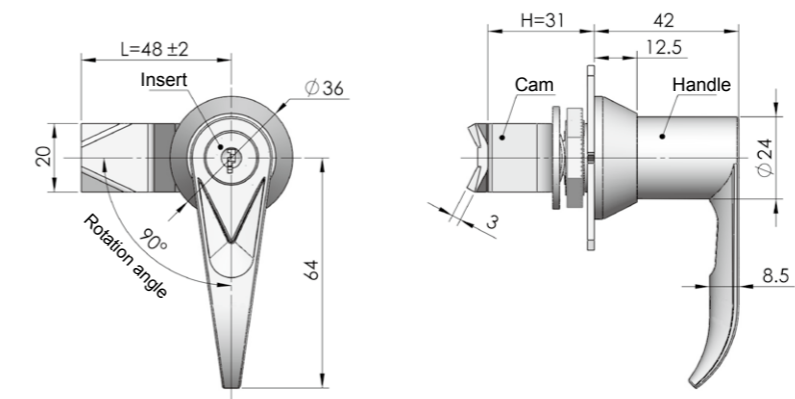
Remark : Default Cam S1H4819



Remark : RH, LH, and cam selection refer to MS301 on catalogue

ERP MS304Z3A050008

Remark : Default cam S1H4819



Remark:cut out size, RH, LH, and cam selection refer to MS301 on catalogue

Specification	Model	ERP
With insert	MS306-1	MS306Z3A050005
Without insert	MS306-2	MS306Z3A000007
With button type	MS306-3	MS306Z3A000002
With padlock type	MS306-4	MS306Z3A000006

Remark : Default Cam S1H4819

MS304



RL

Main material and finish : Bright chrome-plated ZDC handle and housing, white zinc-plated steel cam
Application : Quarter -turn opening or closing
Remark : Default Key K050

Default cam : S1H48Y19002

Performance parameter:
Maximum static load:220N
Recommended nut tightening torque:20N.m
Maximum input torque:15N.m

MS306



RL

Material and finish : Bright chrome-plated ZDC handle and housing, white zinc-plated steel cam, bright chrome plated steel button and shaft
Application : Quarter-turn opening or closing
Remark : Default key K050

Default cam : S1H48Y19002

Performance parameter:
Maximum static load:220N
Recommended nut tightening torque:20N.m
Maximum input torque:15N.m

Accessories
Electronic lock
Handle lock
Cylinder lock
Plane lock
Rod control lock
Panel lock
Toggle and hook
Handles
Door stop
Hinge
Seal gasket

Accessories
Electronic lock
Handle lock
Cylinder lock
Plane lock
Rod control lock
Panel lock
Toggle and hook
Handles
Door stop
Hinge
Seal gasket

MS307



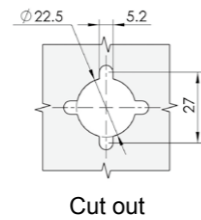
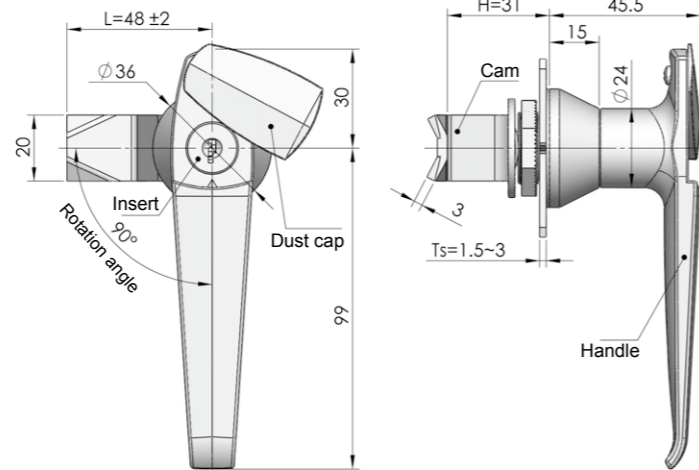
RL IP54

Main material and finish : Bright chrome-plated ZDC handle and housing, white zinc-plated steel cam
Remark : Default key K050

Default cam : S1H48Y19002

Performance parameter:

Maximum static load:220N
 Recommended nut tightening torque:20N.m
 Maximum input torque:15N.m



Remark : RH,LH, and cam selection please refer to MS301 on catalogue

ERP MS307Z3A050011

Remark : Default cam S1H4819

MS308-2



RL IP54

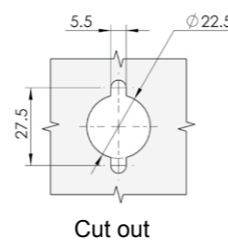
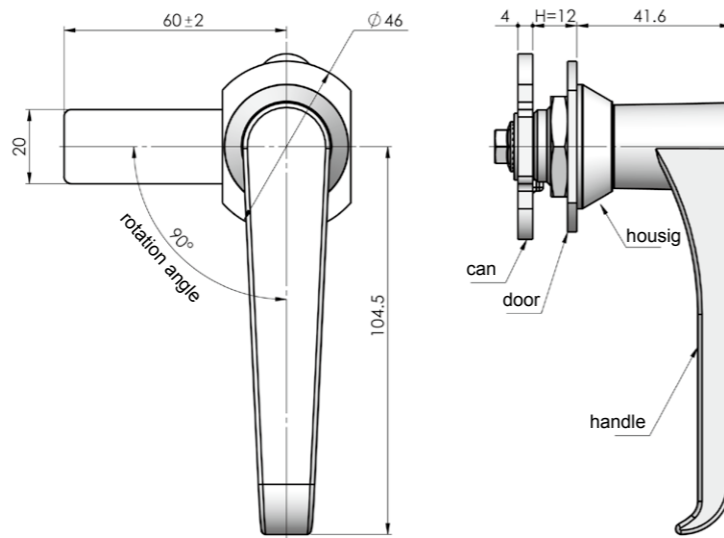
Main material and finish: Bright chrome plated ZDC handle, housing and white zinc plated steel cam.

Application: Quarter-turn opening and closing.

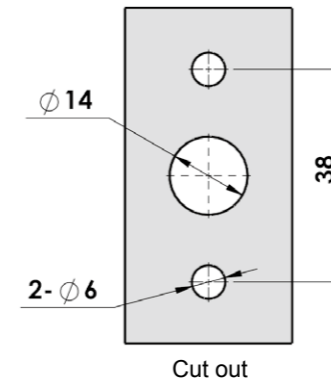
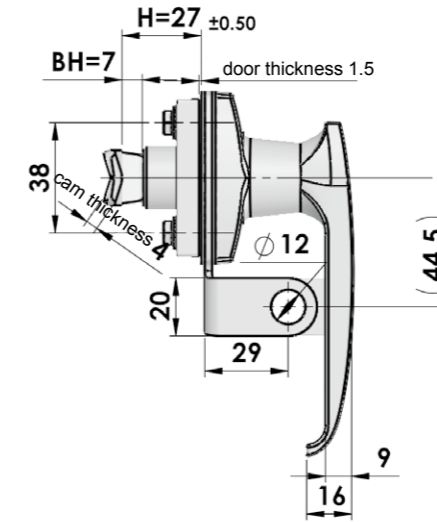
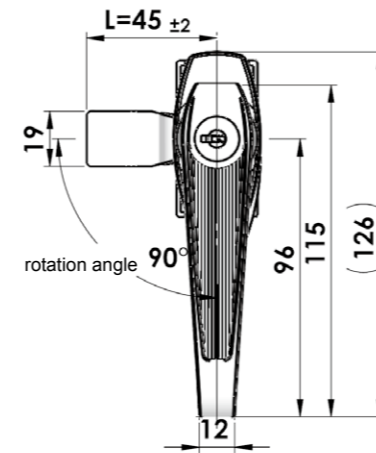
Remark:No key,cut out size same as MS308

Performance parameter

Maximum static load:220N
 Recommended nut tightening torque:20N.m
 Maximum input torque:15N.m



ERP MS308Z3A000004



MS315-4



RL IP55

Main material and finish:Bright chrome-plated ZDC handle,housing,insert,color zinc plated carbon steel shaft,stainless steel lock panel.

Application:Quarter-turn opening and closing.

Remark:Default key K280

Performance parameter

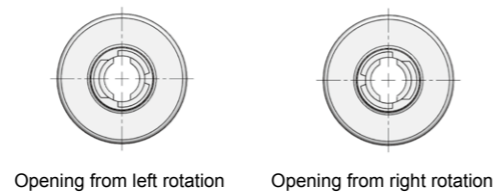
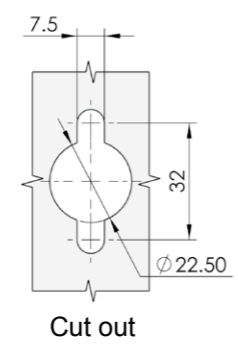
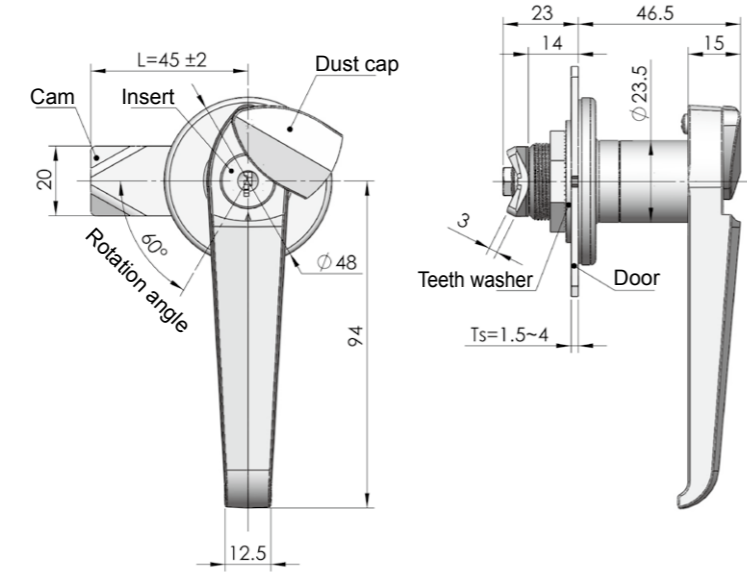
Handle load tension capability:780N
 Recommended nut tightening torque:5N.m
Maximum input torque:15N.m

Feature Description	Product item	ERP
with cylinder,with padlock device,LH	MS315-4-Z	MS315Z3A280018
with cylinder,with padlock device,RH	MS315-4-Y	MS315Z3A280013

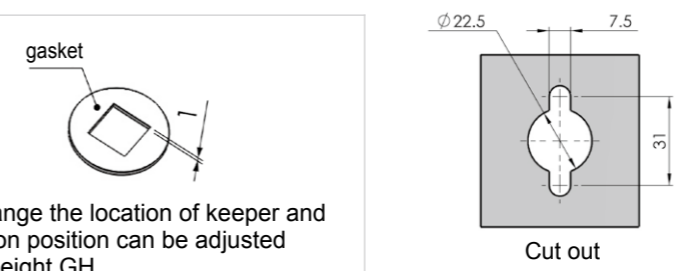
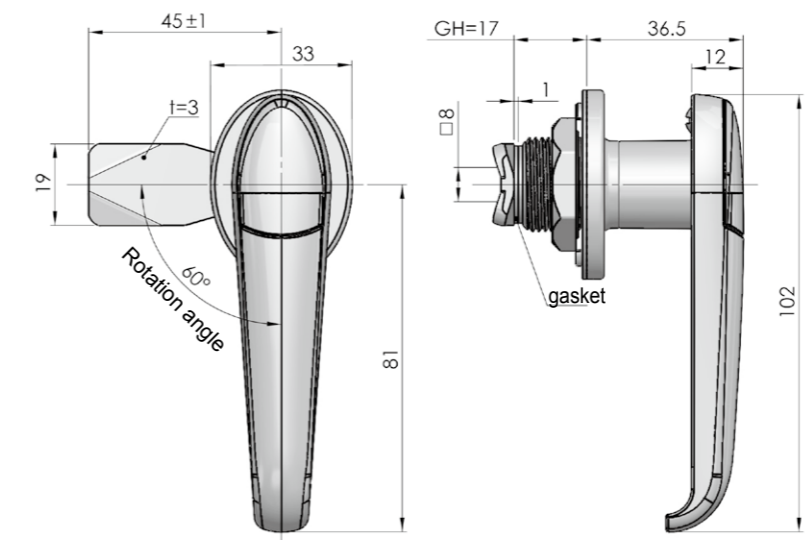


RL IP54

Main material and finish : Bright chrome-plated ZDC handle, housing and insert, white zinc-plated steel cam, teeth washer
Application : 60 degree rotation opening or closing
Remark : Default key K050
Default cam : S1B45Y00002
Performance parameter:
Maximum static load:140N
Recommended nut tightening torque:20N.m
Maximum input torque:15N.m

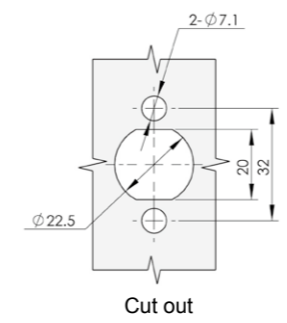
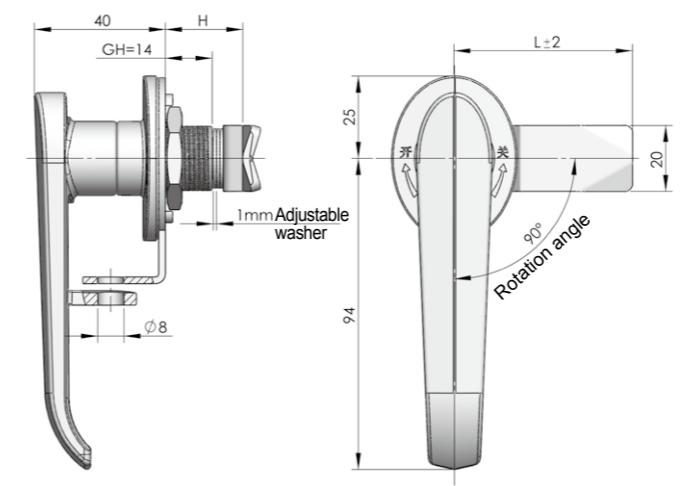


ERP MS317Z3A050001
 Remark : Default cam S1B4500



Remark : Change the location of keeper and cam installation position can be adjusted groundwork height GH

ERP MS317Z3A011001



ERP MS322Z2B000003
 Remark : Default cam S1B5406 (square 8*8 cam optional)



RL IP65

Main material and finish:Bright chrome plated ZDC handle, housing and dust cap.
Application: 60 degree rotation opening or closing.
Remark:Default key K110.
Performance parameter:
Maximum static load:220N
Recommended nut tightening torque:20N.m
Maximum input torque:15N.m



L IP65 3PL

Main material and finish : Nanometer painting ZDC handle and housing, white zinc-plated steel padlock and cam
Application : 90 degree rotation opening or closing, pad-lockable
Default cam : S1B54Y06001
Performance parameter:
Maximum static load:220N
Recommended nut tightening torque:20N.m
Maximum input torque:15N.m

Accessories
Electronic lock
Handle lock
Cylinder lock
Plane lock
Rod control lock
Panel lock
Toggle and hook
Handles
Door stop
Hinge
Seal gasket

Accessories
Electronic lock
Handle lock
Cylinder lock
Plane lock
Rod control lock
Panel lock
Toggle and hook
Handles
Door stop
Hinge
Seal gasket

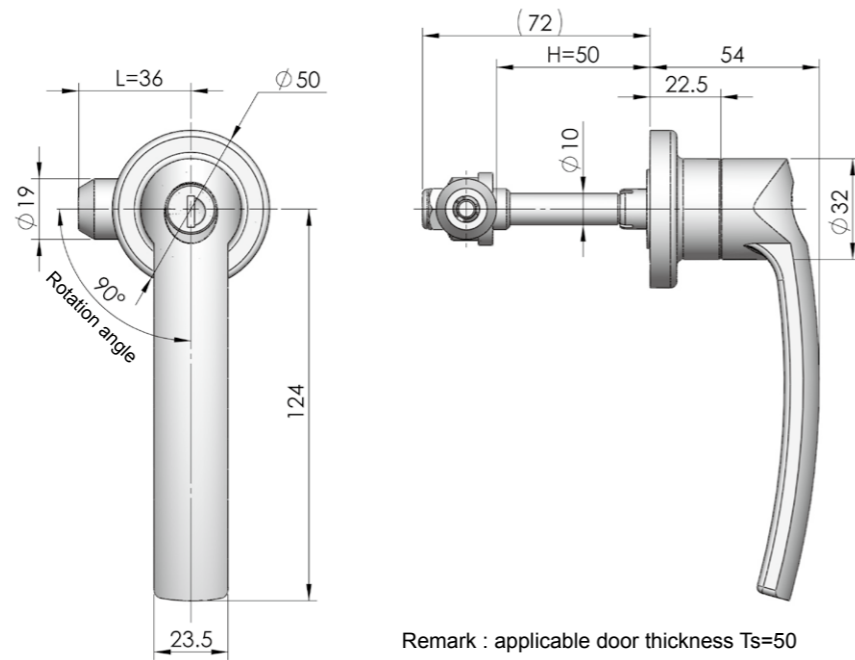
MS320



RL

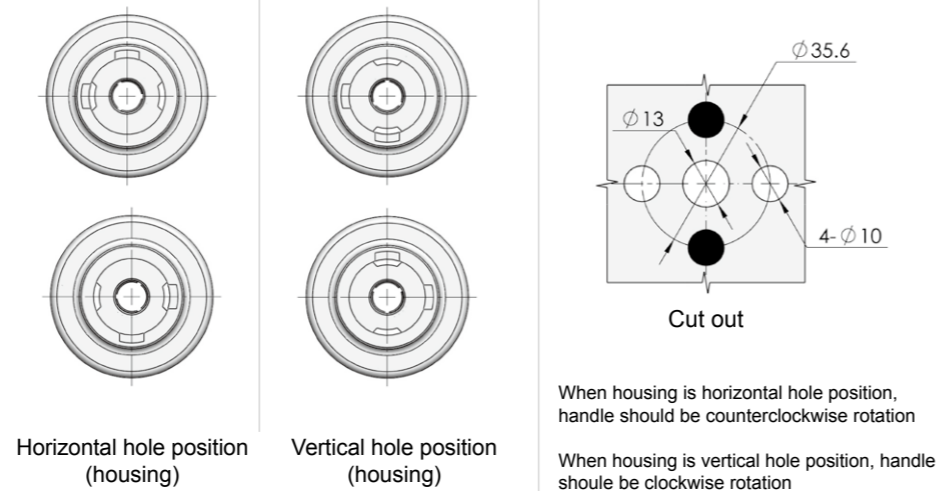
Main material and finish : PA handle and housing, white zinc-plated steel shaft
Application : Quarter-turn opening or closing
Remark : Default key K160

Performance parameter
Handle load tension capability:91N
Maximum input torque:10N.m



Remark : applicable door thickness Ts=50

Installation Method



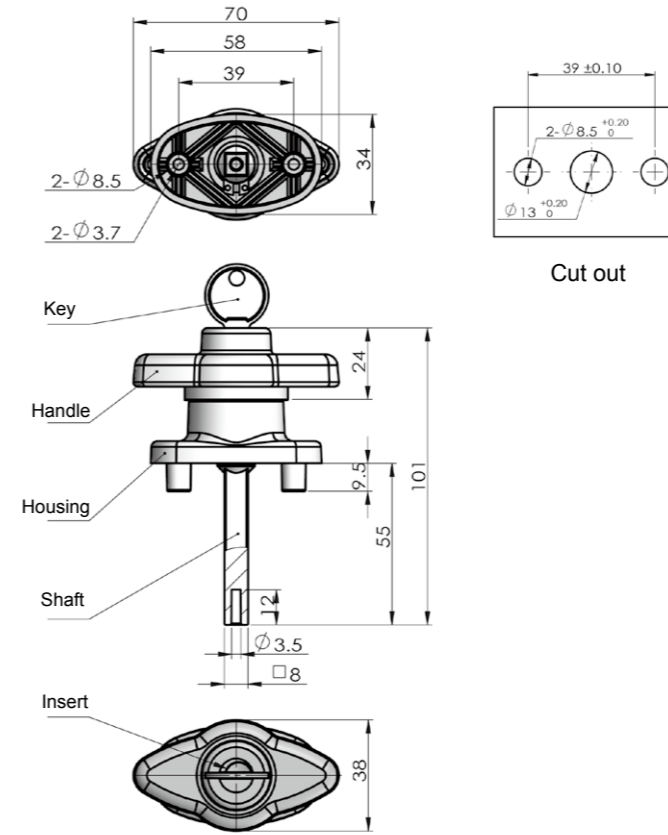
Horizontal hole position (housing)

Vertical hole position (housing)

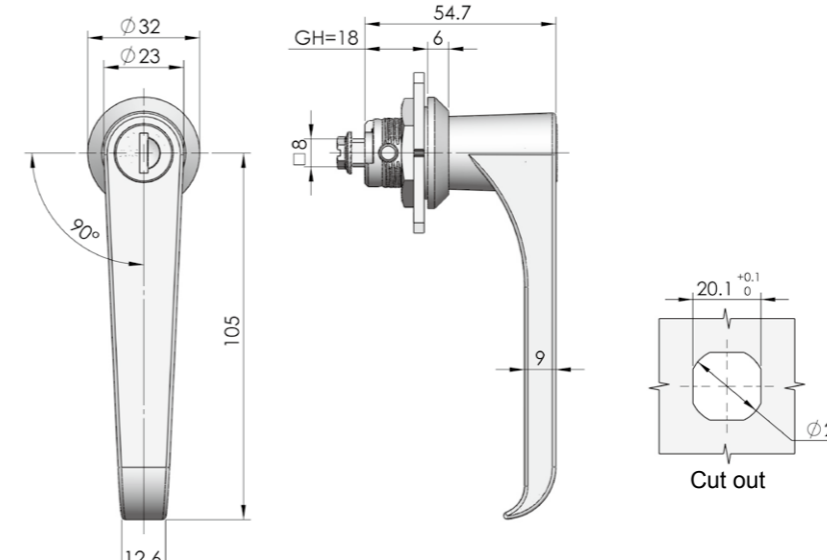
When housing is horizontal hole position, handle should be counterclockwise rotation

When housing is vertical hole position, handle should be clockwise rotation

ERP MS320N00160004



ERP MS323N00140001



	MS324-1 Black powder coating ZDC	MS324-1B Stainless steel
ERP	MS324Z1A140010	MS324S4B140007

Remark: Default cam S1B4507 (Square 8*8 cam optional)

MS323



RL

Material:PA6+30%GF black handle, and housing.
Application:90°rotation opening and closing.
Remark:L2D0143 cylinder components(with key), white zinc plated zinc alloy/K14 Blank key.

Performance parameter
Handle load tension capability:1750N
Maximum input torque:15N.m

MS324



RL IP54

Main material and finish : ZDC handle and housing, steel cam
Application : Handle 90 degree rotation opening or closing
Remark : Default key K140

Default cam : S1B45Y07002

Performance parameter:
Maximum static load:230N
Recommended nut tightening torque:20N.m
Maximum input torque:20N.m

MS324-2



Main material and finish : Black powder coating ZDC housing and handle, white zinc plating steel cam

Application : 90 degree rotation opening or closing

Remark : Default key K140

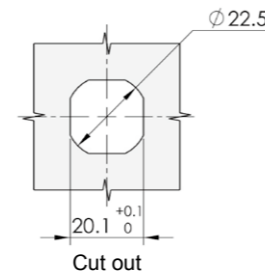
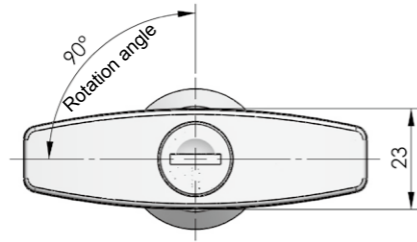
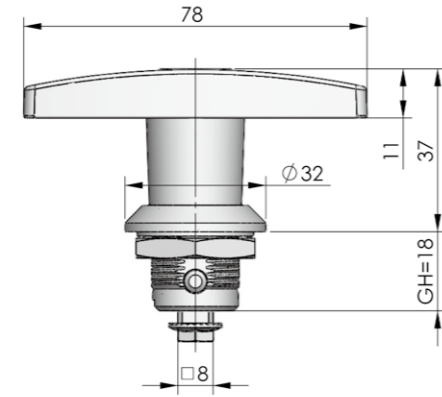
Default cam : S1B45Y07020

Performance parameter:

Maximum static load:270N

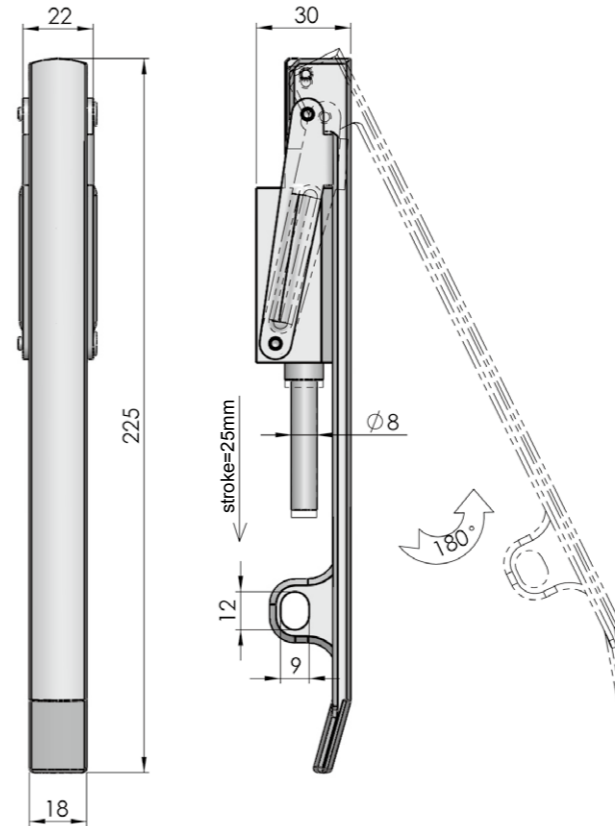
Recommended nut tightening torque:20N.m

Maximum input torque:20N.m



	MS324-2 With insert	MS324-2A Without insert
ERP	MS324Z1A140040	MS324Z1A000002

Remark : Default cam S1B4507 (square 8*8 cam optional)



MS324-3



Main material and finish: Black powder coating ZDC housing and handle, bright chrome plated lock cylinder components.

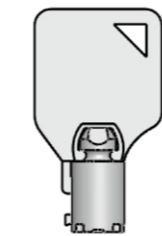
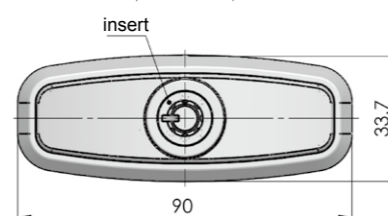
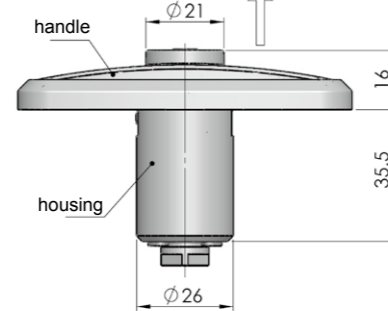
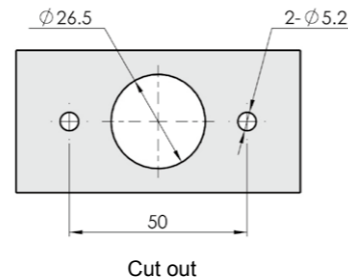
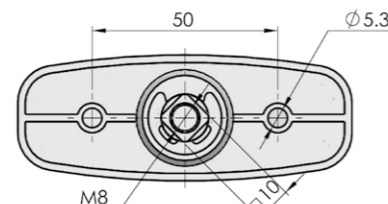
Application: Insert 180° rotation opening, handle bounces automatically and 360° rotation freely.

Remark:Default key K58-3

Performance parameter:

Maximum static load:270N

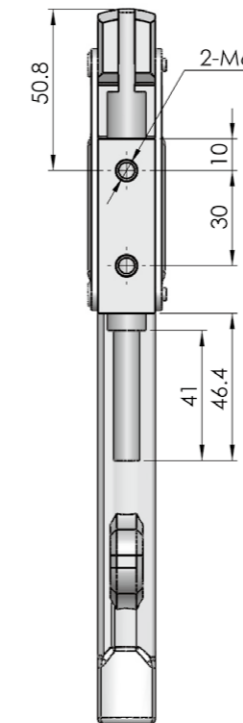
Maximum input torque:20N.m



Default key K58-3

ERP	MS324Z2AE04007
-----	----------------

Remark:default cam S1C7200



MS353



Main material and finish:White zinc plated ZDC housing,shaft,and holder.

Anti-corrosive Spraying

Application:Handle 180° rotation opening or closing,stroke 25mm.

Performance parameter:

Handle load tension capability:490N

ERP	MS353Z3D000001
-----	----------------

MS807-1



MS807-2



MS807-3



R **L** **IP54**

Main material and finish : Bright chrome-plated ZDC handle, housing, insert and dust-tight cap, white zinc-plated steel cam, teeth washer, and shaft

Application : Cam adjustable

Remark: Default key K050

Default cam: S1C45Y00003(Steel)

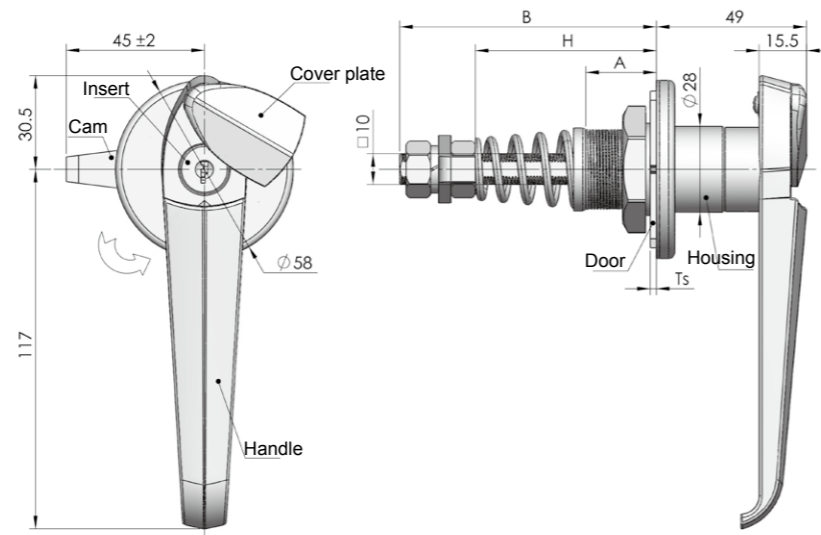
S1C45Y00004(Stainless steel)

Performance parameter:

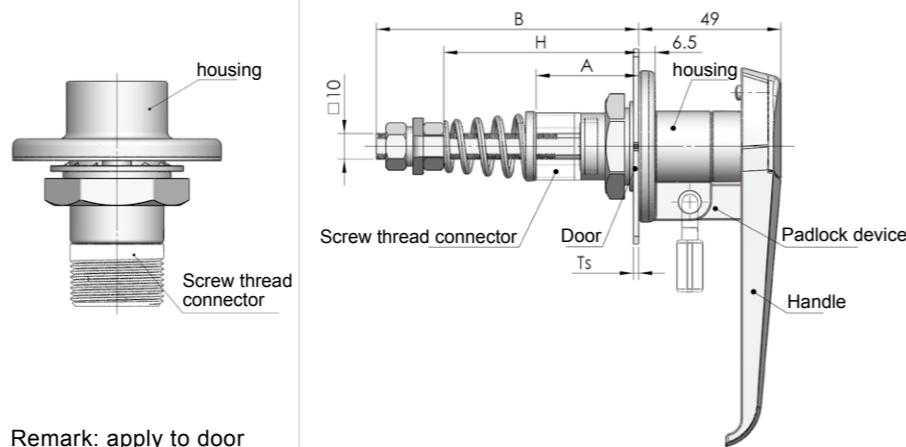
Maximum static load:242N

Recommended nut tightening torque:30N.m

Maximum input torque:23N.m

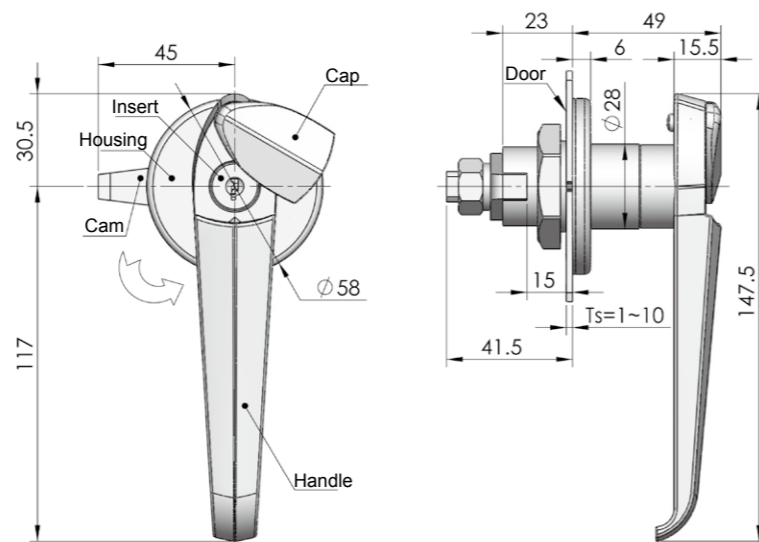


MS807-1



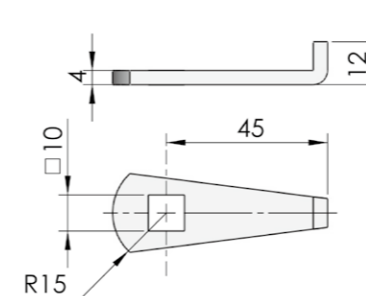
MS807-2

Remark: apply to door thickness ≥ 10mm

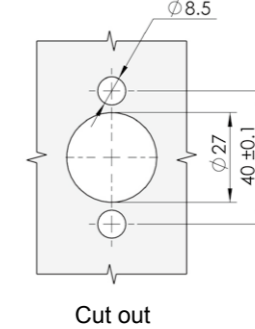


MS807-3

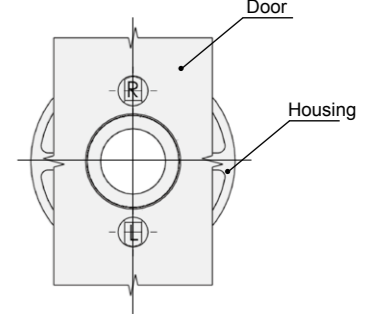
Default cam



Remark: Default cam drawing cut out is square 10mm, other cam selection refer to cam list



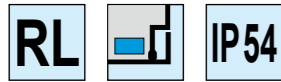
Cut out



Note : if it is used for 60 RH and LH, the door can be opened both right and left through housing 180 rotation assembling position, it is the dorsal view after lock is assembled on the door

Specification		MS807-1 Series			
		Bright chrome-plated ZDC housing, handle, cap		S.S housing, handle, cap	
		Model	ERP	Model	ERP
A=23 B=83 H=45~58	60° for RH and LH	MS807-1	MS807Z3A050029	MS807-1B	MS807S4A050010
	90° RH	MS807-1-Y	MS807Z3A050036		
	90° LH	MS807-1-Z	MS807Z3A050039		
A=40 B=103 H=52~75	60° for RH and LH	MS807-1-D1	MS807Z3A050002	MS807-1B-1	MS807S4A050011
	90° RH	MS807-1-Y1	MS807Z3A050005		
	90° LH	MS807-1-Z1	MS807Z3A050008		
A=63 B=103 H=75~80	60° for RH and LH	MS807-1-D2	MS807Z3A050003	MS807-1B-2	MS807S4A050012
	90° RH	MS807-1-Y2	MS807Z3A050006		
	90° LH	MS807-1-Z2	MS807Z3A050009		
Specification		MS807-2 Series			
		Bright chrome-plated ZDC housing, handle, cap		S.S housing, handle, cap	
		Model	ERP	Model	ERP
A=23 B=83 H=45~58	60° for RH and LH				
	90° RH	MS807-2-Y	MS807Z3A050011	MS807-2B-Y	MS807S4A050001
	90° LH	MS807-2-Z	MS807Z3A050010	MS807-2B-Z	MS807S4A050019
Specification		MS807-3 Series			
		Bright chrome-plated ZDC housing, handle, cap		S.S housing, handle, cap	
		Model	ERP	Model	ERP
	60° for RH and LH	MS807-3	MS807Z3A050017	MS807-3B	MS807S4A050003
	90° RH	MS807-3-Y	MS807Z3A050018	MS807-3B-Y	MS807S4A050024
	90° LH	MS807-3-Z	MS807Z3A050019	MS807-3B-Z	MS807S4A050025

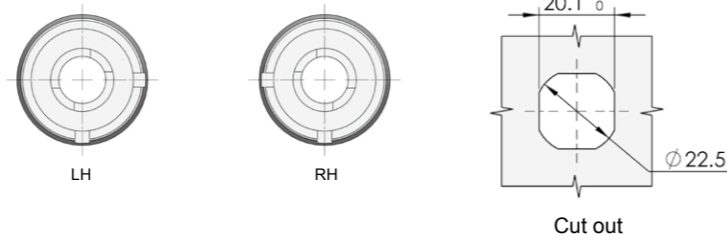
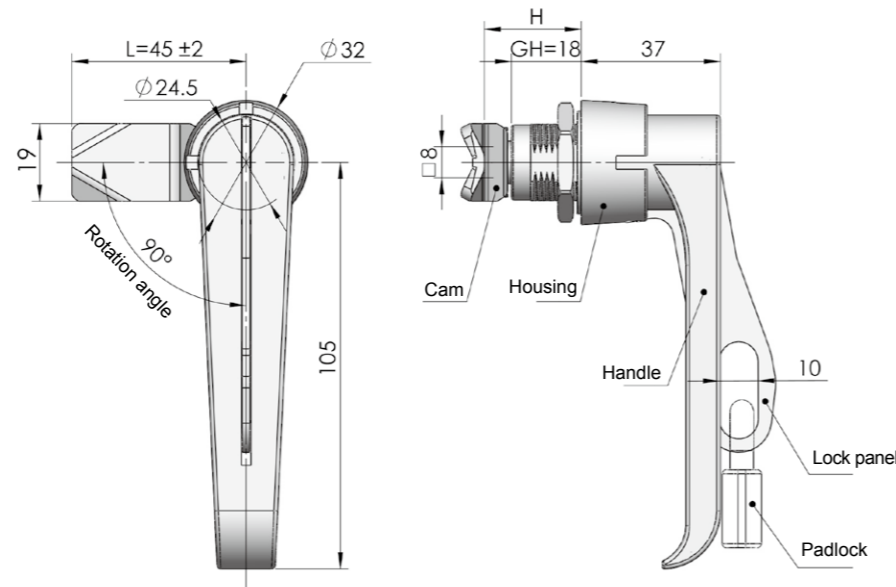
MS842



Main material and finish : Black pocked coated ZDC handle and housing, white zinc-plated steel cam, stainless steel lock panel or whole stainless steel for selection
Application : Quarter-turn opening or closing, padlockable

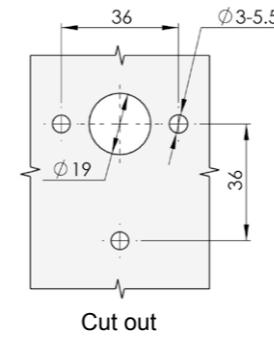
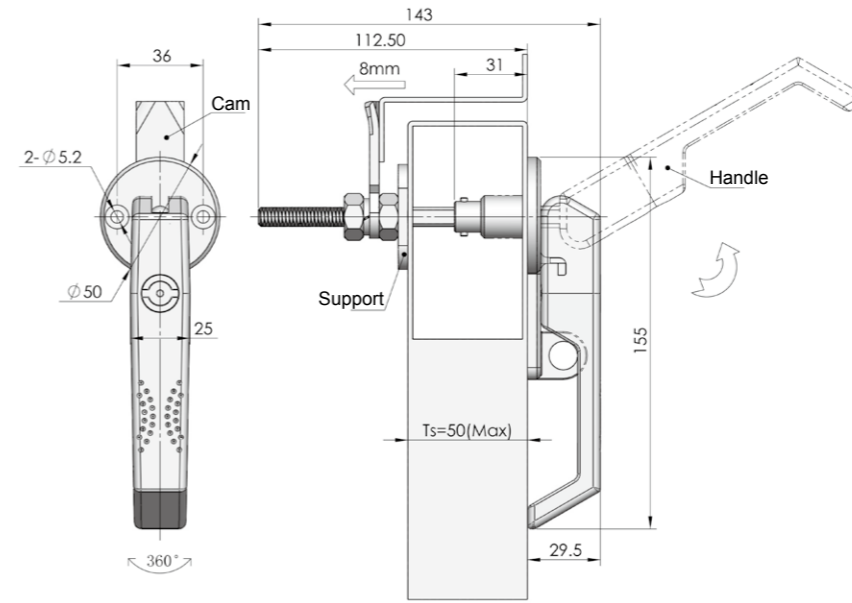
Default cam : S1B45Y07002
S1B45Y07022

Performance parameter:
Maximum static load:270N
 Recommended nut tightening torque:20N.m
Maximum input torque:25N.m

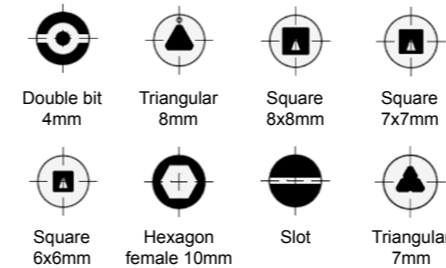
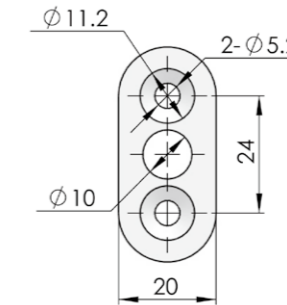


Specification	Model	ERP
ZDC	MS842	MS842Z1B000003
Stainless steel	MS842-1B	MS842S4B000001

Remark : Default cam S1B4507 (square 8*8 cam optional)



Support (Accessory)



Specification	Model	ERP
Double bit	MS859-1-1	MS859Z1BT01001
Triangular 8mm	MS859-1-2	MS859Z1BT04001
Square 8x8mm	MS859-1-3	MS859Z1BT07001
Square 7x7mm	MS859-1-4	MS859Z1BT06001
Square 6x6mm	MS859-1-5	MS859Z1BT05001
Hexagon Female	MS859-1-6	MS859Z1BT09002
Slot	MS859-1-7	MS859Z1BT10001
Triangular 7mm	MS859-1-8	MS859Z1BT14001

Remark : ERP excludes cam (cut out square 8mm)

MS859



Main material and finish : PA handle, pocked black powder coated ZDC housing, bright chrome-plated ZDC insert, white zinc-plated steel shaft

Application : Quarter-turn opening or closing

Remark : Optional key K15 series

Default cam : S1B45Y00005(Ts=4)

Performance parameter:
Handle load tension capability:105N
Maximum static load:220N
Maximum input torque:20N.m

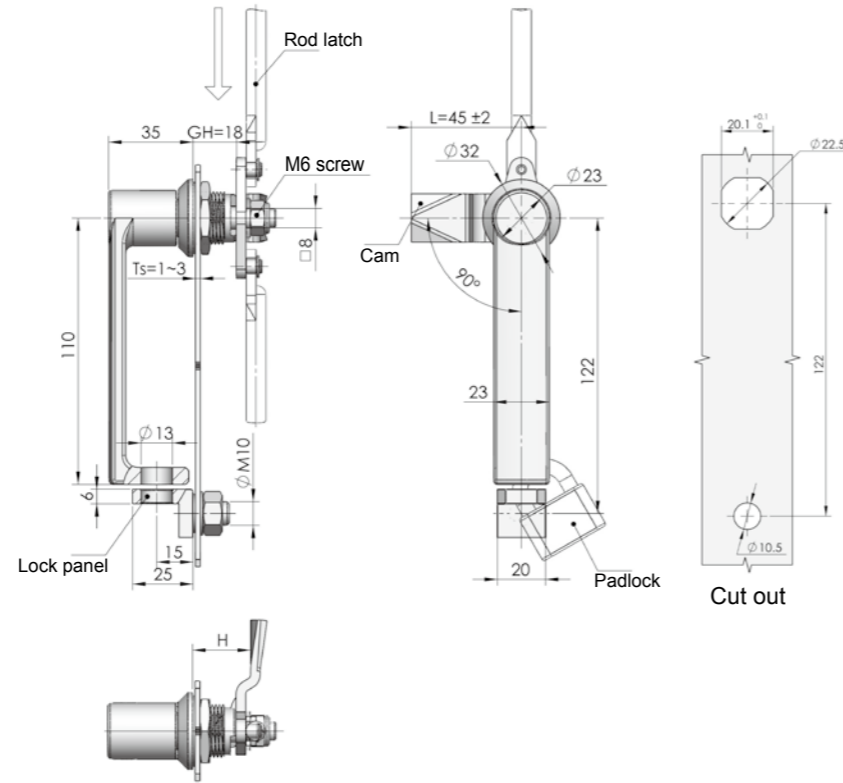
MS868



Main material and finish : Black powder coated ALU handle and lock panel,ZDC housing,white zinc plated steel cam
Application : Quarter-turn opening or closing, padlock available

Default cam : 2882450603

Performance parameter:
Maximum static load:270N
Maximum input torque:20N.m



ERP MS868Z1A000001

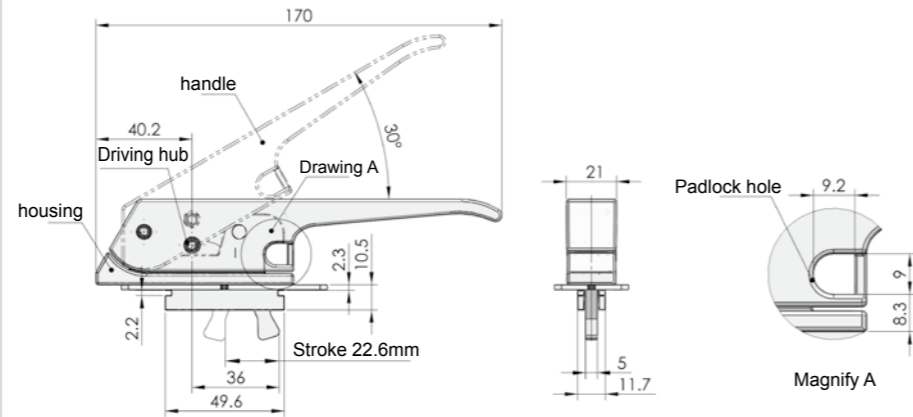
Remark : Default cam DS3B4506 (square 8*8 cam optional)

MS887-1



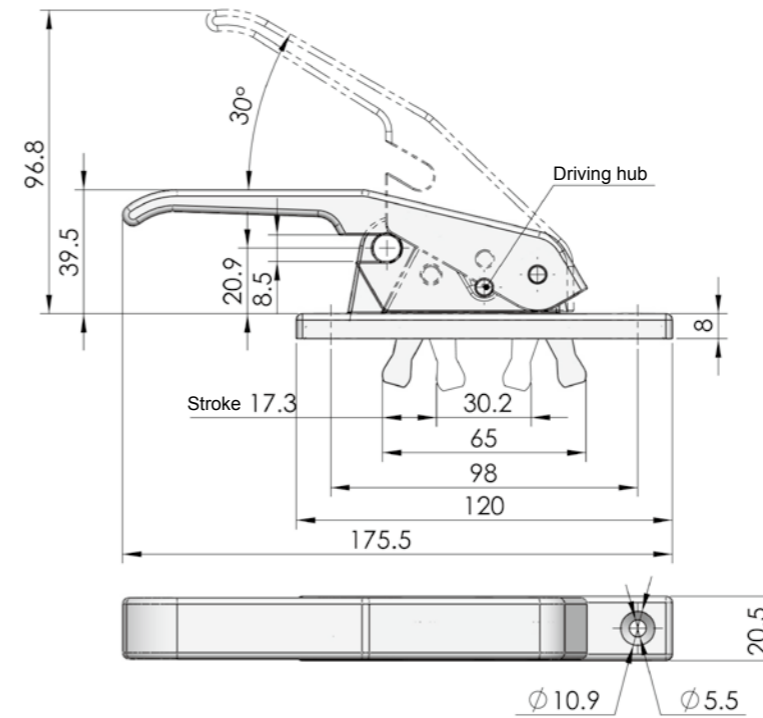
Main material and finish : Black powder coated ZDC housing, handle, white zinc-plated steel cam
Application : Handle combines with latch

Performance parameter:
Handle load tension capability:100N



ERP MS887Z1A000001

Remark : Lock driving part prepared by user



ERP MS887A1D000001

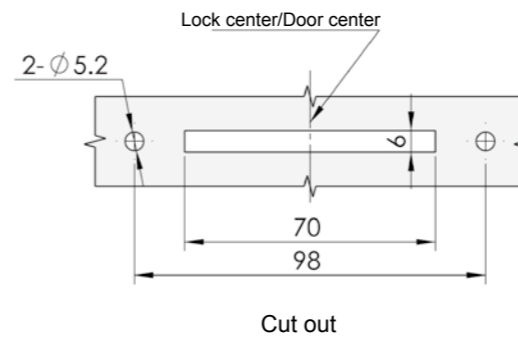
Remark : Lock driving part prepared by user

MS887-2

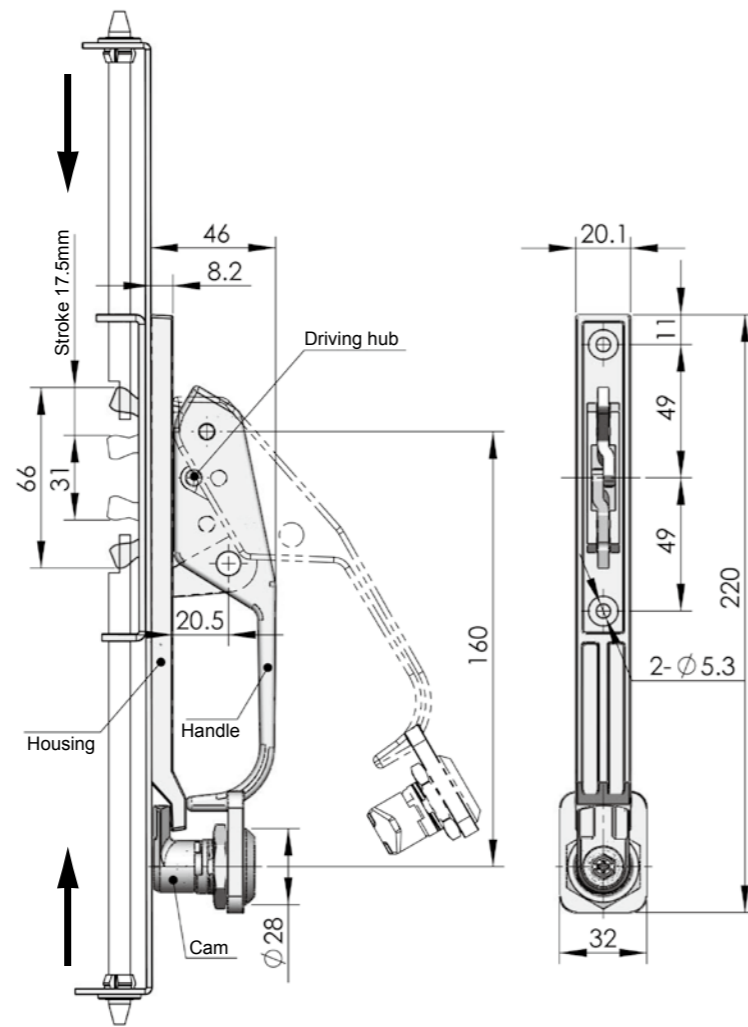


Main material and finish : Blue gray (RAL7035) powder coated aluminum housing, handle, white zinc-plated steel cam
Application : Handle combines with latch

Performance parameter:
Handle load tension capability:100N



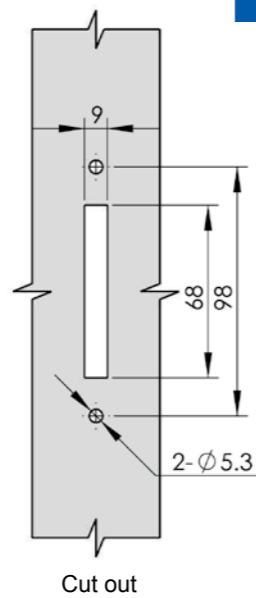
MS887-3



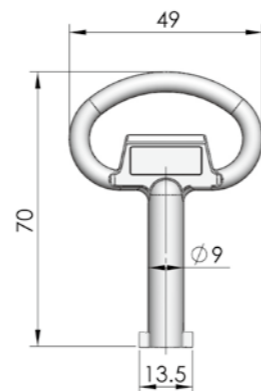
Main material and finish : Blue gray (RAL 7012) powder coated ZDC housing, handle and cylinder barrel
Application : Handle combines with latch, rod-latch system on sketch is just for reference, generally prepared by user
Remark : Optional K15-01C

Performance parameter:
 Handle load tension capability:1350N

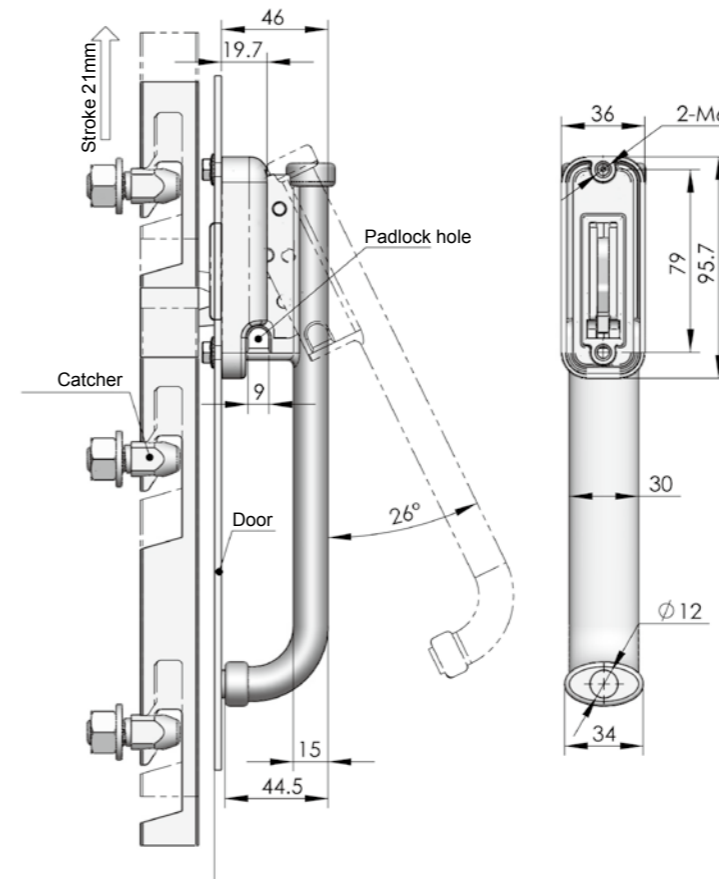
ERP MS887Z1DT02001



Select K15 series as per various inserts

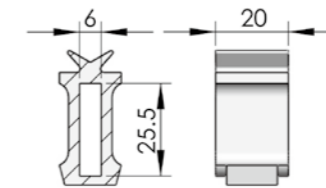


ERP 3290151001



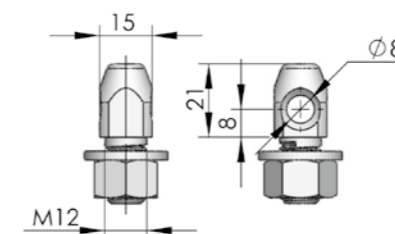
ERP MS887Z1D000001

PA guider (Optional)



ERP 3438874001

Catcher (Optional)



ERP 3248874001

MS887-4



Main material and finish : Blue gray (RAL 7012) powder coated ZDC housing, and handle
Application : Handle combines with latch, rod-latch system on sketch is just for reference, generally prepared by user

Performance parameter:
 Handle load tension capability:1800N

Accessories
Electronic lock
Handle lock
Cylinder lock
Plane lock
Rod control lock
Panel lock
Toggle and hook
Handles
Door stop
Hinge
Seal gasket

Accessories
Electronic lock
Handle lock
Cylinder lock
Plane lock
Rod control lock
Panel lock
Toggle and hook
Handles
Door stop
Hinge
Seal gasket