

CL331



Main material and finish: Nanometer painted ZDC hinge and nickel plated steel pin

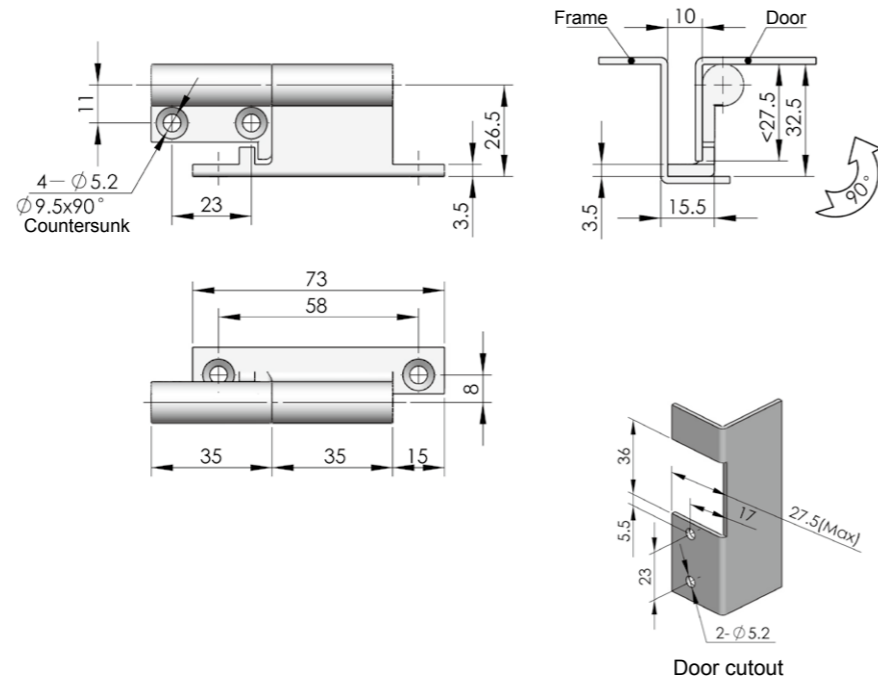
Application: Opening angle 90°

Performance parameter:

Maximum static load

Radial load: 260N

Axial load: 330N



	Nanometer painted	Black powder coated
ERP	CL331Z2B001	CL331Z1A001

CL332



Main material and finish: Black powder coated ZDC hinge and nicked plated steel pin

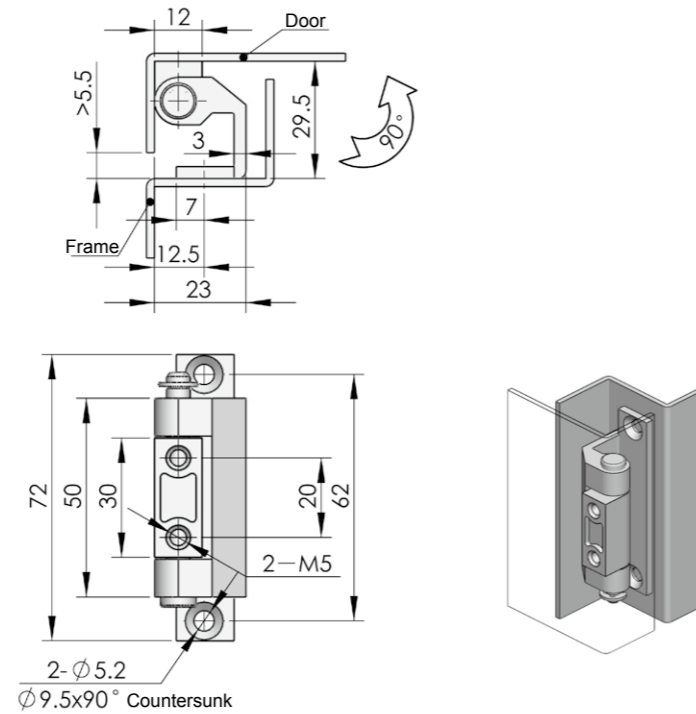
Application: Opening angle 90°

Performance parameter:

Maximum static load

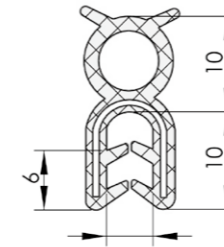
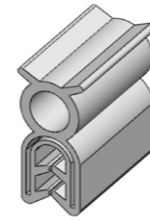
Radial load: 295N

Axial load: 625N

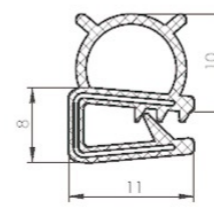
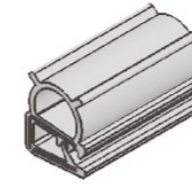


	Nanometer painted	Black powder coated
ERP	CL332Z2B001	CL332Z1A001

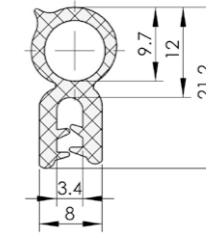
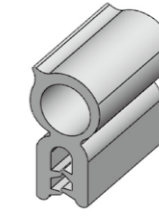
MFT-001



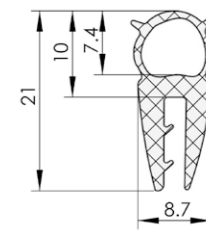
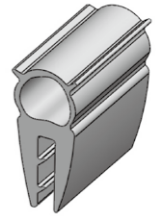
MFT-002



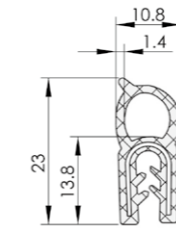
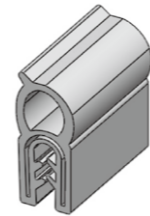
MFT-003



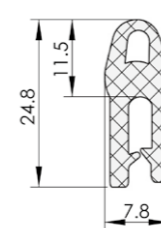
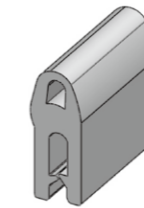
MFT-004



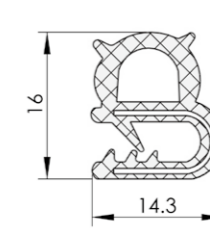
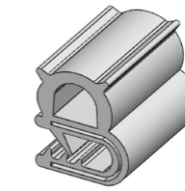
MFT-005



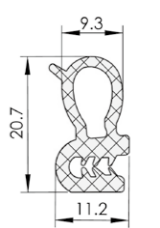
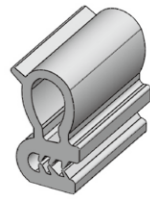
MFT-007



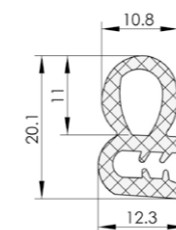
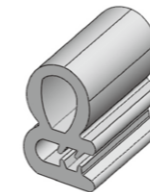
MFT-009



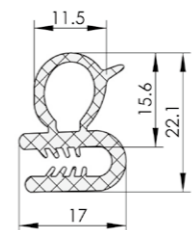
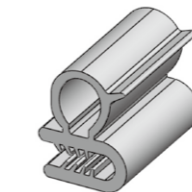
MFT-010



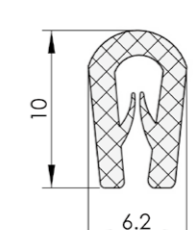
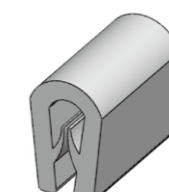
MFT-011



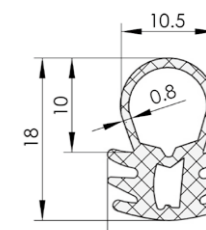
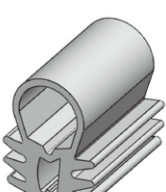
MFT-012



MFT-015



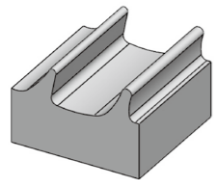
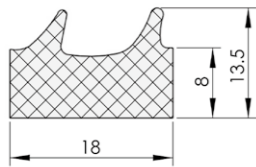
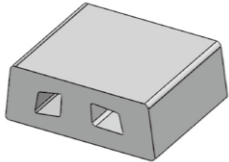
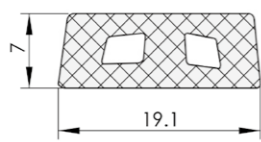
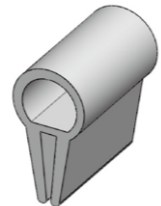
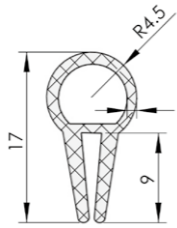
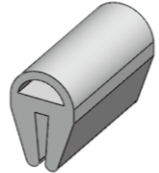
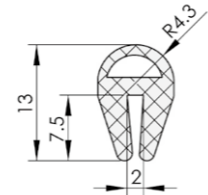
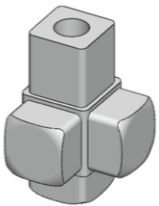
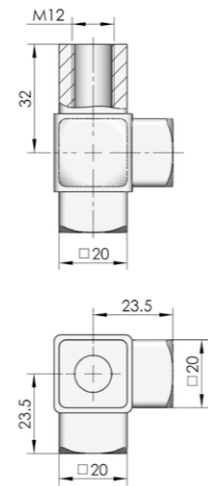
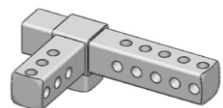
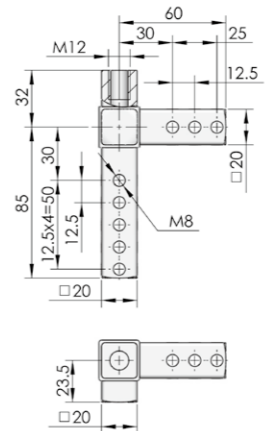
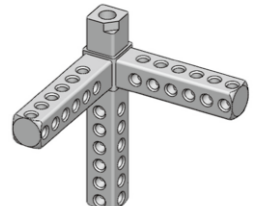
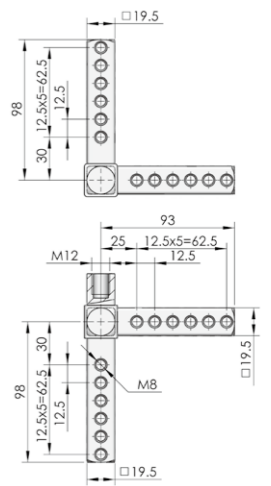
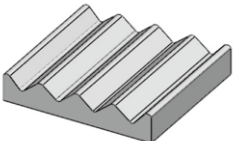
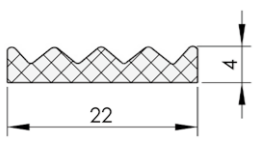
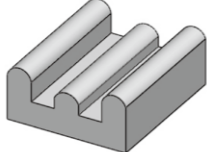
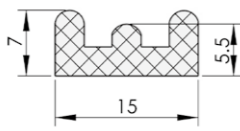
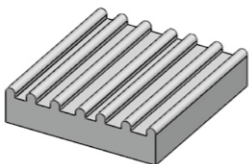
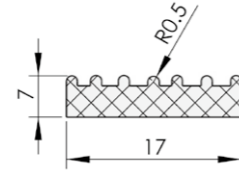
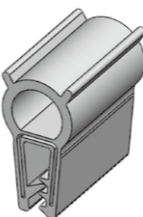
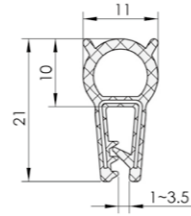
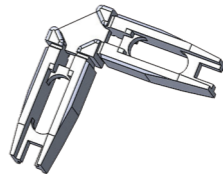
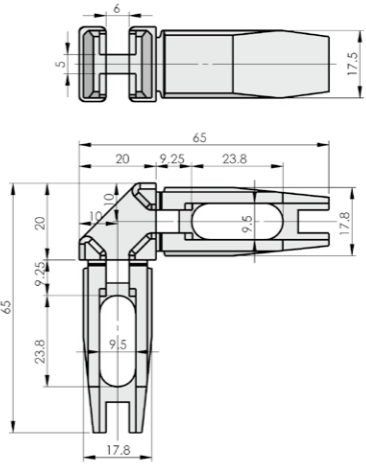
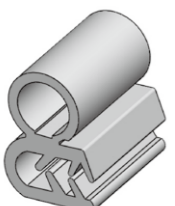
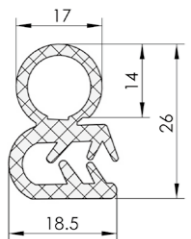
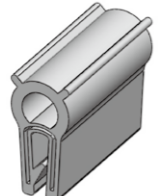
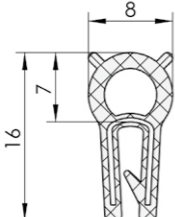

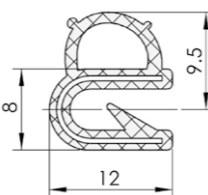
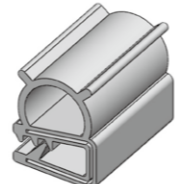
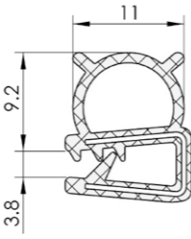
MFT-016



Accessories
Electronic lock
Handle lock
Cylinder lock
Plane lock
Rod control lock
Panel lock
Toggle and hook
Handles
Door stop
Hinge
Seal gasket

Accessories
Electronic lock
Handle lock
Cylinder lock
Plane lock
Rod control lock
Panel lock
Toggle and hook
Handles
Door stop
Hinge
Seal gasket

Accessories	MFT-017	MFT-018	MFT-019	MFT-020	MFT-036	MFT-037	MFT-038	MFT-039	Accessories
Electronic lock									Electronic lock
Handle lock									Handle lock
Cylinder lock									Cylinder lock
Plane lock	MFT-025	MFT-026	MFT-027	MFT-028	MFT-041	MFT-042	MFT-043	MFT-045	Plane lock
Rod control lock									Rod control lock
Panel lock									Panel lock
Toggle and hook									Toggle and hook
Handles	MFT-029	MFT-031	MFT-032	MFT-034	MFT-047	MFT-048	MFT-049	MFT-050	Handles
Door stop									Door stop
Hinge									Hinge
Seal gasket									Seal gasket

Accessories	MFT-051  	MFT-054  	MFT-055  	MFT-056  	Tee Pipe	FJ019-3  	FJ019-2  	FJ019-1D  	Accessories											
Electronic lock									Electronic lock											
Handle lock									Handle lock											
Cylinder lock									Cylinder lock											
Plane lock	MFT-058  	MFT-059  	MFT-060  	MFT-065  	FJ019-3 <table border="1" data-bbox="1587 1015 1965 1098"> <thead> <tr><th>ERP</th><th>Material</th></tr> </thead> <tbody> <tr><td>1120000096</td><td>Carbon steel</td></tr> </tbody> </table>	ERP	Material	1120000096	Carbon steel	FJ019-2 <table border="1" data-bbox="2041 1015 2419 1098"> <thead> <tr><th>ERP</th><th>Material</th></tr> </thead> <tbody> <tr><td>1120000090</td><td>Carbon steel</td></tr> </tbody> </table>	ERP	Material	1120000090	Carbon steel	FJ019-1D <table border="1" data-bbox="2494 1015 2872 1098"> <thead> <tr><th>ERP</th><th>Material</th></tr> </thead> <tbody> <tr><td>1120000086</td><td>Carbon steel</td></tr> </tbody> </table>	ERP	Material	1120000086	Carbon steel	Plane lock
ERP	Material																			
1120000096	Carbon steel																			
ERP	Material																			
1120000090	Carbon steel																			
ERP	Material																			
1120000086	Carbon steel																			
Rod control lock									Rod control lock											
Panel lock									Panel lock											
Toggle and hook						FB0155  			Toggle and hook											
Handles	MFT-067  	MFT-068  	MFT-069  	MFT-070  	FJ019-3 <table border="1" data-bbox="1587 1875 1965 1958"> <thead> <tr><th>ERP</th><th>Material</th></tr> </thead> <tbody> <tr><td>1120000011</td><td>ZDC</td></tr> </tbody> </table>	ERP	Material	1120000011	ZDC	FB0155 <table border="1" data-bbox="2041 1875 2419 1958"> <thead> <tr><th>ERP</th><th>Material</th></tr> </thead> <tbody> <tr><td>1180150001</td><td>PA6+30%GF</td></tr> </tbody> </table>	ERP	Material	1180150001	PA6+30%GF		Handles				
ERP	Material																			
1120000011	ZDC																			
ERP	Material																			
1180150001	PA6+30%GF																			
Door stop									Door stop											
Hinge									Hinge											
Seal gasket									Seal gasket											