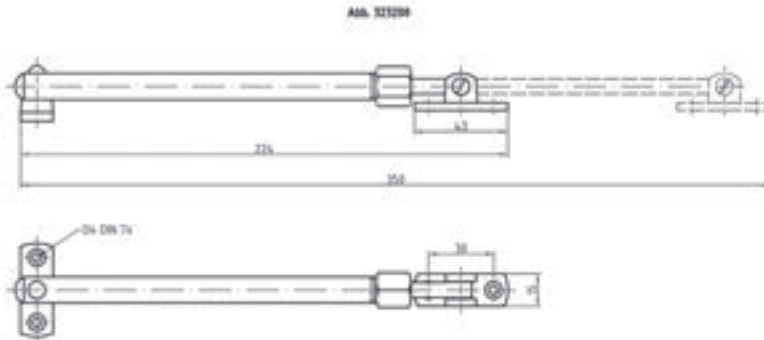


HATCH FASTENERS - HATCH FASTENER 3232-3234

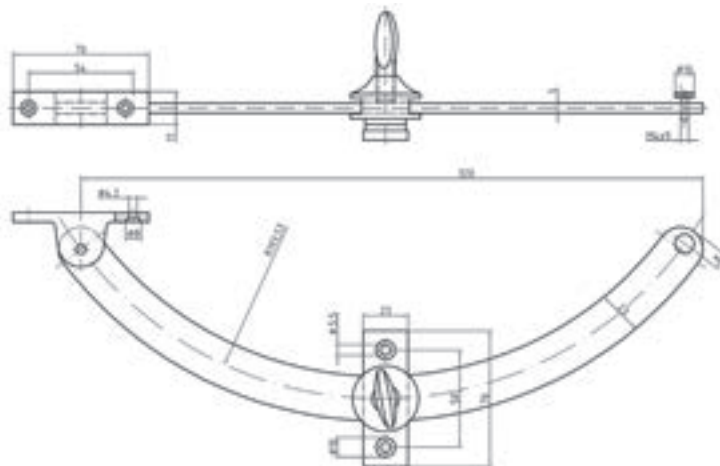
• Material: Brass Ms 58



Art.code	Surface	Article description	Unit	Weight
323200.4	Bp	Hatch fastener 350 mm	pc.	0,230
323200.5	Bpn	Hatch fastener 350 mm	pc.	0,230
323200.6	Bpc	Hatch fastener 350 mm	pc.	0,230
323200.8	Bmn	Hatch fastener 350 mm	pc.	0,230
323200.9	Bmc	Hatch fastener 350 mm	pc.	0,230
323300.4	Bp	Hatch fastener 410 mm	pc.	0,470
323300.5	Bpn	Hatch fastener 410 mm	pc.	0,470
323300.6	Bpc	Hatch fastener 410 mm	pc.	0,470
323300.8	Bmn	Hatch fastener 410 mm	pc.	0,470
323300.9	Bmc	Hatch fastener 410 mm	pc.	0,470

WINDOW FASTENERS - WINDOW FASTENER CURVED VERSION

• Material: Brass Ms 63

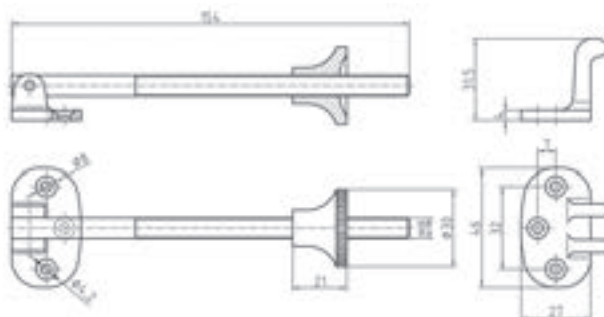


Art.code	Surface	Article description	Unit	Weight
320100.4	Bp	Window and hatch fastener set, curved	pc.	0,580
320100.6	Bpc	Window and hatch fastener set, curved	pc.	0,580
320100.9	Bmc	Window and hatch fastener set, curved	pc.	0,580

WINDOW FASTENERS - WINDOW FASTENER STRAIGHT VERSION WITH COUNTER PLATE

• Material: Brass Ms 58

• Complete with counter plate



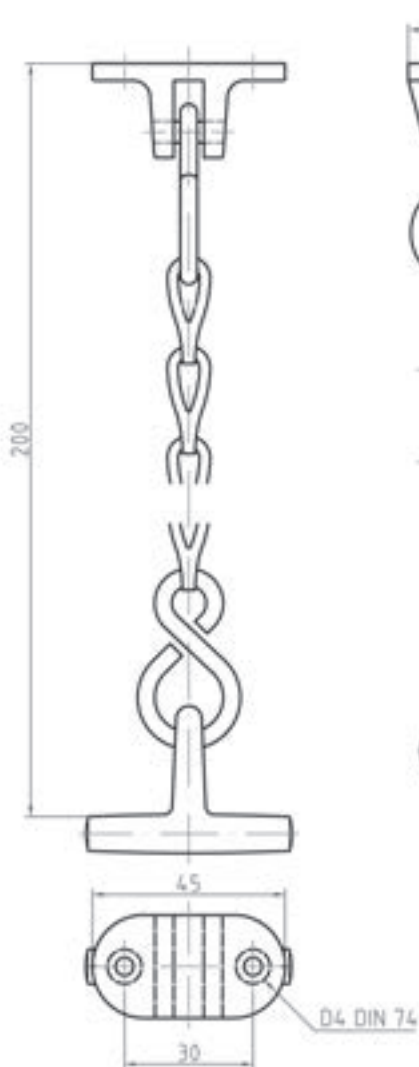
Art.code	Surface	Article description	Unit	Weight
325000.1	Brp	Window and hatch fastener set with counter plate	pc.	0,180
325000.3	Brpc	Window and hatch fastener set with counter plate	pc.	0,180
325000.4	Bp	Window and hatch fastener set with counter plate	pc.	0,180
325000.6	Bpc	Window and hatch fastener set with counter plate	pc.	0,180
325000.9	Bmc	Window and hatch fastener set with counter plate	pc.	0,180

WINDOW FASTENERS - LIGHT SHADE HOLDER DIN 81643 FORM C WITH CHAIN

Ground plate founded

• Material: Brass Ms 63

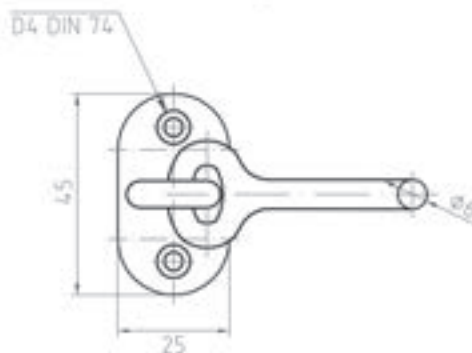
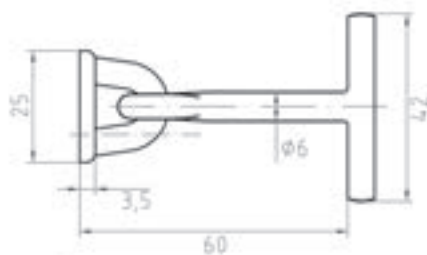
• Further lengths on request



Art.code	Surface	Article description	Unit	Weight
332000.4	Bp	Light shade holder DIN 81643, Form C with chain, L=200 mm	pc.	0,100
332000.6	Bpc	Light shade holder DIN 81643, Form C with chain, L=200 mm	pc.	0,100
332000.9	Bmc	Light shade holder DIN 81643, Form C with chain, L=200 mm	pc.	0,100

WINDOW FASTENERS - LIGHT SHADE HOLDER 60 MM

- Material: Brass



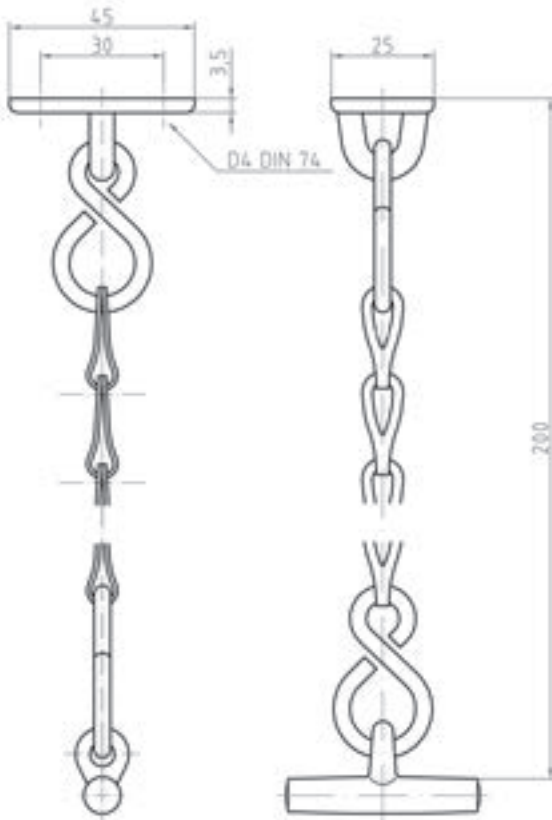
Art.code	Surface	Article description	Unit	Weight
334060.4	Bp	Light shade holder 60 mm	pc.	0,050
334060.6	Bpc	Light shade holder 60 mm	pc.	0,050
334060.9	Bmc	Light shade holder 60 mm	pc.	0,050

WINDOW FASTENERS - LIGHT SHADE HOLDER WITH S HOOKS

Ground plate stamped

• Material: Brass Ms 63

• Further chain lengths made on request



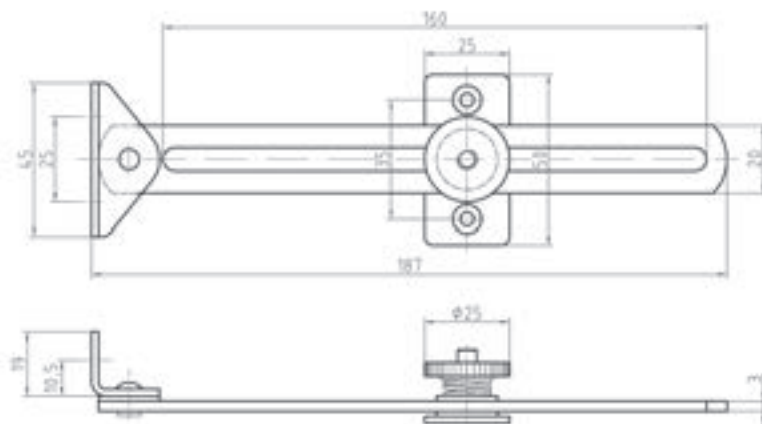
Art.code	Surface	Article description	Unit	Weight
332200.4	Bp	Light shade holder with two heavy S hooks, with chain, L=200 mm	pc.	0,070
332200.6	Bpc	Light shade holder with two heavy S hooks, with chain, L=200 mm	pc.	0,070
332200.9	Bmc	Light shade holder with two heavy S hooks, with chain, L=200 mm	pc.	0,070

CABINET SHEAR - CABINET SHEAR 160 MM



• Material: Brass Ms 58

• Complete with fixing screw



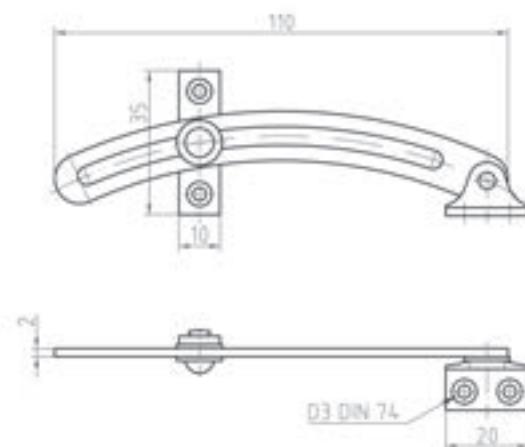
Art.code	Surface	Article description	Unit	Weight
520160.4	Bp	Cabinet shear, channel 160 mm	pc.	0,140
520160.6	Bpc	Cabinet shear, channel 160 mm	pc.	0,140
520160.9	Bmc	Cabinet shear, channel 160 mm	pc.	0,140

CABINET SHEAR - CABINET SHEAR CURVED 110 MM



• Material: Brass Ms 58

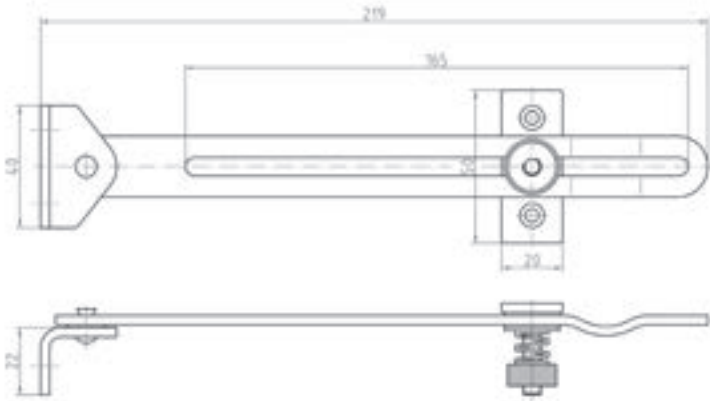
• Workable length from fixing pin to slit end 110 mm



Art.code	Surface	Article description	Unit	Weight
520110.4	Bp	Cabinet shear curved 110 mm	pc.	0,030
520110.6	Bpc	Cabinet shear curved 110 mm	pc.	0,030
520110.9	Bmc	Cabinet shear curved 110 mm	pc.	0,030

CABINET SHEAR - CABINET SHEAR 165 MM STAINLESS STEEL

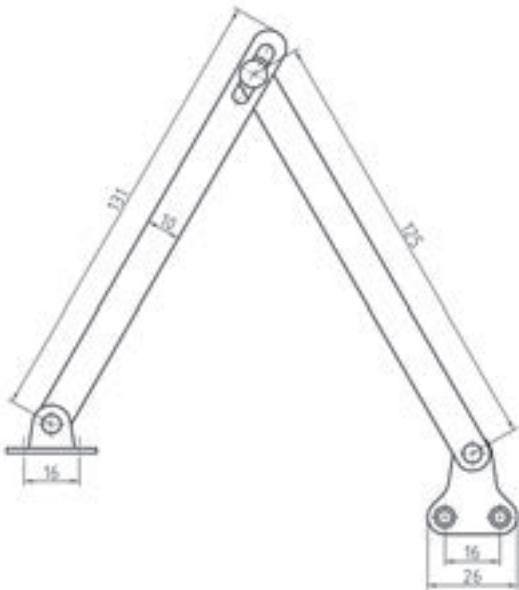
- Material: Stainless steel A2
- Complete with fixing screw



Art.code	Surface	Article description	Unit	Weight
N-520165.0	S/S brushed	Cabinet shear, channel 165 mm without snap-in function	pc.	0,160
N-520165R.0	S/S brushed	Cabinet shear, channel 165 mm with snap-in function	pc.	0,160

CABINET SHEAR - CABINET SHEAR 150-300 MM

- Material: Steel and nickel plated
- For right/left assembly



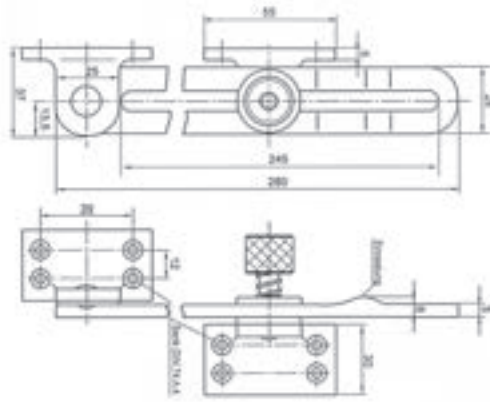
Art.code	Surface	Article description	Unit	Weight
520150.0	St Ni	Cabinet shear, 150 mm total length, right or left assembly	pc.	0,030
520200.0	St Ni	Cabinet shear, 200 mm total length, right or left assembly	pc.	0,040
520250.0	St Ni	Cabinet shear, 250 mm total length, right or left assembly	pc.	0,050
520300.0	St Ni	Cabinet shear, 300 mm total length, right or left assembly	pc.	0,060

DOOR STAY STAINLESS STEEL - DOOR STAY 12.2065



- Material: S/S A2
- Completely assembled

- 245 mm and 300 mm are the slit lengths



Art.code	Surface	Article description	Unit	Weight
12.2065.0	S/S brushed	Door stay 245 mm with snap-in for in- and outward doors	pc.	0,450
12.2070.0	S/S brushed	Door stay 300 mm with snap-in for in- and outward doors	pc.	0,495