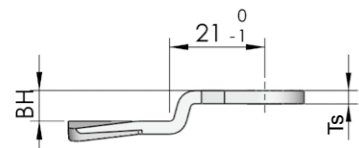
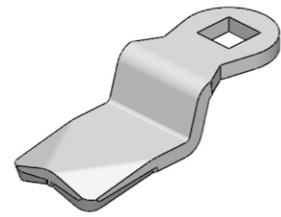
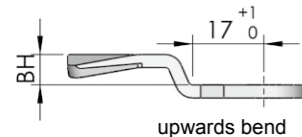


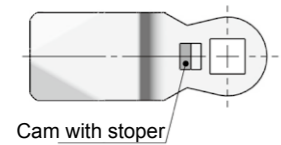
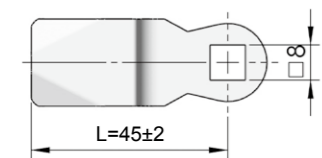
S1B Series



Downwards bend



upwards bend

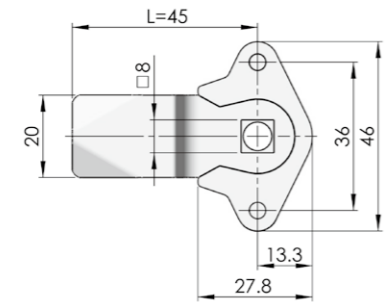
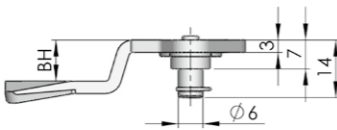
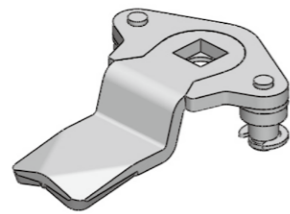


Cam with stopper

Remark: Default thickness 3mm, please specify on request of other material, center distance and thickness. Code prefixed with D stands for cam with stopper.

Cam code	BH	ERP
	TS=3	
S1B45N02	-2	S1B45N02019
S1B4500	0	S1B45Y00002
S1B4502	2	S1B45Y02002
S1B4504	4	S1B45Y04002
S1B4506	6	S1B45Y06004
S1B4507	7	S1B45Y07002
S1B4508	8	S1B45Y08002
S1B4510	10	S1B45Y10002
S1B4512	12	S1B45Y12002
S1B4514	14	S1B45Y14002
S1B4516	16	S1B45Y16002
S1B4518	18	S1B45Y18004
S1B4520	20	S1B45Y20002

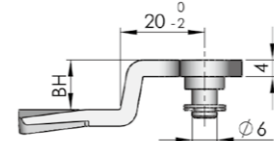
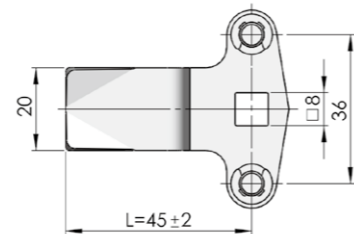
AS3B Series



Remark: Default thickness 3mm, please specify on request of other material, center distance and thickness. Code prefixed with D stands for cam with stopper.

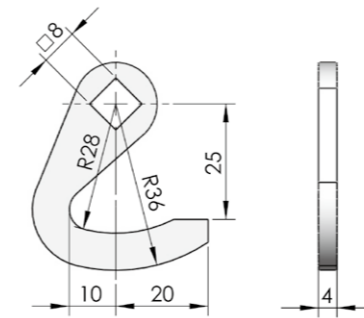
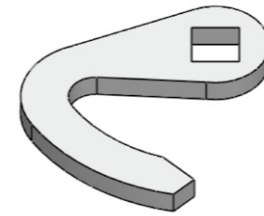
Cam code	BH	ERP
AS3B45N02	-2	2882452023
AS3B4500	0	2882450015
AS3B4502	2	2882452024
AS3B4504	4	2882452025
AS3B4506	6	2882452026
AS3B4507	7	2882452027
AS3B4508	8	2882452028
AS3B4510	10	2882452029
AS3B4512	12	2882451226
AS3B4514	14	2882452030
AS3B4516	16	2882452031
AS3B4518	18	2882452032
AS3B4520	20	2882452022

S3B Series



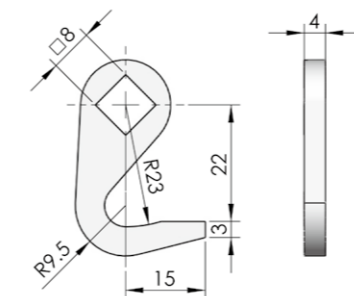
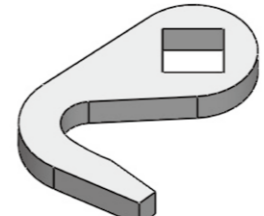
Cam code	BH	ERP
S3B4500	0	2882450029
S3B4504	4	2882450418
S3B4508	8	2882450822
S3B4510	10	2882451020
S3B4512	12	2882451218
S3B4514	14	2882451415
S3B4516	16	2882451611
S3B4520	20	2882452013
S3B4522	22	2882452212

S1B2836H



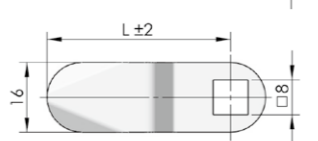
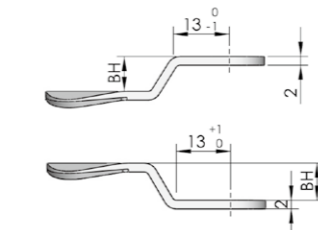
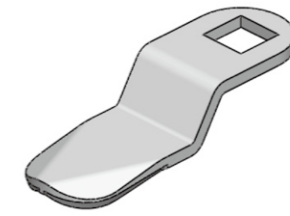
Cam code	Rotation Radius	ERP
S1B2836H	28	S1B28Y36002

S1B2328H



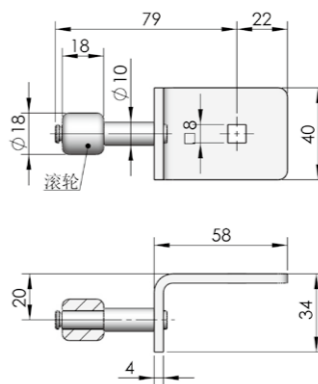
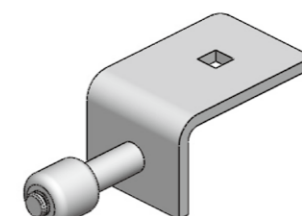
Cam code	Rotation Radius	ERP
S1B2328H	23	S1B23Y28002

S1BK Series



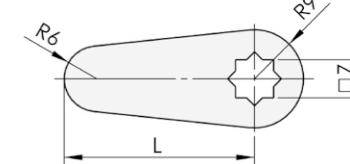
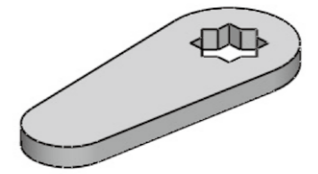
Cam code	BH	L	ERP
S1B33N4K	-4	33	S1B33N04001

S1B1179D



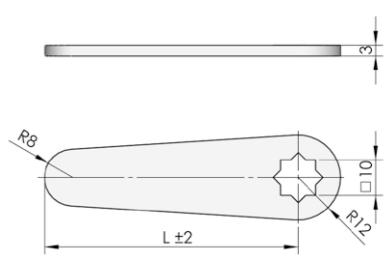
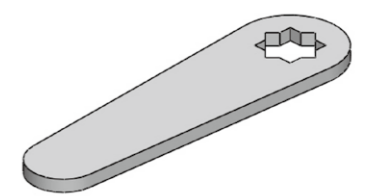
Cam code	BH	Material	ERP
S1B1179D	11	SUS	S1B11Y79003

S1A Series



Cam code	BH	L	ERP
S1A3500	0	35	S1A35Y00005
S1A3900	0	39	S1A39Y00001
S1A7200	0	72	S1A72Y00001

S1C Series



Cam code	BH	L	ERP
S1C4000	0	40	S1C40Y00001
S1C6300	0	63	S1C63Y00002
S1C7200	0	72	S1C72Y00002

Accessories

Electronic lock

Handle lock

Cylinder lock

Plane lock

Rod control lock

Panel lock

Toggle and hook

Handles

Door stop

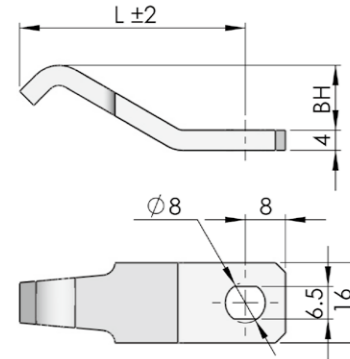
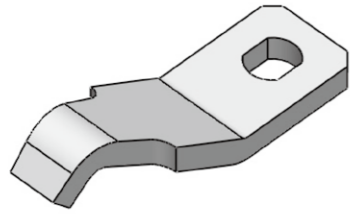
Hinge

Seal gasket

Accessories
Electronic lock
Handle lock
Cylinder lock
Plane lock
Rod control lock
Panel lock
Toggle and hook
Handles
Door stop
Hinge
Seal gasket

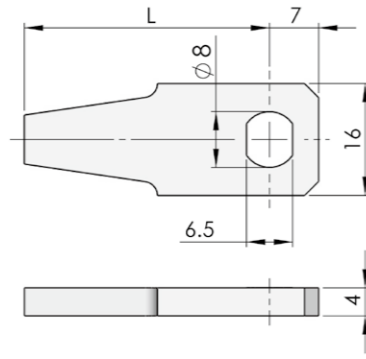
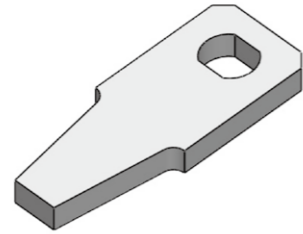
Accessories
Electronic lock
Handle lock
Cylinder lock
Plane lock
Rod control lock
Panel lock
Toggle and hook
Handles
Door stop
Hinge
Seal gasket

S1K4513



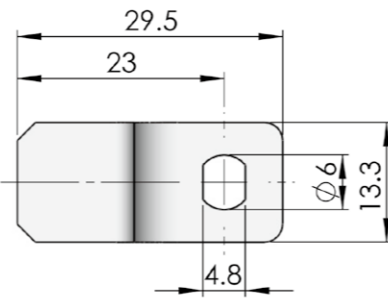
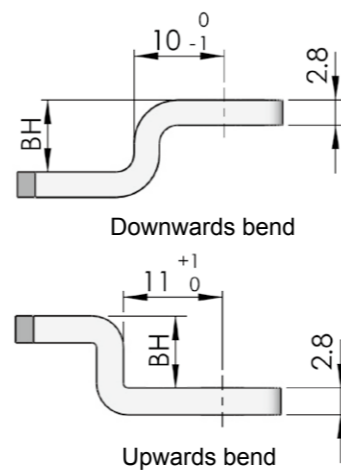
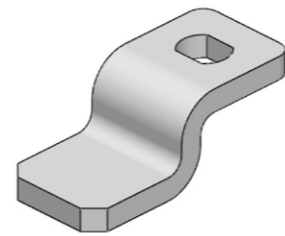
Cam code	BH	L	ERP
S1K4513	-13	45	S1K45N13003

S1K3500



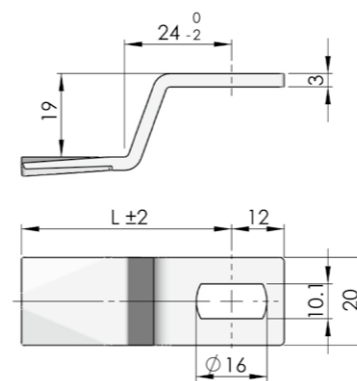
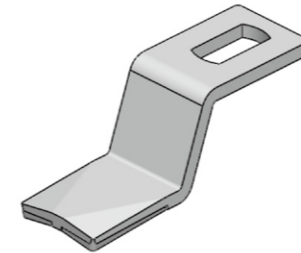
Cam code	BH	L	ERP
S1L3500	0	35	S1K35Y00002

S1G Series



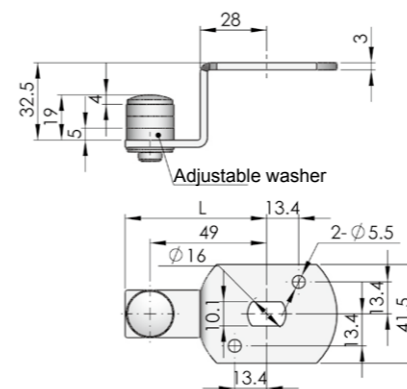
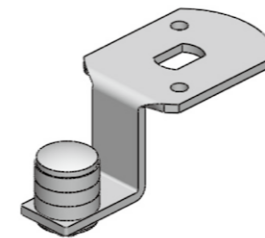
Cam code	BH	L	ERP
S1G2300	0	23	S1G23Y00002
S1G2304	4	23	S1G23Y04002
S1G2308	8	23	S1G23Y08002
S1G2312	12	23	S1G23Y12002
S1G2316	16	23	S1G23Y16002
S1G2320	20	23	S1G23Y20002
S1G2304	-4	23	S1G23N04001
S1G2308	-8	23	S1G23N08005
S1G2312	-12	23	S1G23N12001
S1G2316	-16	23	S1G23N16001
S1G2320	-23	23	S1G23N20005

S1H Series



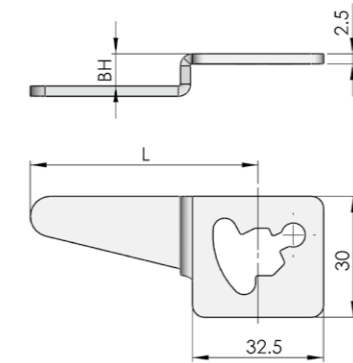
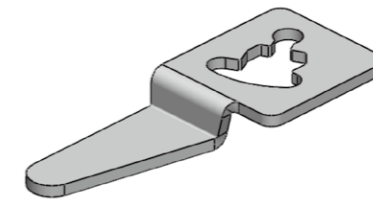
Cam code	BH	L	ERP
S1H4819	19	48	S1H48Y19001

S3H6028



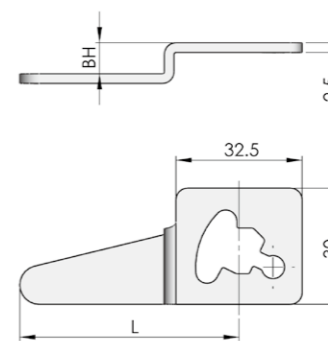
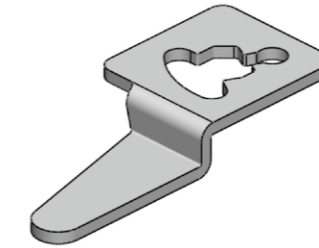
Cam code	BH	L	ERP
S3H6028	13.5/18.5/23.5/28.5	60	S3H60Y28001

S1D Series(Left)



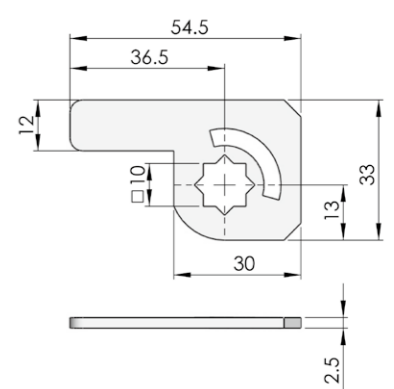
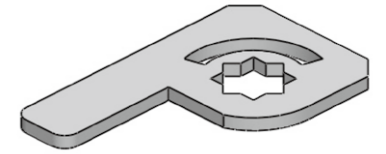
Cam code	BH	L	ERP
S1D5600Z	0	56	S1D56Y00006
S1D5608Z	8	56	S1D56Y08002
S1D5612Z	12	56	S1D56Y12002
S1D5618Z	18	56	S1D56Y18002
S1D5628Z	28	56	S1D56Y28001

S1D Series(Right)



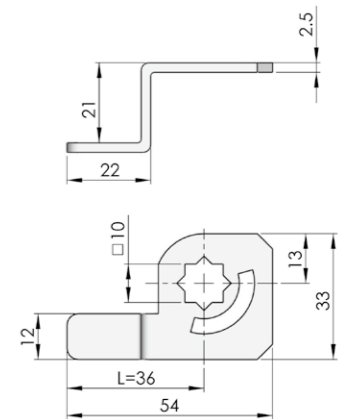
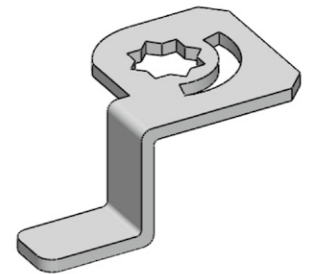
Cam code	BH	L	ERP
S1D5600Y	0	56	S1D56Y00002
S1D5608Y	8	56	S1D56Y08005
S1D5612Y	12	56	S1D56Y12005
S1D5618Y	18	56	S1D56Y18005
S1D5628Y	28	56	S1D56Y28005

S1C3700D



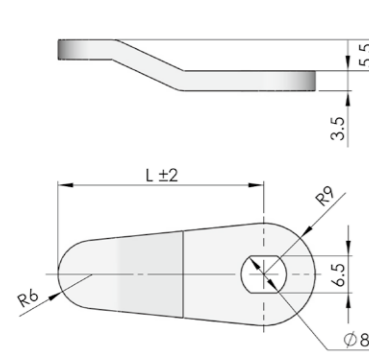
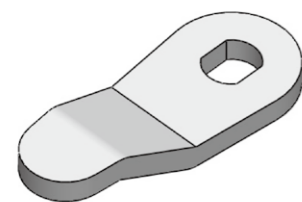
Cam code	BH	L	ERP
S1C3700D	0	36.5	S1C37Y00002

S1C3621D



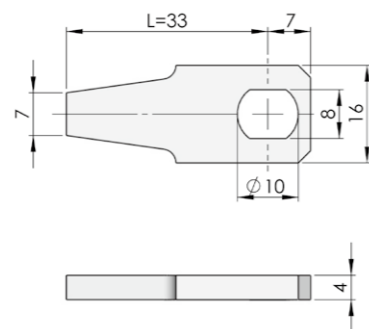
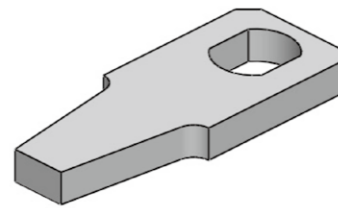
Cam code	BH	L	ERP
S1C3621D	21	36	S1C36Y21002

S1K3606



Cam code	BH	L	ERP
S1K36N06	-6	36	S1K36N06001

S1M3300

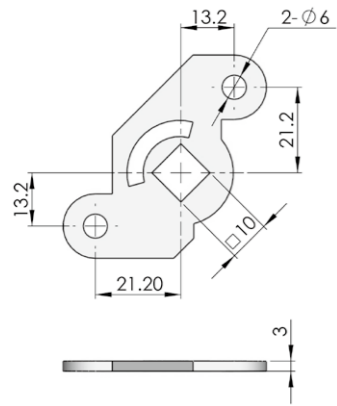
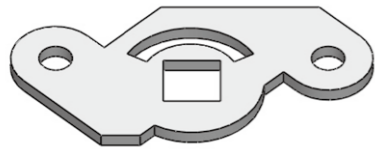


Cam code	BH	L	ERP
S1M3300	0	33	S1M33Y00002

Accessories
Electronic lock
Handle lock
Cylinder lock
Plane lock
Rod control lock
Panel lock
Toggle and hook
Handles
Door stop
Hinge
Seal gasket

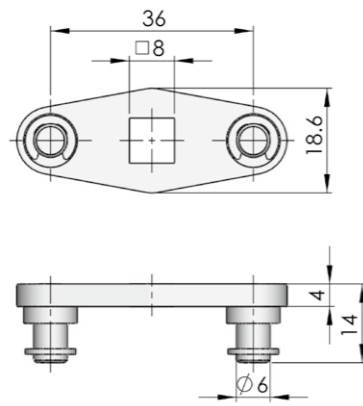
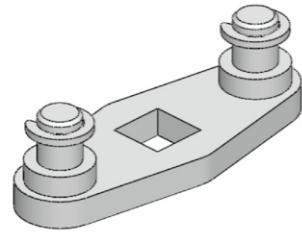
Accessories
Electronic lock
Handle lock
Cylinder lock
Plane lock
Rod control lock
Panel lock
Toggle and hook
Handles
Door stop
Hinge
Seal gasket

S2C2100



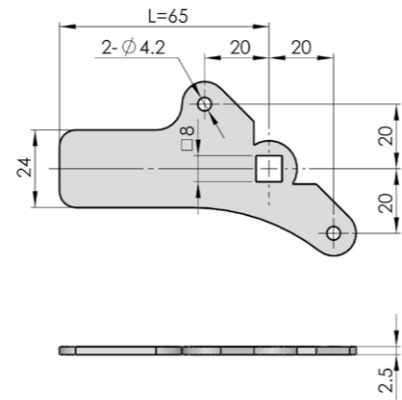
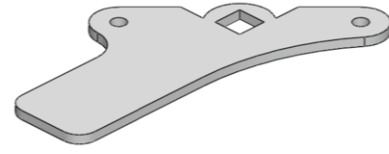
Cam code	ERP
S2C2100	S2C21Y00002

S2B1800



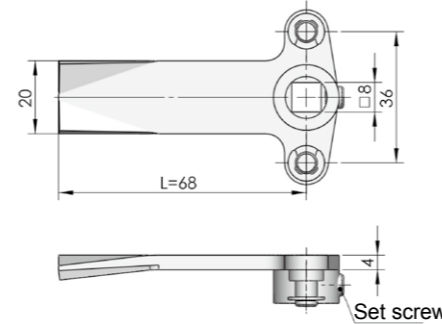
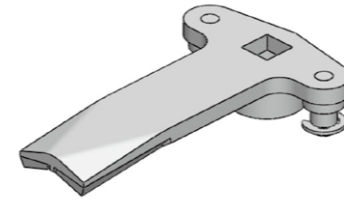
Cam code	ERP
S2B1800	S2B18Y00005

S3B6500



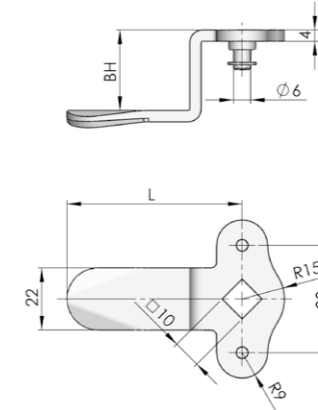
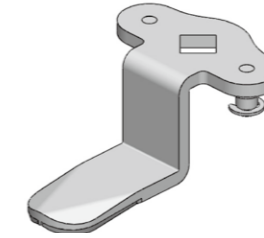
Cam code	ERP
S3B6500	S3B65Y00002

S3B6800A



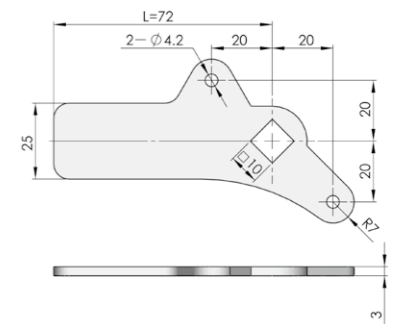
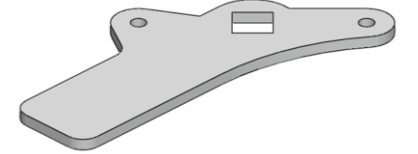
Cam code	BH	L	ERP
S3B6800A	0	68	S3B68Y00002

S3C Series



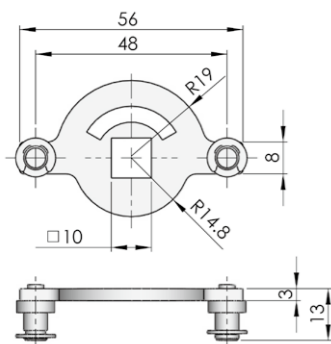
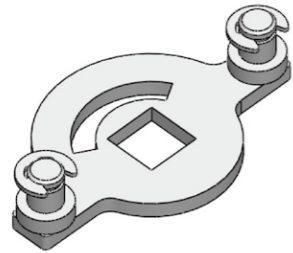
Cam code	BH	L	ERP
S3C8600	0	86	S3C86Y00002
S3C6527	27	65	S3C65Y27002
S3C4851	51	48	S3C48Y51002

S3C7200



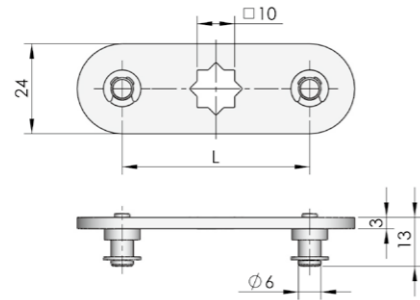
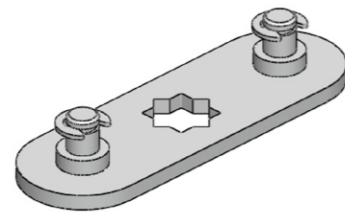
Cam code	BH	L	ERP
S3C7200	0	72	S3C72Y00002

S2C2400



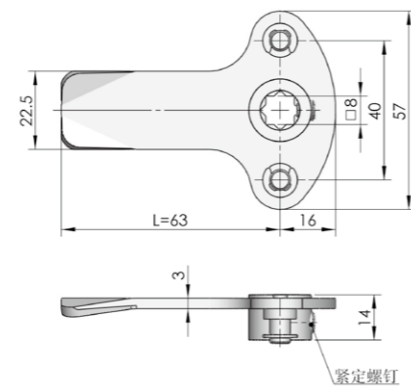
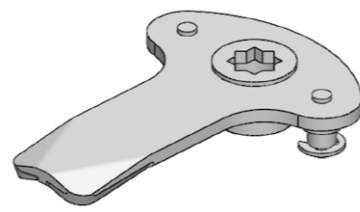
Cam code	ERP
S2C2400	S2C24Y00002

S2C Series



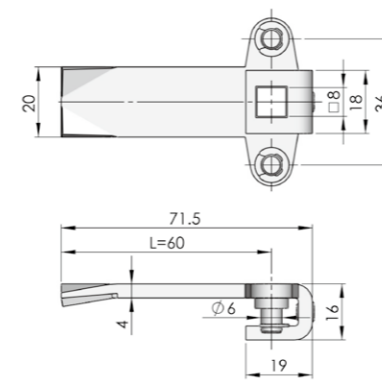
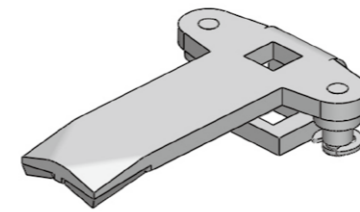
Cam code	L	ERP
S2C2000	0	S2C20Y00002
S2C2500	25	S2C25Y00002

S3B6300A



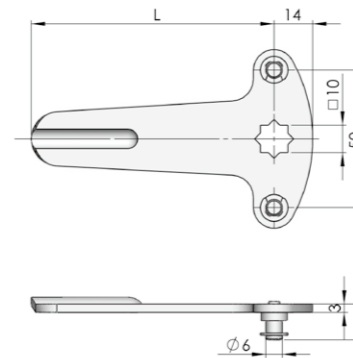
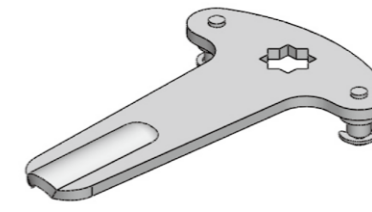
Cam code	BH	L	ERP
S3B6300A	0	63	S3B63Y00002

S3B6000A



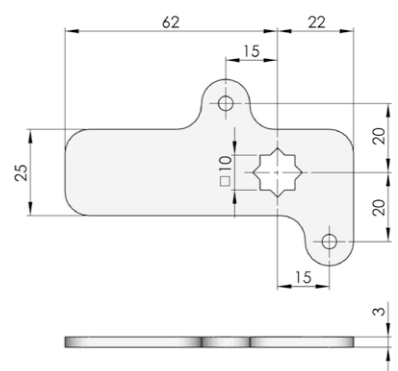
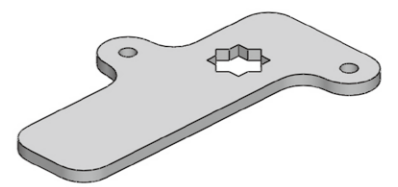
Cam code	BH	L	ERP
S3B6000A	0	60	S3B60Y00002

S3C Series



Cam code	BH	L	ERP
S3C5000	0	50	S3C50Y00003
S3C7000	0	70	S3C70Y00002
S3C8800	0	88	S3C88Y00002

S3C6200

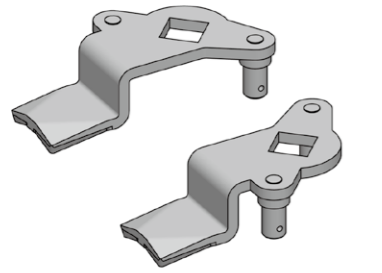


Cam code	BH	L	ERP
S3C6200	0	62	S3C62Y00003

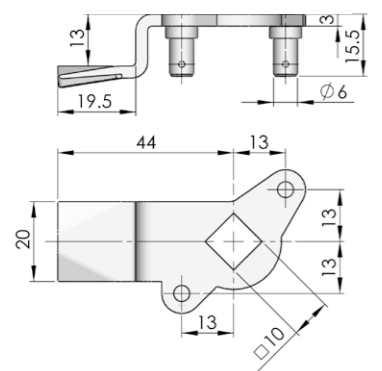
Accessories
Electronic lock
Handle lock
Cylinder lock
Plane lock
Rod control lock
Panel lock
Toggle and hook
Handles
Door stop
Hinge
Seal gasket

Accessories
Electronic lock
Handle lock
Cylinder lock
Plane lock
Rod control lock
Panel lock
Toggle and hook
Handles
Door stop
Hinge
Seal gasket

S3C4413 Series

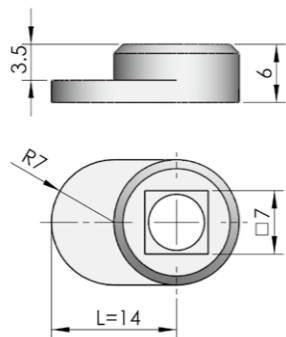
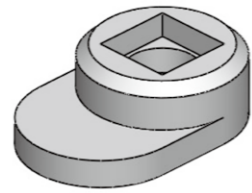


S3C4413Y (right cam)



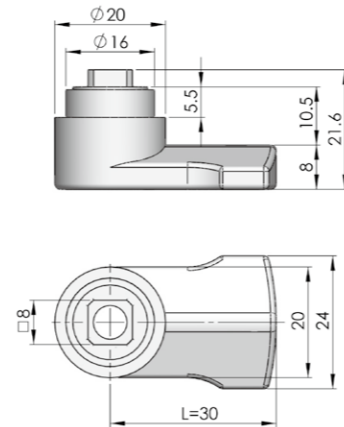
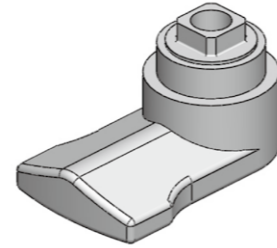
Cam code	BH	L	ERP
S3C4413Y	13	44	2883441307
S3C4413Z	13	44	2883441308

S1A1403X



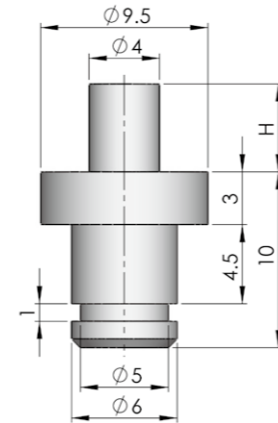
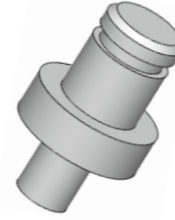
Cam code	ERP
S1A1403X	S1A14Y03001

S1B3011D



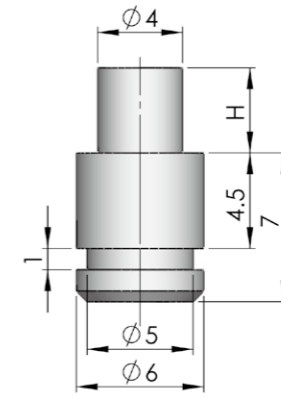
Cam code	L	ERP
S1B3011D	30	S1B30Y11002

**PN0011
PN0012**



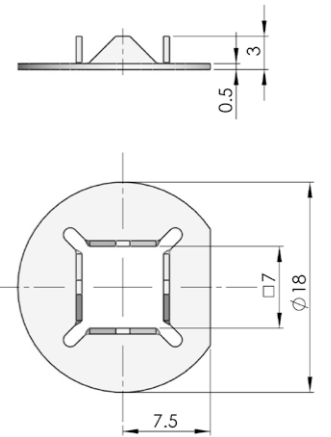
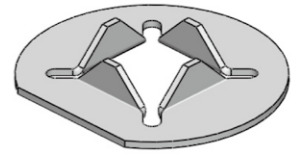
Part code	H	Remark
PN0011	H=4	Suitable cam thickness 3mm
PN0012	H=5	Suitable cam thickness 4mm

**PN0015
PN0016**



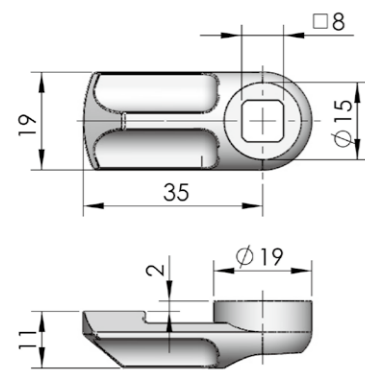
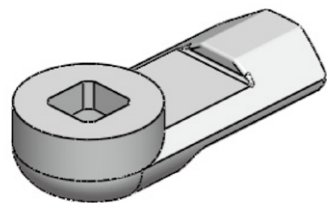
Part code	H	Remark
PN0015	H=4	Suitable cam thickness 3mm
PN0016	H=5	Suitable cam thickness 4mm

A1001



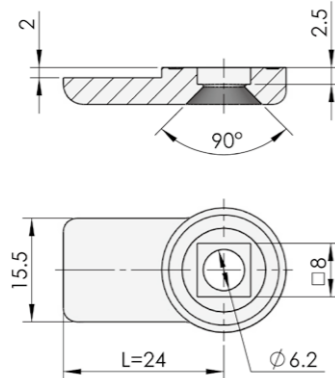
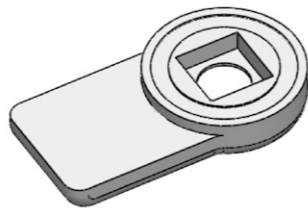
Change cam cut out 8mm to 7mm

S1B3502A



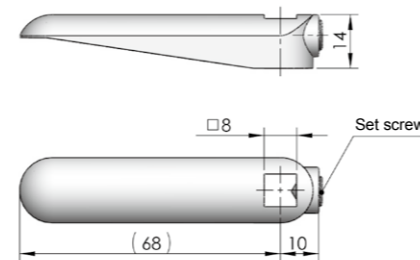
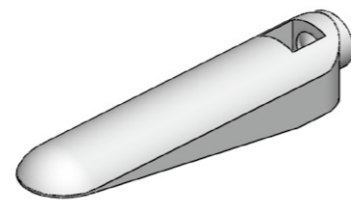
Cam code	BH	L	ERP
S1B3502A	0	35	S1B35Y02001

S1B2402X



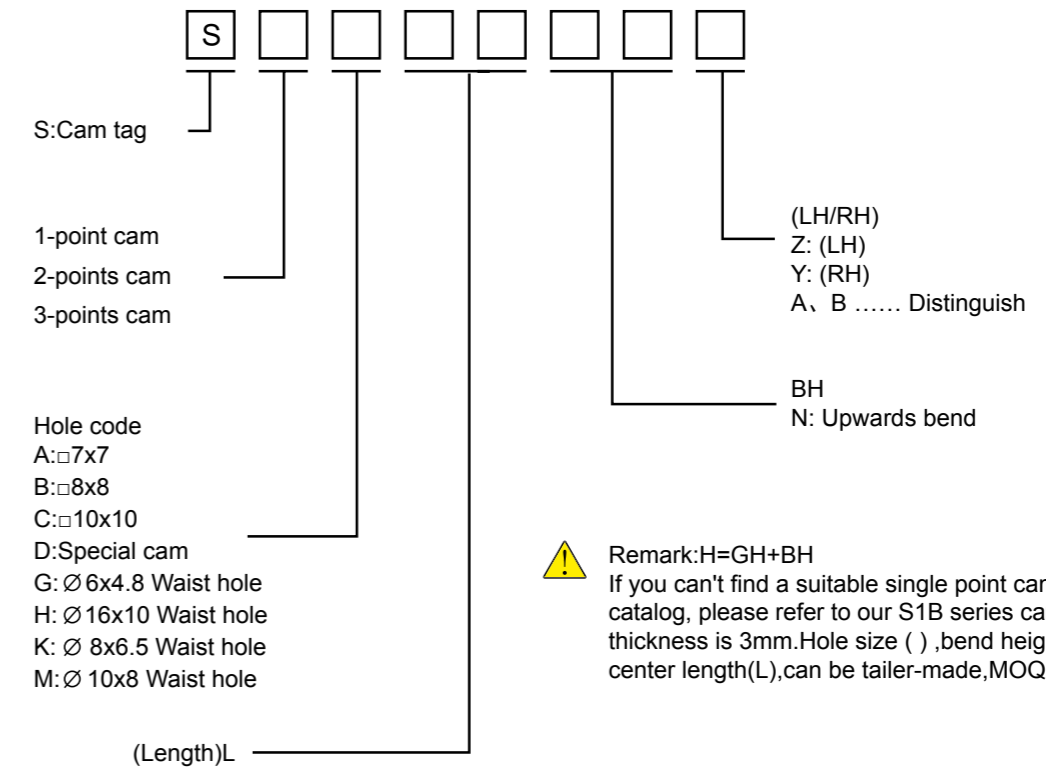
Cam code	BH	L	ERP
S1B2402X	2	24	S1B24Y02001

S1B6800X



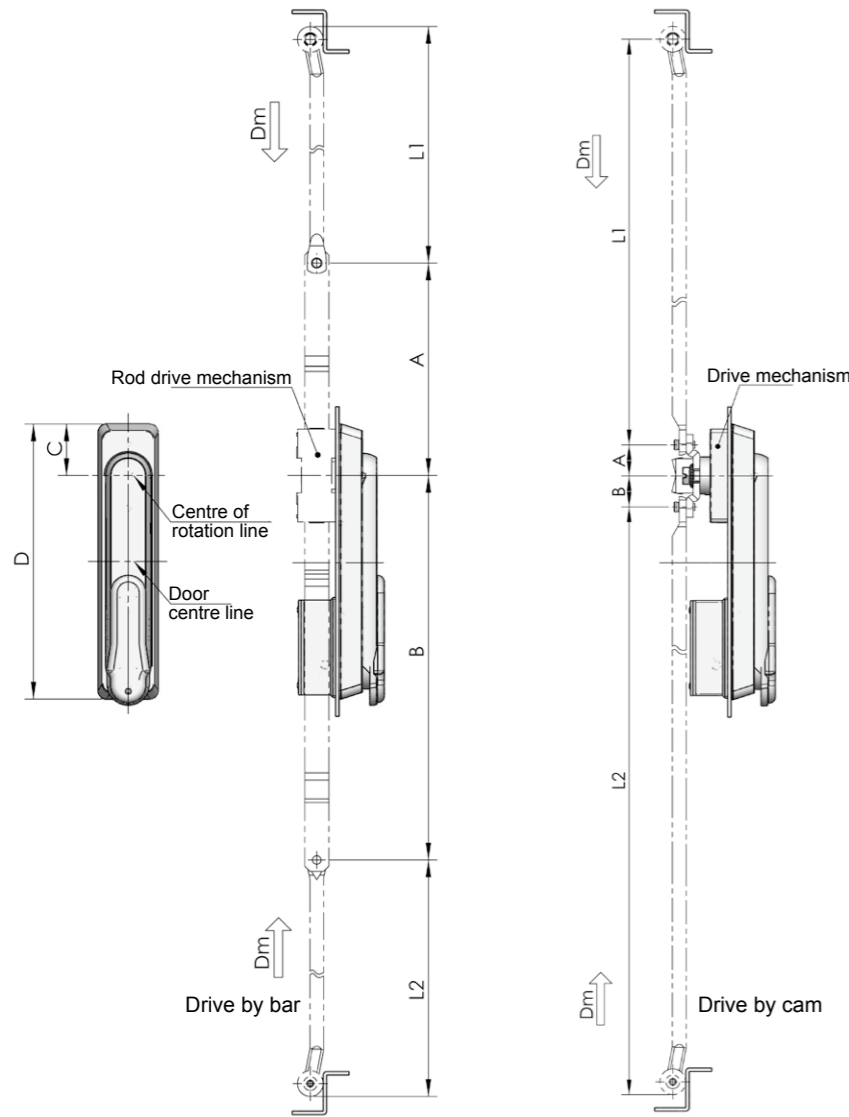
Cam code	L	ERP
S1B6800X	68	28768000001

Cam code specification

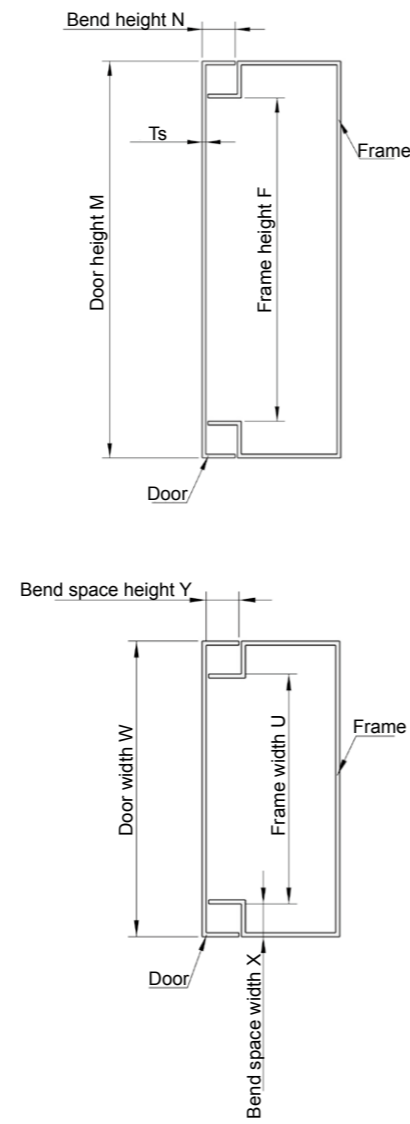


! Remark: H=GH+BH
If you can't find a suitable single point cam in our catalog, please refer to our S1B series cam, the default thickness is 3mm. Hole size (), bend height (BH) and center length (L), can be tailor-made, MOQ 1000pcs.

Example of rod-latch application



Cabinet structural sketch



LG001-1

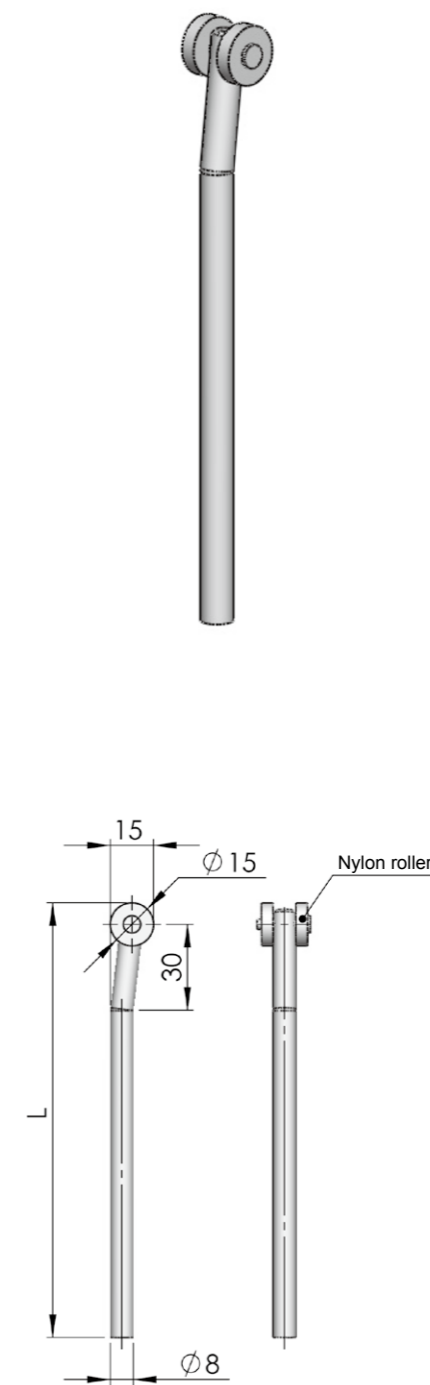


Zinc-plated steel, cone-round rod

ERP LG001F3D000003

Please specify the rod length "L" purchase

LG001-2

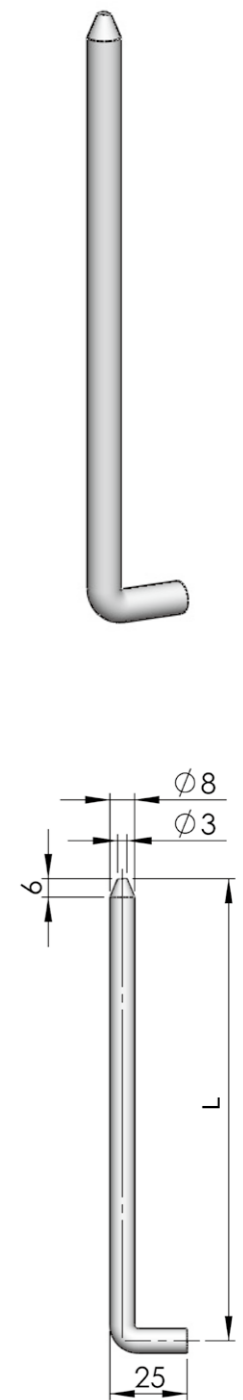


Zinc-plated steel, match with PA roller round rod

ERP LG001F3D000004

Please specify the rod length "L" purchase

LG001-3



Zinc-plated steel, bend, round rod

ERP LG001F3D000005

Please specify the rod length "L" purchase

Calculate the length of the rod

Calculation method of coincident length of door center and center line of rotation part

$$L1 = F/2 - A + (Dm - 2)$$

$$L2 = F/2 - B + (Dm - 2)$$

Calculation method of coincident length of door center and center line of lock

$$L1 = F/2 - [A + (D/2 - C)] + (Dm - 2)$$

$$L2 = F/2 - [B - (D/2 - C)] + (Dm - 2)$$

Remark: the effective length of connecting piece should be deducted if a connecting piece is needed for fitting. This calculation method is applicable for those rods with seals fitted inside. Be aware of the actual installation conditions when using the above methods.

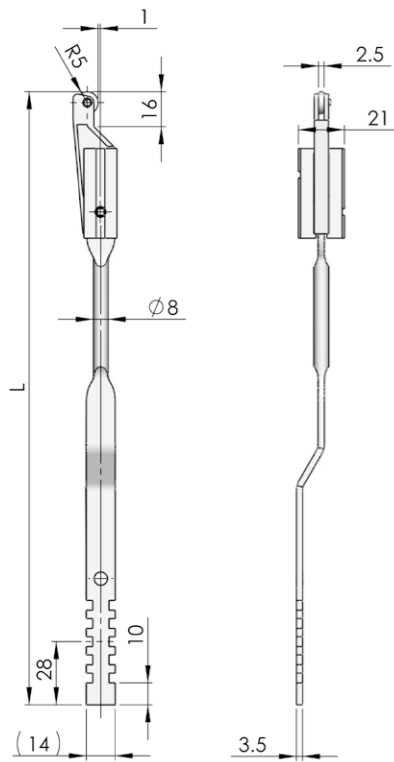
Dm: the code of driving distance

F: door frame height

Accessories
Electronic lock
Handle lock
Cylinder lock
Plane lock
Rod control lock
Panel lock
Toggle and hook
Handles
Door stop
Hinge
Seal gasket

Accessories
Electronic lock
Handle lock
Cylinder lock
Plane lock
Rod control lock
Panel lock
Toggle and hook
Handles
Door stop
Hinge
Seal gasket

LG002-1

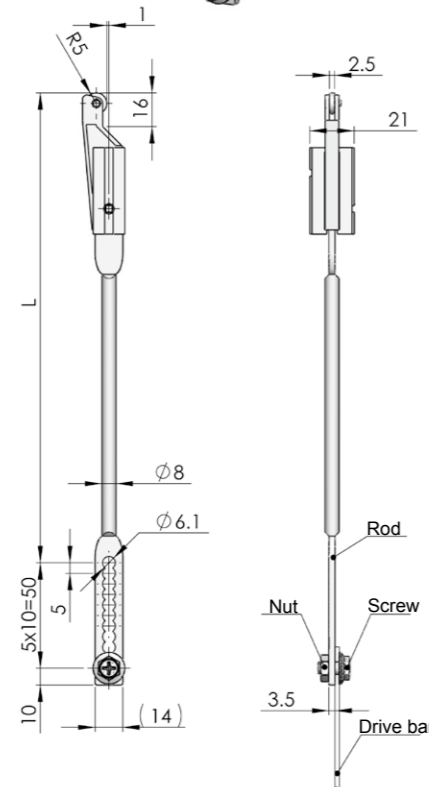


Zinc-plated, flat teeth rod, PA roller. ZDC joint, outside the gasket.

ERP LG002F3D000001

Please specify the rod length "L" purchase

LG002-2



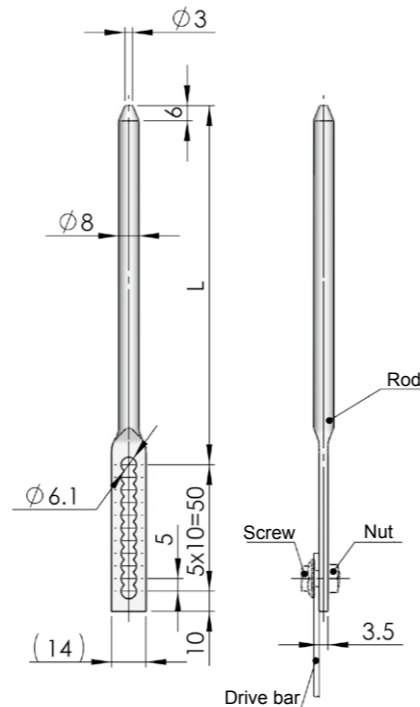
Remark:fix flat bar with screw, rod length is adjustable, 5mm is adjusted by changing one set hole

Zinc-plated steel, adjustable round rod,PA roller, ZDC joint, outside the gasket.

ERP LG002F3D000002

Please specify the rod length "L" purchase

LG003



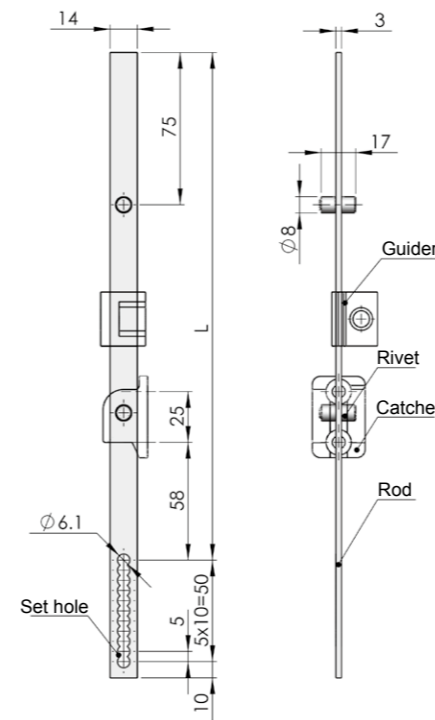
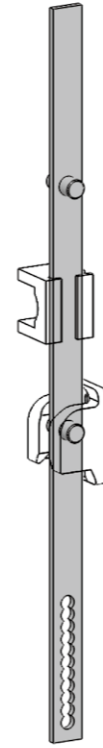
Remark:fix flat bar with screw, rod length is adjustable, 5mm is adjusted by changing one set hole

Zinc-plated steel, adjustable round rod

ERP LG003F3D000001

Please specify the rod length "L" purchase

LG004

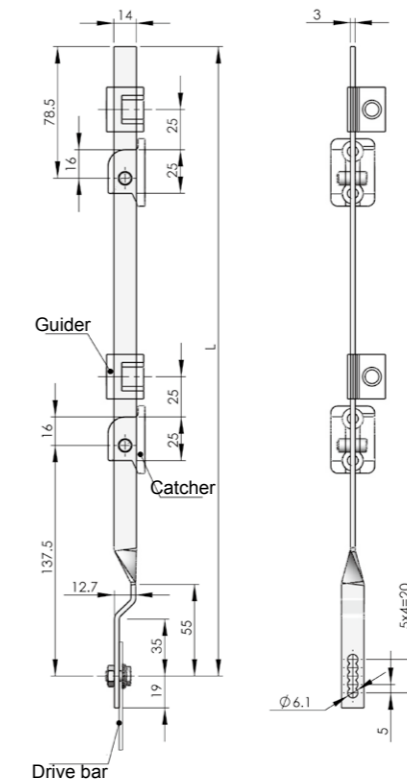
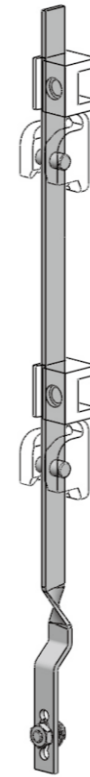


Zinc-plated steel, adjustable flat rod, outside the gasket.

ERP LG004F3D000001

Please specify the rod length "L" purchase

LG005



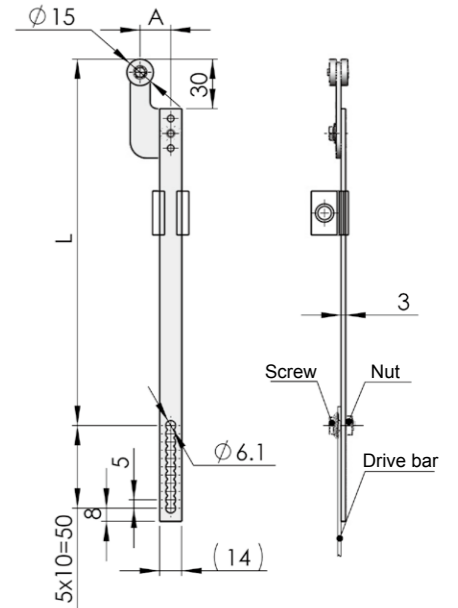
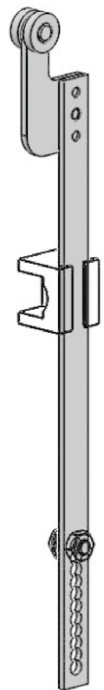
Remark:fix flat bar with screw, rod length is adjustable, 5mm is adjusted by changing one set hole

Zinc-plated steel, adjustable flat rod, outside the gasket, it is fit for lock MS838.

ERP LG005F3D000001

Please specify the rod length "L" purchase

LG006



Zinc-plated steel, adjustable flat rod

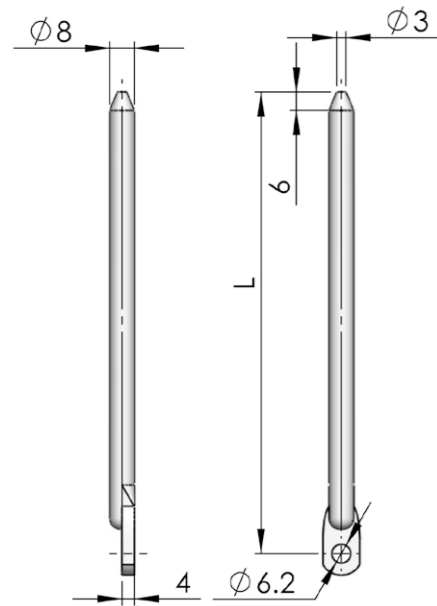
ERP	A
LG006F3D000001	18.5
LG006F3D000002	22.5
LG006F3D000003	27.5
LG006F3D000004	35

Please specify the rod length "L" purchase

Accessories
Electronic lock
Handle lock
Cylinder lock
Plane lock
Rod control lock
Panel lock
Toggle and hook
Handles
Door stop
Hinge
Seal gasket

Accessories
Electronic lock
Handle lock
Cylinder lock
Plane lock
Rod control lock
Panel lock
Toggle and hook
Handles
Door stop
Hinge
Seal gasket

LG007-A

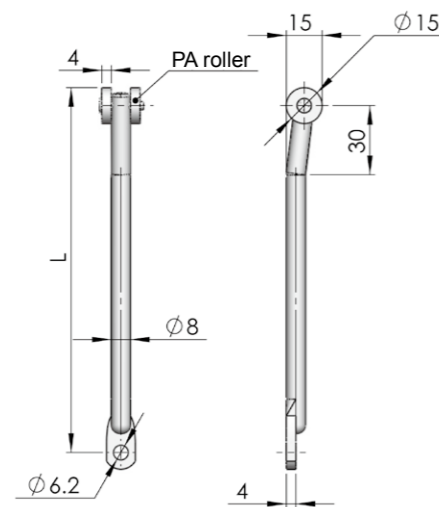
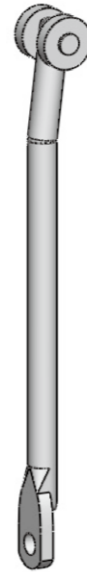


Zinc-plated steel, cone-round head with hole rod

ERP LG007F3D000001

Please specify the rod length "L" purchase

LG007-B

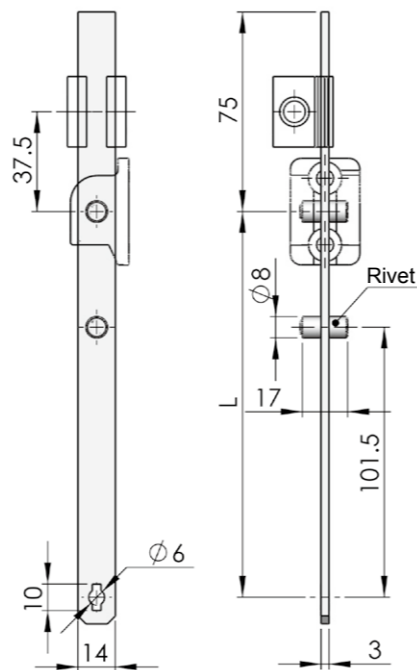
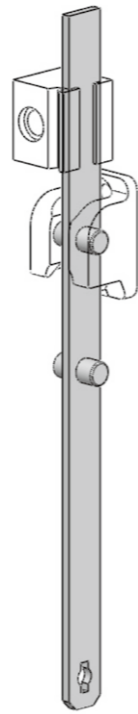


Zinc-plated steel, cone-round head with hole rod; with white PA roller

ERP LG007F3D000002

Please specify the rod length "L" purchase

LG010

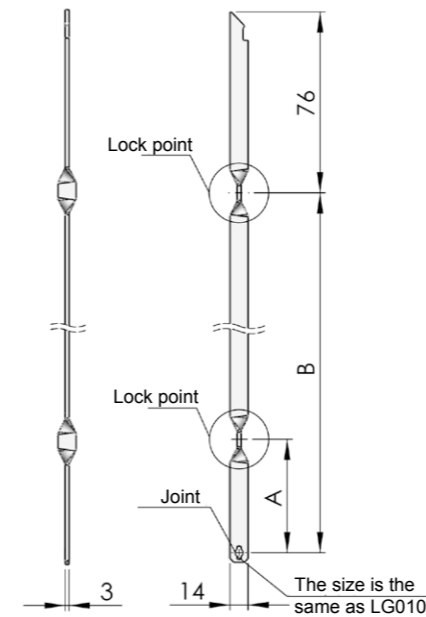


Zinc-plated steel, flat rod, refer to accessory chart on request of accessories

ERP LG010F3D000001

Please specify the rod length "L" purchase

LG011

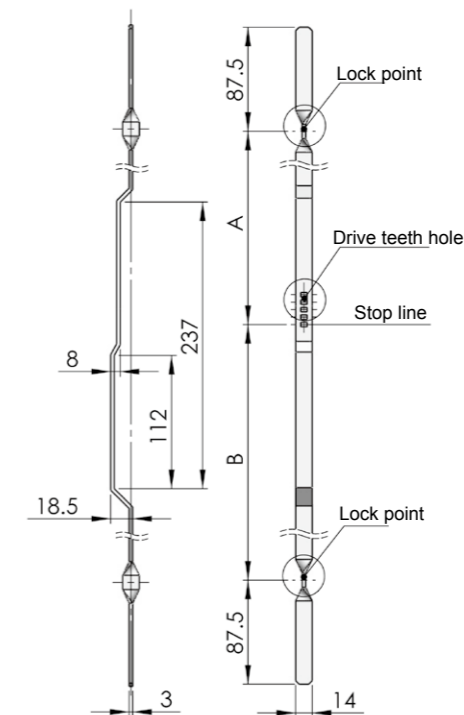
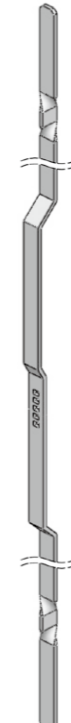


Zinc-plated steel, flat rod, match with RG003-2

ERP LG011F3D000001

Please specify the rod length "L" purchase

LG012

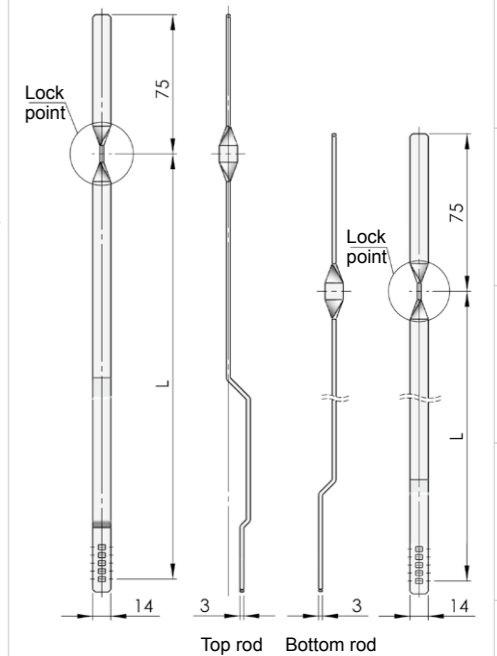
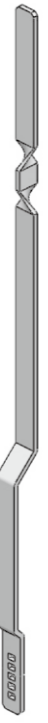


Zinc-plated steel, flat rod, match with RG003-2, used in MS856

ERP LG012F3D000001

Please specify the rod length "L" purchase

LG013-A

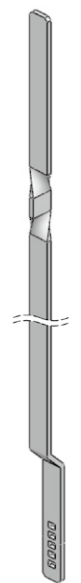


Zinc-plated steel, flat rod, match with RG003-2, used in MS856

ERP	Specification
LG013F3D000001	Top rod
LG013F3D000002	Bottom rod

Please specify the rod length "L" purchase

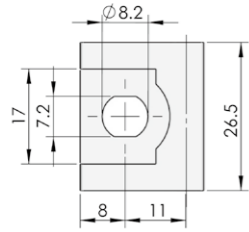
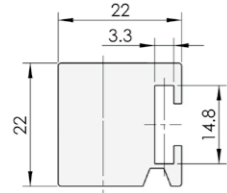
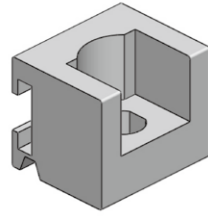
LG013-B



Accessories
Electronic lock
Handle lock
Cylinder lock
Plane lock
Rod control lock
Panel lock
Toggle and hook
Handles
Door stop
Hinge
Seal gasket

Accessories
Electronic lock
Handle lock
Cylinder lock
Plane lock
Rod control lock
Panel lock
Toggle and hook
Handles
Door stop
Hinge
Seal gasket

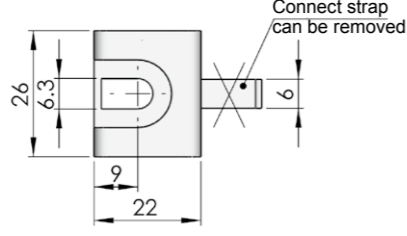
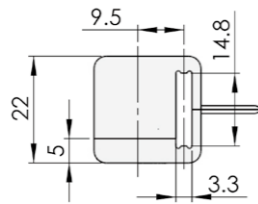
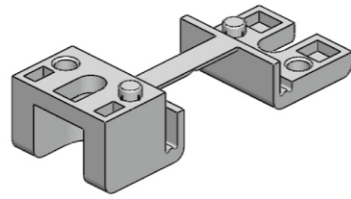
RG001-1



Black PA guide, fix with M6*16~20 weld screw

ERP	Material
1110000001	Black PA

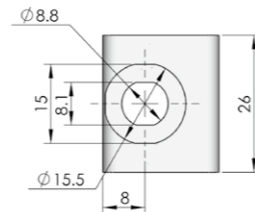
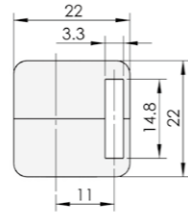
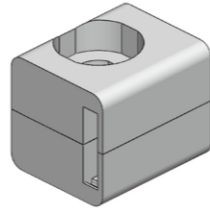
RG001-2



Black PA guide, fix with M6*16~20 weld screw, connect strap can be removed

ERP	Material
1110000002	Black PA

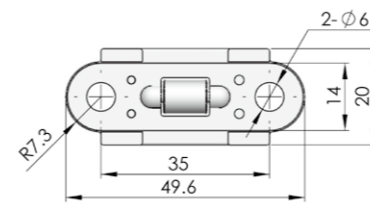
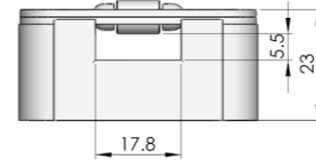
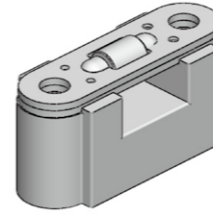
RG001-3



Black PA guide, zinc-plated nut, fix with M6*16~20 weld screw

ERP	Material
1110000003	Black PA

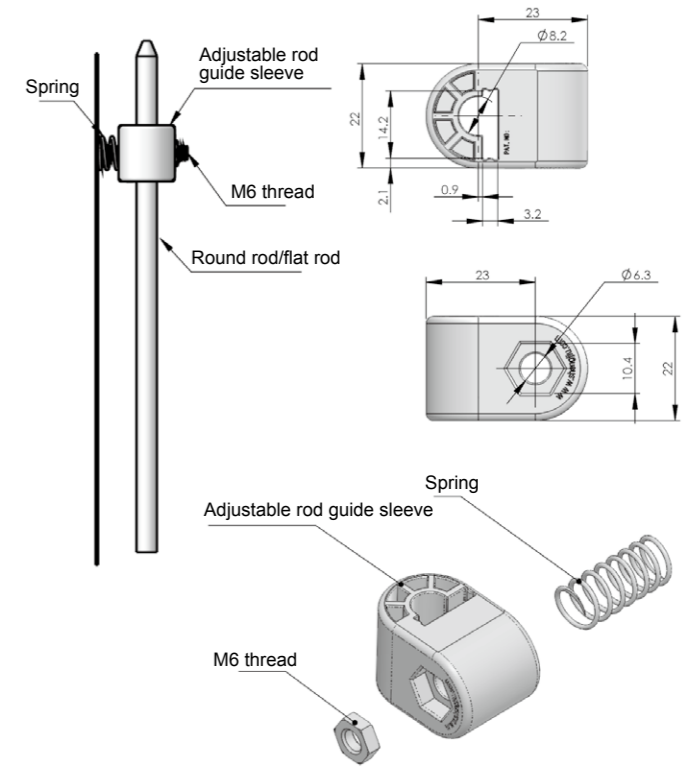
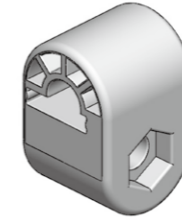
RG001-9



PC guide

ERP	Material
1110010009	PC(White)

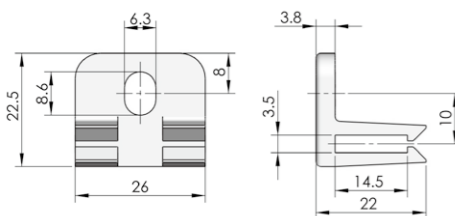
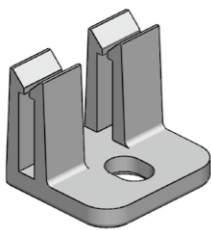
RG010



PA guide

ERP	Material
1110100001	Black PA

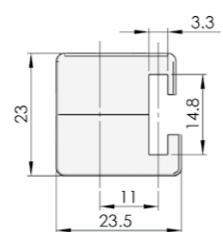
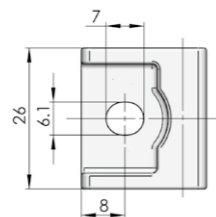
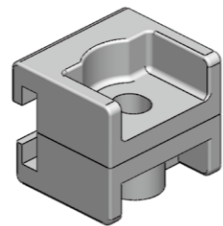
RG001-4



Black PA guide, fix with M6*12 weld screw

ERP	Material
1110000004	Black PA

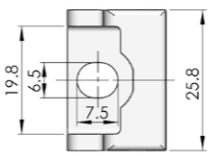
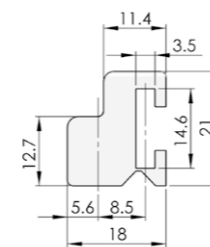
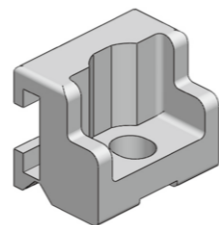
RG001-5



Black PA guide, fix with M6*22 weld screw

ERP	Material
1110010001	Black PA

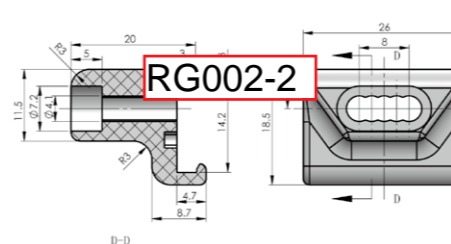
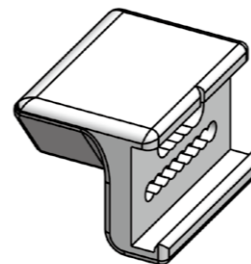
RG001-8



Black PA guide, fix with M6*16~20 weld screw

ERP	Material
1110000006	Black PA

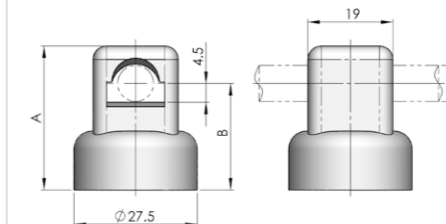
RG001-11



Guide, fix with 3*14 flat rod

ERP	Material
	PA+30%GF(Black)

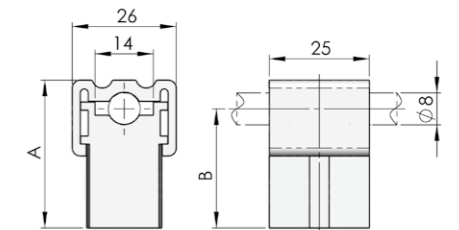
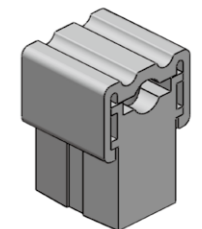
RG002



Black PA guide, nut inside

ERP	A	B	Welding screw specification
RG002-1	32	24	M6x16
RG002-2	38	30	M6x20
RG002-3	42	34	M6x20

RG002-A



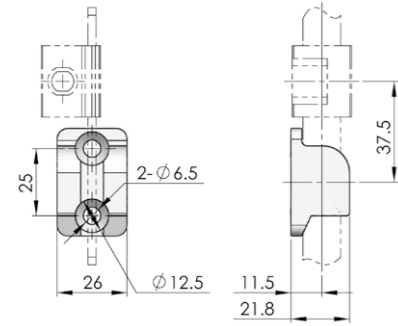
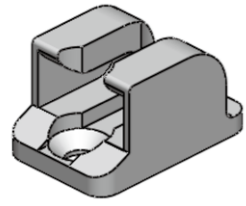
Black PA guide, nut inside, match with flat rod

ERP	A	B	Welding screw specification
1110021102	32	24	M6x16
1110021103	38	30	M6x20

Accessories
Electronic lock
Handle lock
Cylinder lock
Plane lock
Rod control lock
Panel lock
Toggle and hook
Handles
Door stop
Hinge
Seal gasket

Accessories
Electronic lock
Handle lock
Cylinder lock
Plane lock
Rod control lock
Panel lock
Toggle and hook
Handles
Door stop
Hinge
Seal gasket

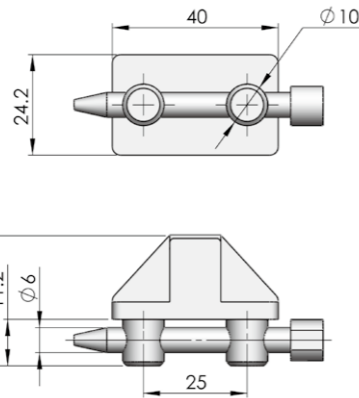
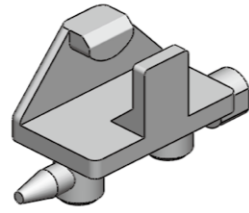
RG003-1



Black ZDC catcher, match with the rod white rivet

ERP	Material
1110030001	ZDC

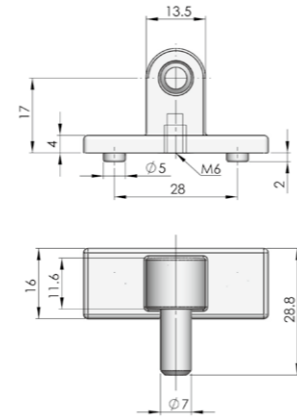
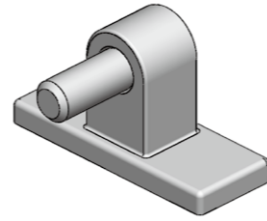
RG003-2



Black ZDC clip catcher, PA pin, fit with 2MM door

ERP	Material
1110030002	ZDC

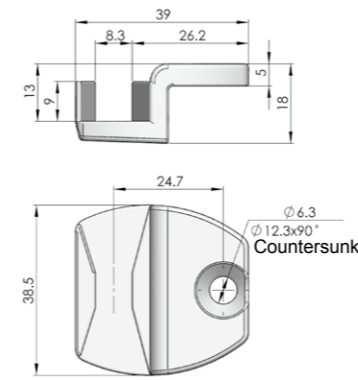
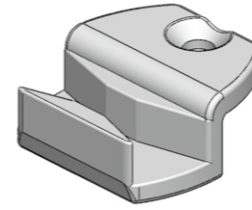
RG003-3



Zinc plated ZDC catcher, Zinc plated steel pin, fixed with M6 screw.

ERP	Material
1110030003	ZDC

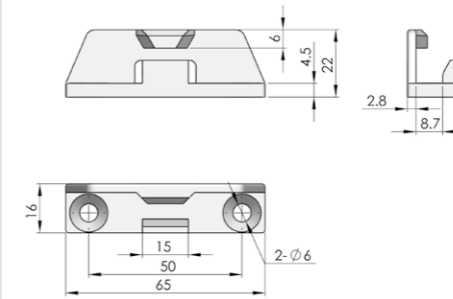
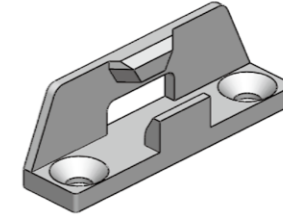
RG003-7



Zinc plated ZDC catcher, fixed with M6 countersunk head screw.

ERP	Material
1110030007	ZDC

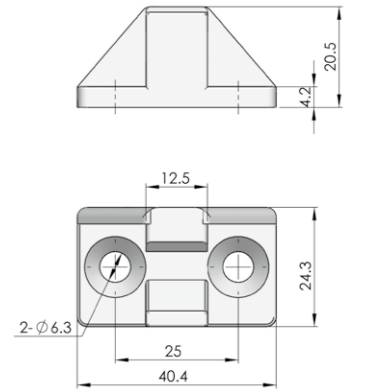
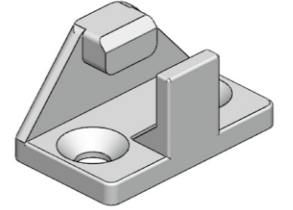
RG003-8



Zinc plated ZDC cassette catcher, fixed with M6 countersunk head screw.

ERP	Material
1110030008	ZDC

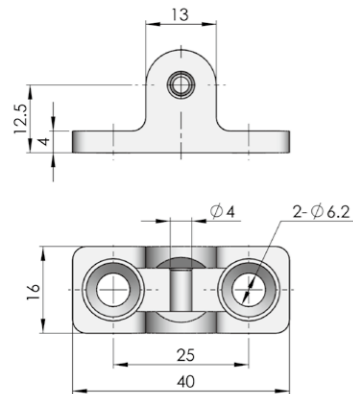
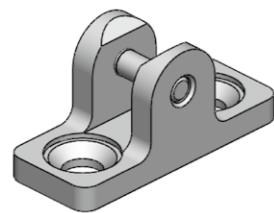
RG003-9



Zinc plated ZDC Cassette fixed buckle, fixed with M6 countersunk head screw.

ERP	Material
1110030009	ZDC

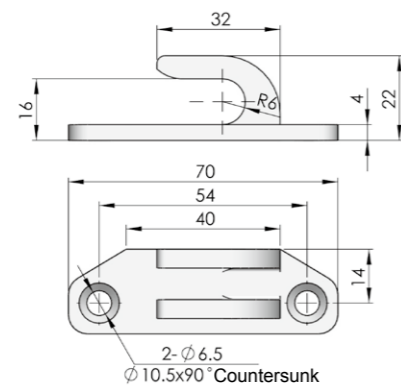
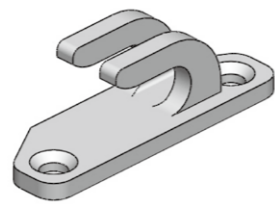
RG003-4



Zinc plated ZDC catcher, stainless steel pin, fixed with M6 screw.

ERP	Material
1110030004	ZDC

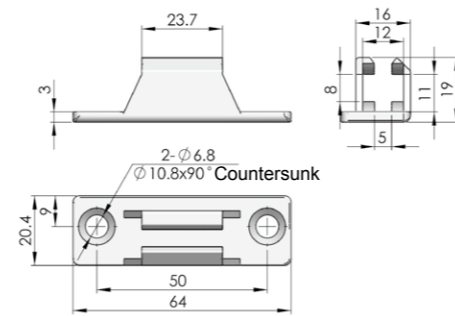
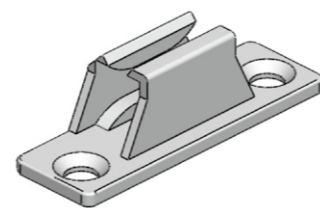
RG003-5



Zinc plated ZDC catcher, fixed with M6 countersunk head screw, match with the rod with roller.

ERP	Material
1110030005	ZDC

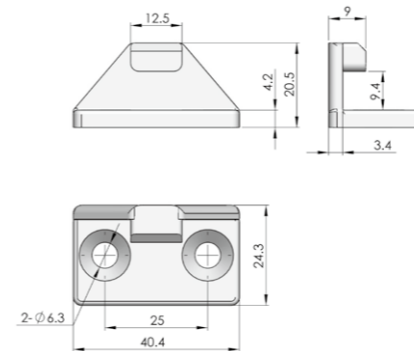
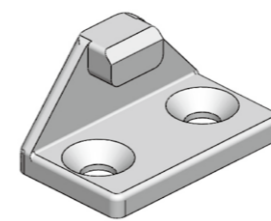
RG003-6



Zinc plated ZDC catcher, fixed with M6 countersunk head screw, match with locking pin flat rod.

ERP	Material
1110030006	ZDC

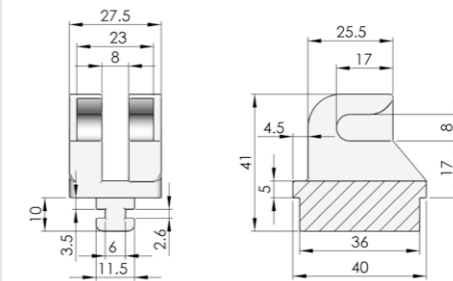
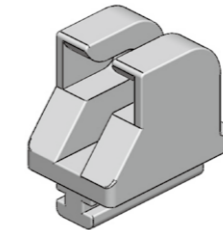
RG003-10



Zinc plated ZDC Cassette fixed buckle, fixed with M6 countersunk head screw.

ERP	Material
1110030010	ZDC

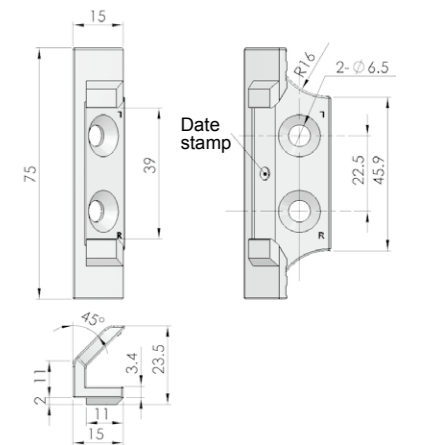
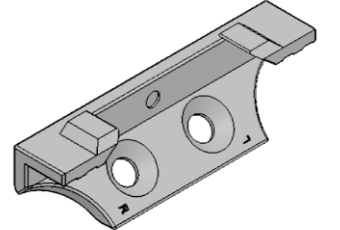
RG003-11



Zinc plated ZDC catcher, fixed with M6 countersunk head screw, match with locking pin flat rod.

ERP	Material
1110030012	ZDC

RG003-14



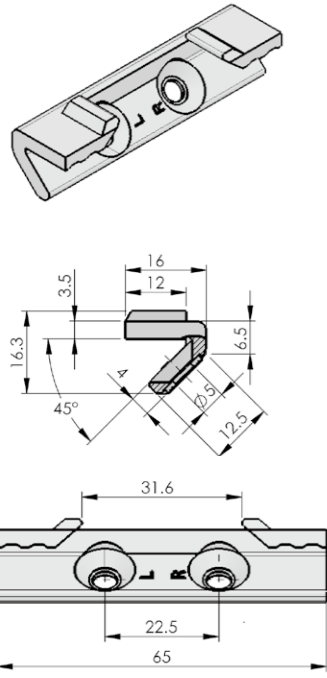
Cam catcher; L and R available

ERP	Material
	ZDC

Accessories
Electronic lock
Handle lock
Cylinder lock
Plane lock
Rod control lock
Panel lock
Toggle and hook
Handles
Door stop
Hinge
Seal gasket

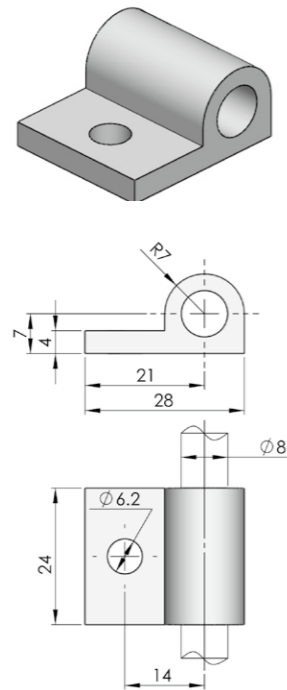
Accessories
Electronic lock
Handle lock
Cylinder lock
Plane lock
Rod control lock
Panel lock
Toggle and hook
Handles
Door stop
Hinge
Seal gasket

RG003-15



ERP	Material
2240030001	ZDC

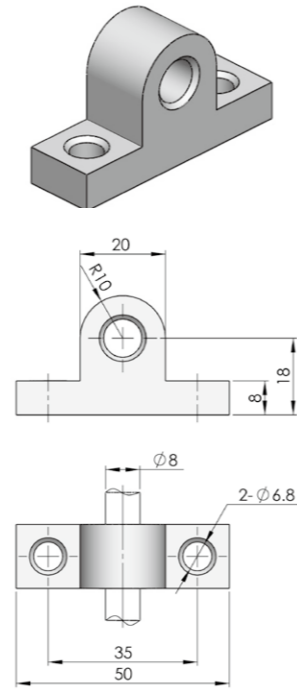
RG004-1



PA guider

ERP	Material
1110040001	Black PA

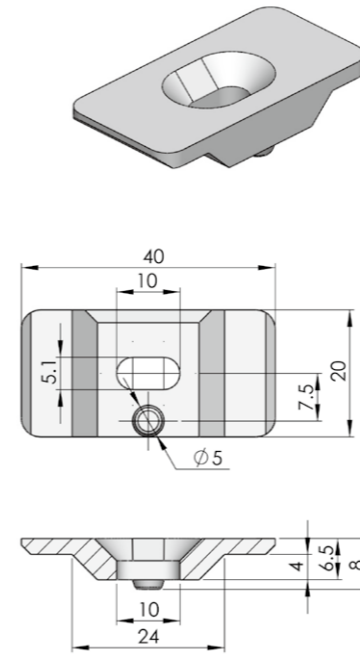
RG004-2



PA guider

ERP	Material
1110040002	White ABS

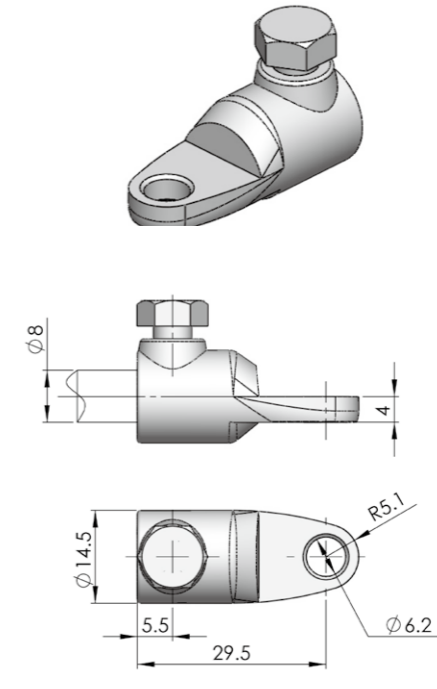
RG005-3



Cam catcher,match with S1A1403.

ERP	Material
1110050003	ZDC

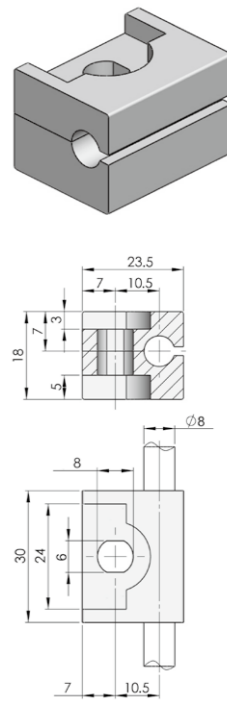
RG006-1



Zinc plated ZDC,connect accessories,Zinc plated steel,M6 set screw.

ERP	Material
1110061001	ZDC

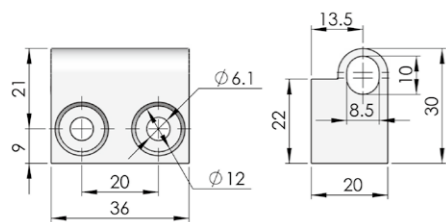
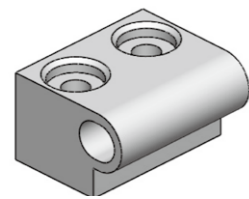
RG006-2



PA guider

ERP	Material
1110060002	Black PA

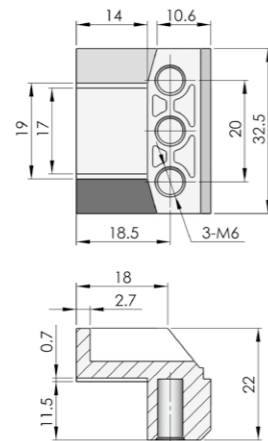
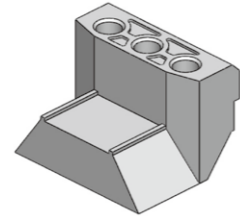
RG004-3



Black ABS guider

ERP	Material
1110040003	Black ABS

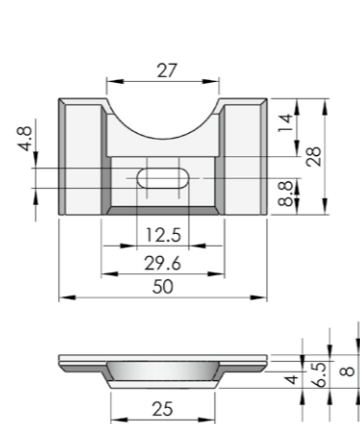
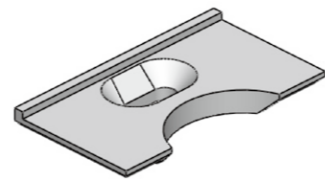
RG005-1



ZDC fix catcher,match with LG002-1/2.

ERP	Material
1110050001	ZDC

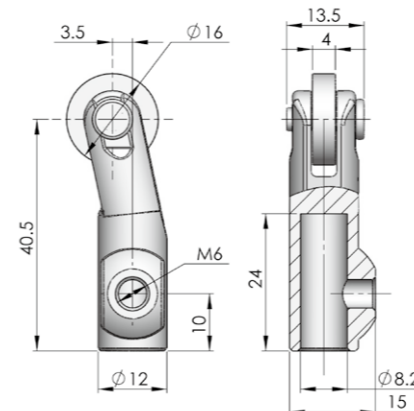
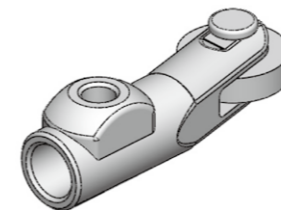
RG005-2



Cam fix fastener,match with S1A1403.

ERP	Material
1110050002	ZDC

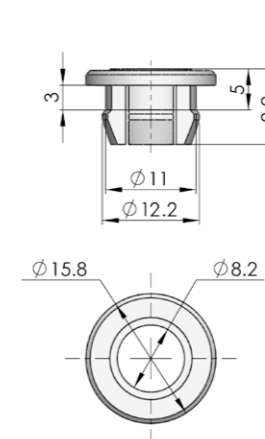
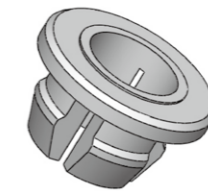
RG007



ZDC connect cover, nylon rolle, match with LG001-1 and LG003.

ERP	Material
1110070001	ZDC/PA

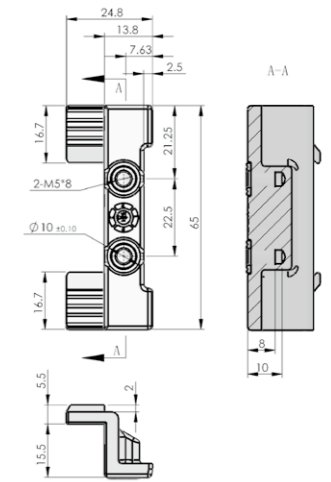
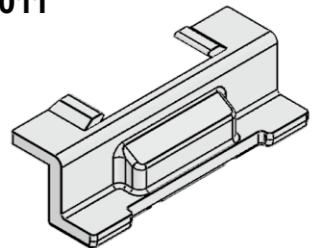
RG008



Nylon guide,match with Ø8 mm round rod.

ERP	Material
1110080001	Black PA

RG011



ZDC Guide

ERP	Material
2130110001	ZDC

Accessories
Electronic lock
Handle lock
Cylinder lock
Plane lock
Rod control lock
Panel lock
Toggle and hook
Handles
Door stop
Hinge
Seal gasket

HP001

Black PA handle pull

ERP	Material
1150010003	Black PA

HP002

Black rubber handle pull

ERP	Material
1150020002	RB

HP003

Black PP handle pull

ERP	Material
1150030002	Black PP

Locking screw

Washer screw size	H
M4 x 8	8

Washer screw size	H
M6 x 8	8
M6 x 10	10
M6 x 27	27
M6 x 55	55

Washer screw size	H
M8 x 12	12

A3001

Cannula

ERP	Material
1153001001	SUS
1153001002	Pocked black powder Q235

A3002

Zinc plated steel seating, applicable for locks similar to MS705

ERP	Material
1110040001	Zinc plated Q235

Accessories
Electronic lock
Handle lock
Cylinder lock
Plane lock
Rod control lock
Panel lock
Toggle and hook
Handles
Door stop
Hinge
Seal gasket

Cylinder insert

TC01

Chrome plated ZDC insert default Key K140, Automatic reset lock tongue.

TC01-2

Chrome plated ZDC insert default Key K140, Automatic reset lock tongue.

TC03-1

Brass Anti-theft insert on request of safety and special circumstance.

TC03-5

Brass Anti-theft insert on request of safety and special circumstance.

TC04-1

Chrome plated insert, default K140, automatic reset.

TC04-2

Chrome plated insert, with button, automatic reset.

TC05-1

Chrome plated ZDC insert, with stainless steel safety cover and stainless steel screw. default key K140, automatic reset.

TC06-1

Chrome plated ZDC insert, match with padlock, default key K290, automatic reset.

TC06-2

Chrome plated ZDC insert, match with padlock, default key K290.

Model	A	B
TC06-2	17	Ø12
TC06-3	26.5	Ø14
TC06-4	12	Ø8x11

TC02-1

Chrome plated ZDC insert, auto-resilie striking plate, see P061 for insert sets.

	Specification	Code	Key Code
Insert insert	Double bit 4mm	TC02-1	K15-1/K15-1F/K15-1A
	Double bit 3mm	TC02-1A	K15-1/K15-1F/K15-1A
	Hooked	TC02-2	K15-1
	Triangular 8mm	TC02-3	K15-3/K15-3F
	Square 8mm	TC02-4	K15-4/K15-4F
	Square 8mm with slot	TC02-4A	K15-4/K15-4F
	Square 6mm	TC02-5	K15-5/K15-5F/K15-5A
	Square 7mm	TC02-6	K15-6/K15-6F
	Socket Hexagon	TC02-7	K15-7/K15-7F
	Slot	TC02-8	
	Hexagon	TC02-9	K15-9/K15-9F
	Thron	TC02-10	K15-10
Oblate-type	TC02-11	K15-11	
Triangular 7mm	TC02-12	K15-3/K15-3F	

TC08

Insert list on P061

	Specification	Code	Key Code
Insert insert	Key-type insert	TC08-A1	K14/K19
	Double bit 4mm	TC08-B1	K15-1/K15-1F/K15-1A
	Double bit 3mm	TC08-B1A	K15-1/K15-1F/K15-1A
	Hooked	TC08-B2	K15-1
	Triangular 8mm	TC08-B3	K15-3/K15-3F
	Square 8mm	TC08-B4	K15-4/K15-4F
	Square 8mm with slot	TC08-B4A	K15-4/K15-4F
	Square 6mm	TC08-B5	K15-5/K15-5F/K15-5A
	Square 7mm	TC08-B6	K15-6/K15-6F
	Socket Hexagon	TC08-B7	K15-7/K15-7F
	Slot	TC08-B8	
	Hexagon	TC08-B9	K15-9/K15-9F
Thron	TC08-B10	K15-10	
Oblate-type	TC08-B11	K15-11	
Triangular 7mm	TC08-B12	K15-3/K15-3F	

Key series

K083

K110

K130

K140(Stainless iron)

K140(Plastic grip)

K160

K280

K570

K580

K590

K600

K722

K723

Accessories

Electronic lock

Handle lock

Cylinder lock

Plane lock

Rod control lock

Panel lock

Toggle and hook

Handles

Door stop

Hinge

Seal gasket

Seal gasket

Seal gasket