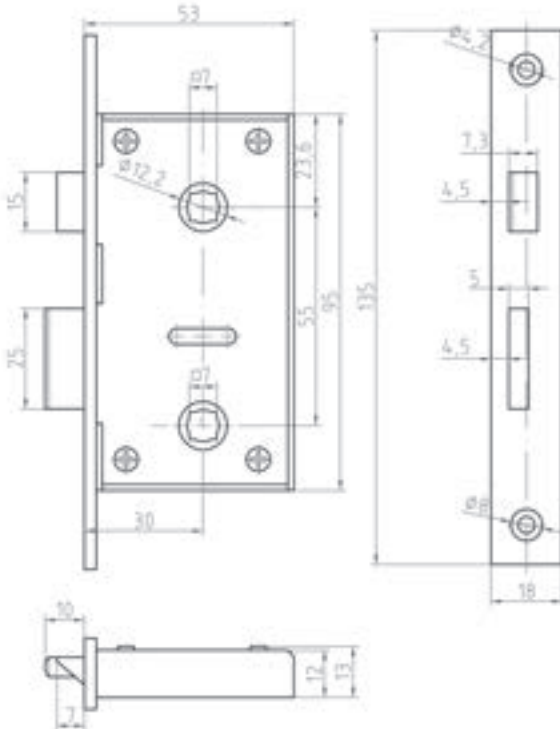


MORTISE LOCK WC - MORTISE LOCK WC, SERIE 1060

Brass Ms 63

- Faceplate: Angular
- Backset 30 mm
- For 7 mm door handles
- Olive nut 7 mm
- Handle set recommended: 207067
- Striking plate: 226101/02

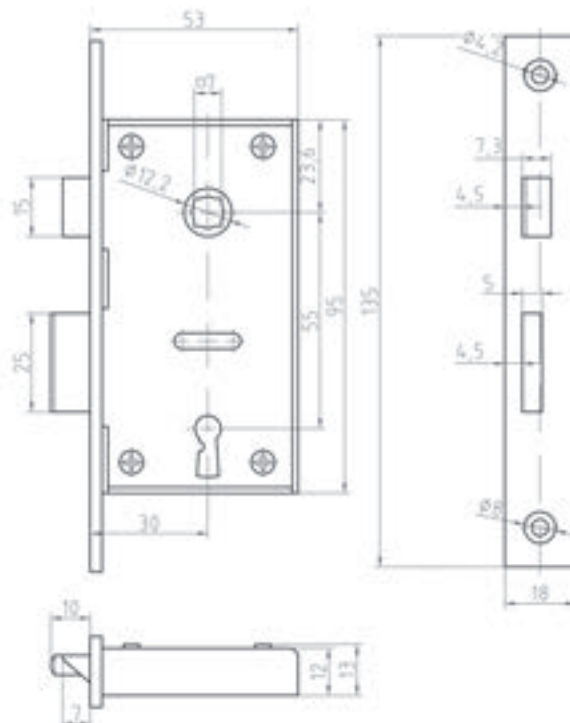


Art.code	Surface	Article description	Unit	Weight
106011.4	Bp	Mortise WC lock, right, 30/7/7 mm, with solid latch	pc.	0,275
106011.6	Bpc	Mortise WC lock, right, 30/7/7 mm, with solid latch	pc.	0,275
106011.9	Bmc	Mortise WC lock, right, 30/7/7 mm, with solid latch	pc.	0,275
106012.4	Bp	Mortise WC lock, left, 30/7/7 mm, with solid latch	pc.	0,275
106012.6	Bpc	Mortise WC lock, left, 30/7/7 mm, with solid latch	pc.	0,275
106012.9	Bmc	Mortise WC lock, left, 30/7/7 mm, with solid latch	pc.	0,275

MORTISE LOCK BB - MORTISE LOCK BB, SERIE 1061

Brass Ms 63

- With 2 keys
- Faceplate: Angular
- Backset 30 mm
- For 7 mm door handles
- Handle set recommended: 207167
- Striking plate: 226101/02



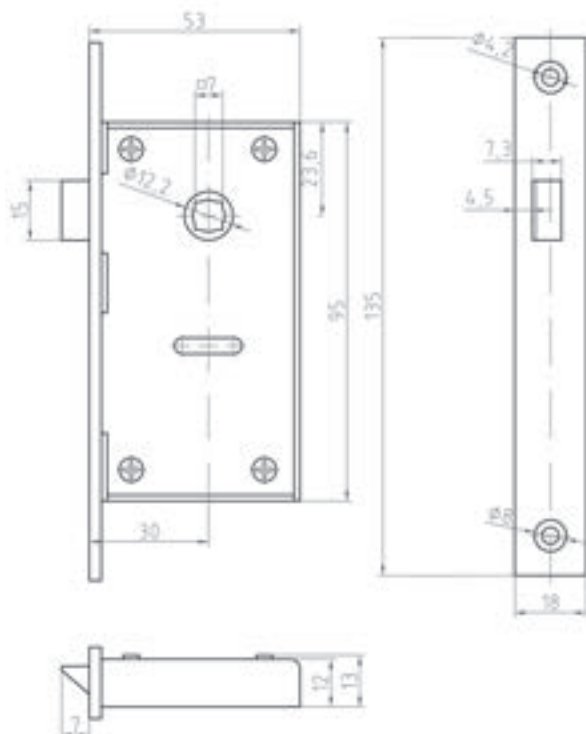
Art.code	Surface	Article description	Unit	Weight
106111.4	Bp	Mortise lock BB, right, 30/7 mm, with solid latch	pc.	0,310
106111.6	Bpc	Mortise lock BB, right, 30/7 mm, with solid latch	pc.	0,310
106111.9	Bmc	Mortise lock BB, right, 30/7 mm, with solid latch	pc.	0,310
106112.4	Bp	Mortise lock BB, left, 30/7 mm, with solid latch	pc.	0,310
106112.6	Bpc	Mortise lock BB, left, 30/7 mm, with solid latch	pc.	0,310
106112.9	Bmc	Mortise lock BB, left, 30/7 mm, with solid latch	pc.	0,310

MORTISE CATCHLOCK - MORTISE CATCH LOCK, SERIE 1063

Brass Ms 63

- Faceplate: Angular
- Backset 30 mm
- For 7 mm door handles

- Handle set recommended: 207367
- Striking plate: 226301/02

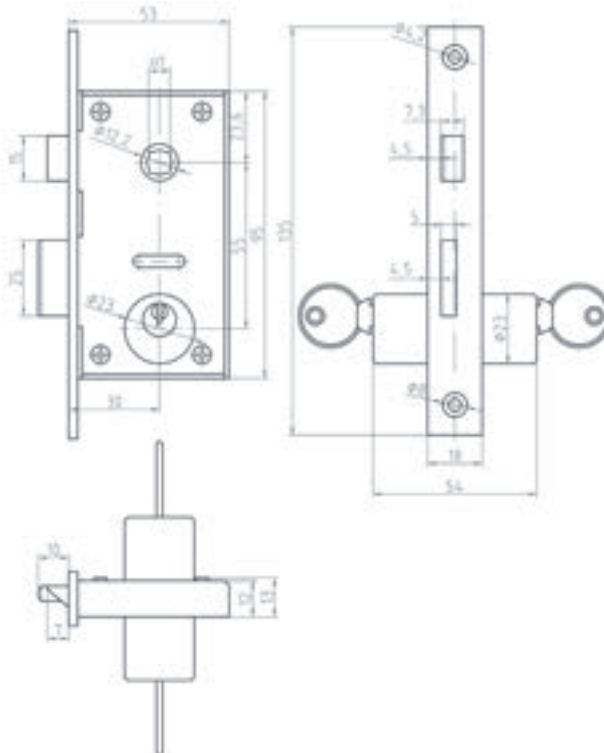


Art.code	Surface	Article description	Unit	Weight
106311.4	Bp	Mortise catchlock, right, 30/7 mm, with solid latch	pc.	0,230
106311.6	Bpc	Mortise catchlock, right, 30/7 mm, with solid latch	pc.	0,230
106311.9	Bmc	Mortise catchlock, right, 30/7 mm, with solid latch	pc.	0,230
106312.4	Bp	Mortise catchlock, left, 30/7 mm, with solid latch	pc.	0,230
106312.6	Bpc	Mortise catchlock, left, 30/7 mm, with solid latch	pc.	0,230
106312.9	Bmc	Mortise catchlock, left, 30/7 mm, with solid latch	pc.	0,230

MORTISE LOCK PC - MORTISE PC LOCK, SERIE 1064

PC/PC

- 2 round cylinders with 2 keys
- Faceplate: Angular
- Backset 30 mm
- For 7 mm door handles
- Handle set recommended: 207467
- Striking plate: 226101/02

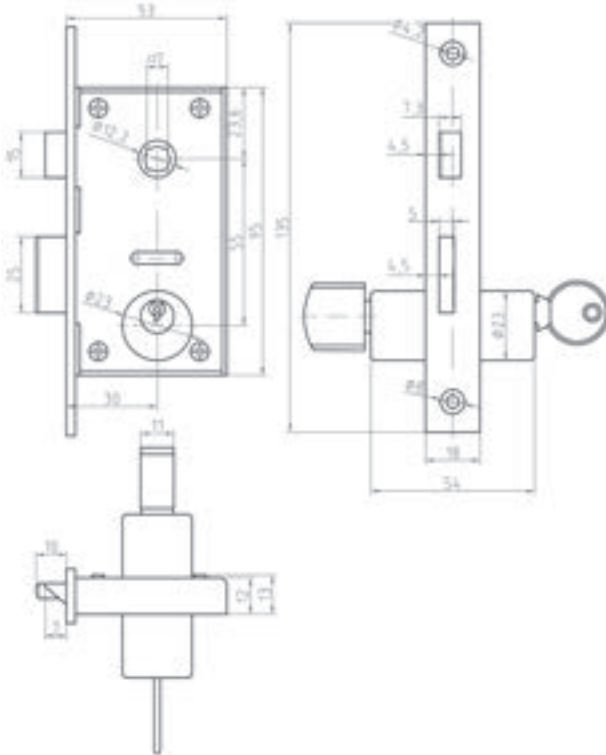


Art.code	Surface	Article description	Unit	Weight
106411.4	Bp	Mortise PC lock, right, 55/30/7 mm, with solid latch	pc.	0,430
106411.6	Bpc	Mortise PC lock, right, 55/30/7 mm, with solid latch	pc.	0,430
106411.9	Bmc	Mortise PC lock, right, 55/30/7 mm, with solid latch	pc.	0,430
106412.4	Bp	Mortise PC lock, left, 55/30/7 mm, with solid latch	pc.	0,430
106412.6	Bpc	Mortise PC lock, left, 55/30/7 mm, with solid latch	pc.	0,430
106412.9	Bmc	Mortise PC lock, left, 55/30/7 mm, with solid latch	pc.	0,430

MORTISE LOCK PC - MORTISE PC/KNOB LOCK, SERIE 1065

PC/Knob

- 1 side round cylinder one side knob with 2 keys
- Faceplate: Angular
- Backset 30 mm
- For 7 mm door handles
- Handle set recommended: 207467
- Striking plate: 226101/02

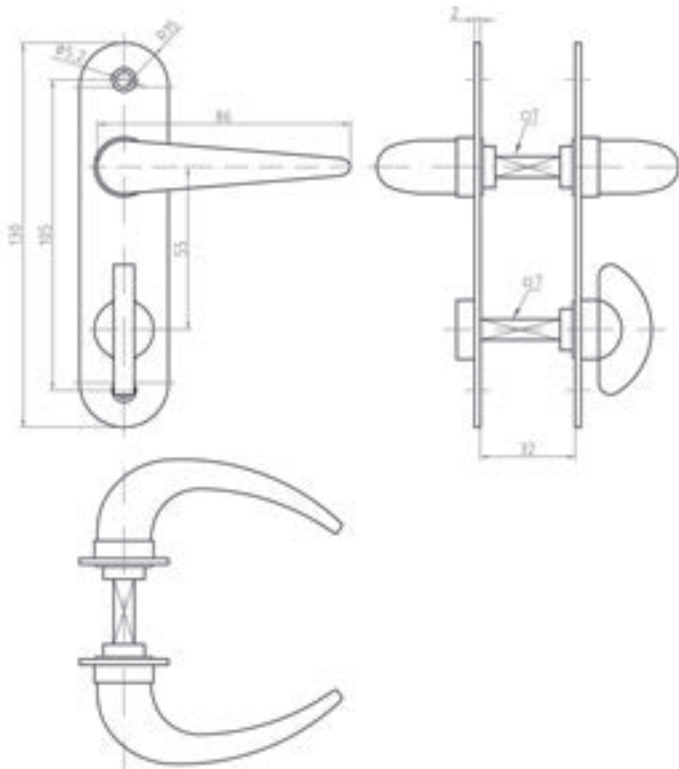


Art.code	Surface	Article description	Unit	Weight
106511.4	Bp	Mortise PC/Knob lock, right, 55/30/7 mm, with solid latch	pc.	0,475
106511.6	Bp	Mortise PC/Knob lock, right, 55/30/7 mm, with solid latch	pc.	0,475
106511.9	Bp	Mortise PC/Knob lock, right, 55/30/7 mm, with solid latch	pc.	0,475
106512.4	Bp	Mortise PC/Knob lock, left, 55/30/7 mm, with solid latch	pc.	0,475
106512.6	Bp	Mortise PC/Knob lock, left, 55/30/7 mm, with solid latch	pc.	0,475
106512.9	Bp	Mortise PC/Knob lock, left, 55/30/7 mm, with solid latch	pc.	0,475

DOOR HANDLE SETS FOR SERIES 106.. - HANDLE SET FOR 1060, WC

130x30x2 mm

- Application for door thickness 22-50 mm
- Please indicate door thickness
- Door handle with spindle 7 mm
- WC Olive 7 mm
- Distance 55 mm

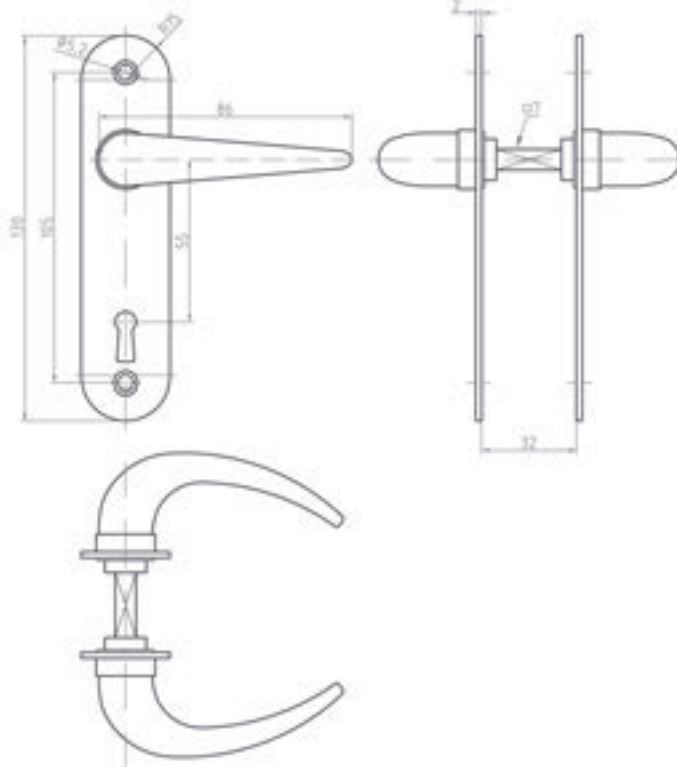


Art.code	Surface	Article description	Unit	Weight
207067.4	Bp	Door handle set, WC, for Series 106..	set	0,430
207067.6	Bpc	Door handle set, WC, for Series 106..	set	0,430
207067.9	Bm	Door handle set, WC, for Series 106..	set	0,430

DOOR HANDLE SETS FOR SERIES 106.. - HANDLE SET FOR 1061, BB

130x30x2 mm

- Application for door thickness 22-50 mm
- Please indicate door thickness
- Door handle with spindle 7 mm
- Distance 55 mm



Art.code	Surface	Article description	Unit	Weight
207167.4	Bp	Door handle set, BB, for Series 1061	set	0,345
207167.6	Bpc	Door handle set, BB, for Series 1061	set	0,345
207167.9	Bmc	Door handle set, BB, for Series 1061	set	0,345

1 LOCKS & ATTACHMENTS BRASS

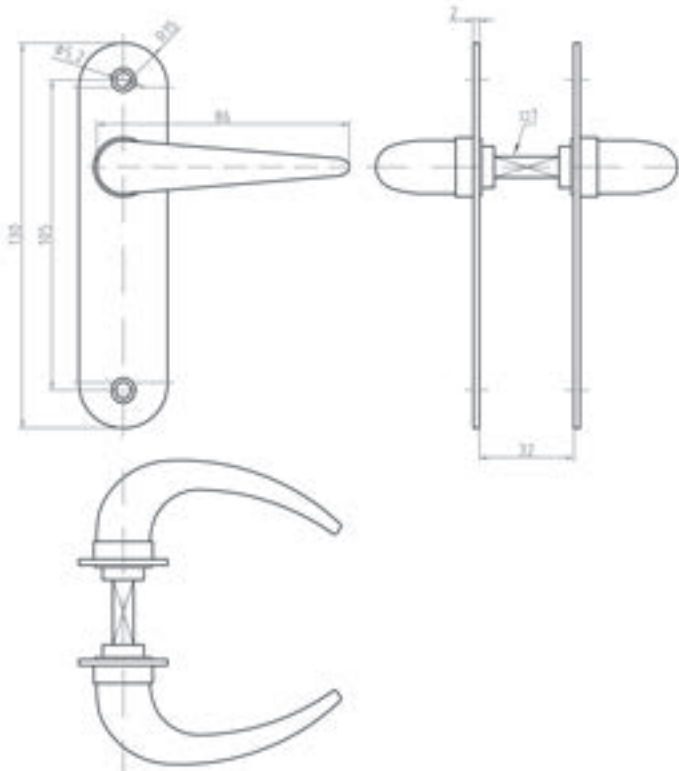
MORTISE LOCKS BRASS BACKSET 30 MM

DOOR HANDLE SETS FOR SERIES 106.. - HANDLE SET FOR 1063, CATCH LOCK

130x30x2 mm

• Application for door thickness 22-50 mm

• Please indicate door thickness

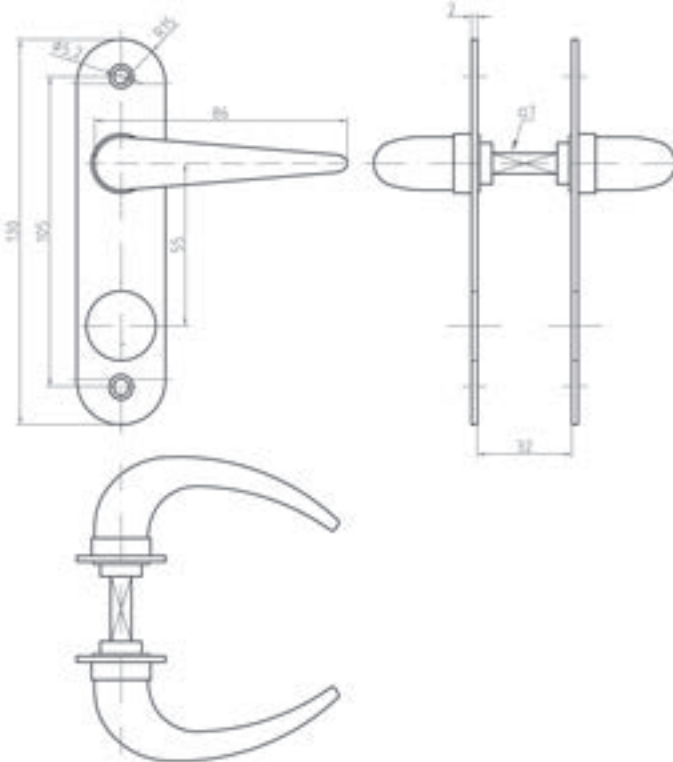


Art.code	Surface	Article description	Unit	Weight
207367.4	Bp	Door handle set, for catch lock, series 1063	set	0,340
207367.6	Bpc	Door handle set, for catch lock, series 1063	set	0,340
207367.9	Bmc	Door handle set, for catch lock, series 1063	set	0,340

DOOR HANDLE SETS FOR SERIES 106.. - HANDLE SET FOR 1064/65, PC

130x30x2 mm

- Application for door thickness 22-50 mm
- Please indicate door thickness
- Door handle with spindle 7 mm
- Distance 55 mm



Art.code	Surface	Article description	Unit	Weight
207467.4	Bp	Door handle set, for PC lock, series 1064 / 1065	set	0,520
207467.6	Bpc	Door handle set, for PC lock, series 1064 / 1065	set	0,520
207467.9	Bmc	Door handle set, for PC lock, series 1064 / 1065	set	0,520

1 LOCKS & ATTACHMENTS BRASS

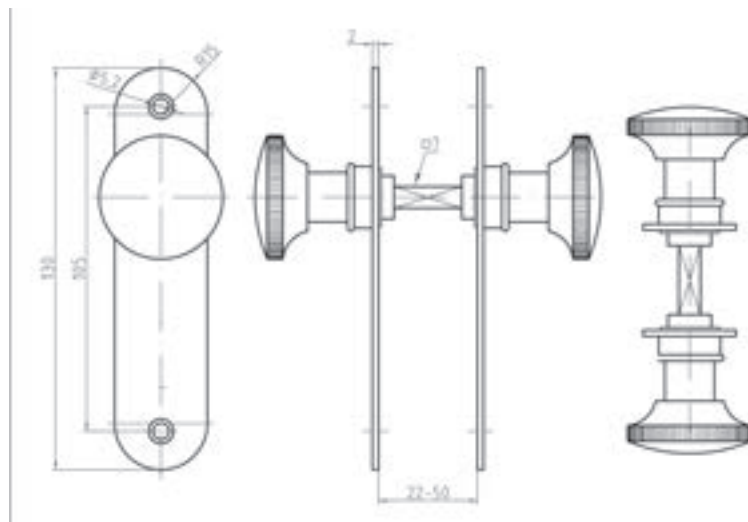
MORTISE LOCKS BRASS BACKSET 30 MM

DOOR HANDLE SETS FOR SERIES 106.. - KNOB / KNOB SET FOR SERIES 106

130x30x2 mm

- Application for door thickness 22-50 mm
- Standard: one knob fixed other side loose with fixing pin

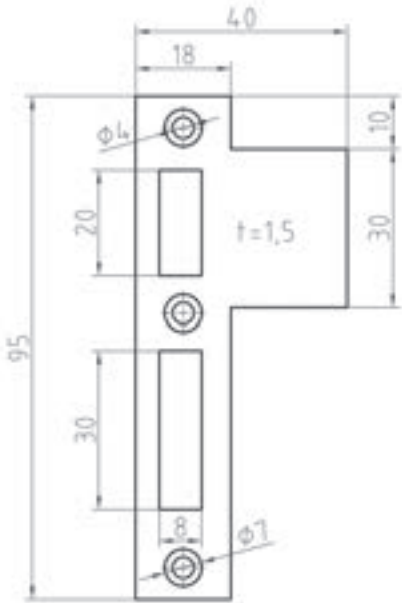
• Or: Indicate door thickness in the order



Art.code	Surface	Article description	Unit	Weight
207567.4	Bp	Knob / Knob handle set, for series 106	set	0,360
207567.6	Bpc	Knob / Knob handle set, for series 106	set	0,360
207567.9	Bmc	Knob / Knob handle set, for series 106	set	0,360

STRIKING PLATES FOR SERIES 106.. - STRIKING PLATE 95X40X1,5 MM

• Brass Ms 63

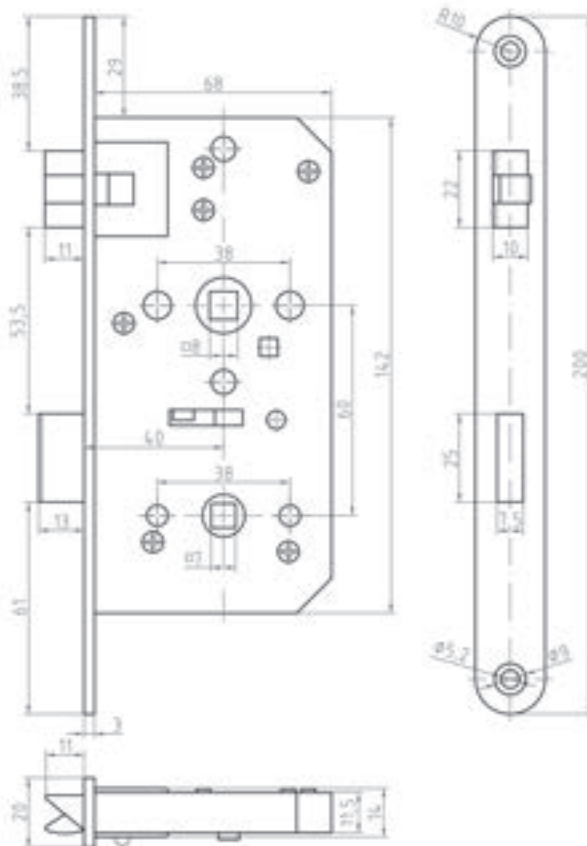


Art.code	Surface	Article description	Unit	Weight
226101.4	Bp	Striking plate, right, for series 106, WC, BB, PC	set	0,015
226101.6	Bpc	Striking plate, right, for series 106, WC, BB, PC	set	0,015
226101.9	Bmc	Striking plate, right, for series 106, WC, BB, PC	set	0,015
226102.4	Bp	Striking plate, left, for series 106, WC, BB, PC	set	0,015
226102.6	Bpc	Striking plate, left, for series 106, WC, BB, PC	set	0,015
226102.9	Bmc	Striking plate, left, for series 106, WC, BB, PC	set	0,015
226301.4	Bp	Striking plate, right, for series 106, Catch lock	set	0,015
226301.6	Bpc	Striking plate, right, for series 106, Catch lock	set	0,015
226301.9	Bmc	Striking plate, right, for series 106, Catch lock	set	0,015
226302.4	Bp	Striking plate, left, for series 106, Catch lock	set	0,015
226302.6	Bpc	Striking plate, left, for series 106, Catch lock	set	0,015
226302.9	Bmc	Striking plate, left, for series 106, Catch lock	set	0,015

MORTISE LOCK WC - MORTISE LOCK WC, SERIE 1040

Brass Ms 63

- Faceplate round R=10 mm
- Triple latch bolt
- 38 mm handle and roset horizontal fixing holes
- Backset 40 mm
- Distance 60 mm
- WC Olive 7 mm spindle

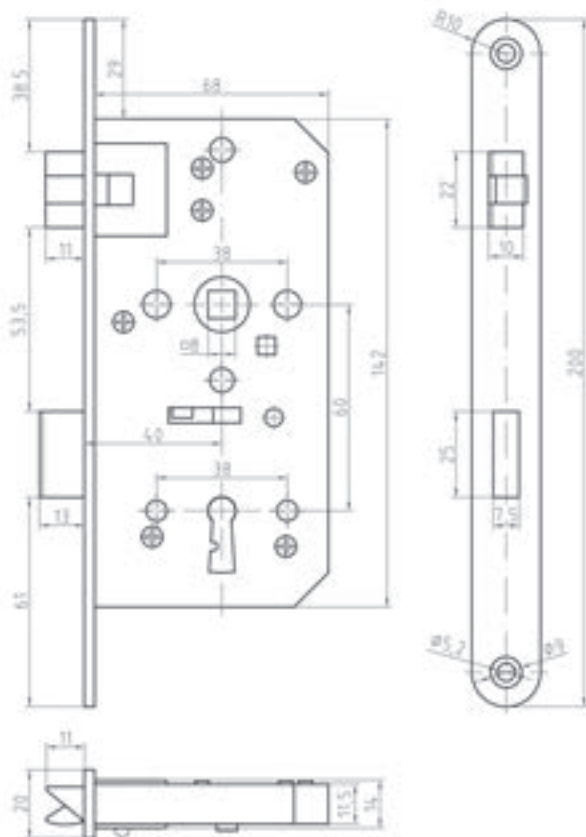


Art.code	Surface	Article description	Unit	Weight
104031.4	Bp	Mortise WC lock, right, 60/40/8 mm	pc.	0,500
104031.6	Bpc	Mortise WC lock, right, 60/40/8 mm	pc.	0,500
104031.9	Bmc	Mortise WC lock, right, 60/40/8 mm	pc.	0,500
104032.4	Bp	Mortise WC lock, left, 60/40/8 mm	pc.	0,500
104032.6	Bpc	Mortise WC lock, left, 60/40/8 mm	pc.	0,500
104032.9	Bmc	Mortise WC lock, left, 60/40/8 mm	pc.	0,500

MORTISE LOCK BB - MORTISE LOCK BB, SERIE 1041

Brass Ms 63

- Faceplate round R=10 mm
- Triple latch bolt
- 38 mm handle and roset horizontal fixing holes
- Backset 40 mm
- Distance 60 mm
- delivered with 2 keys



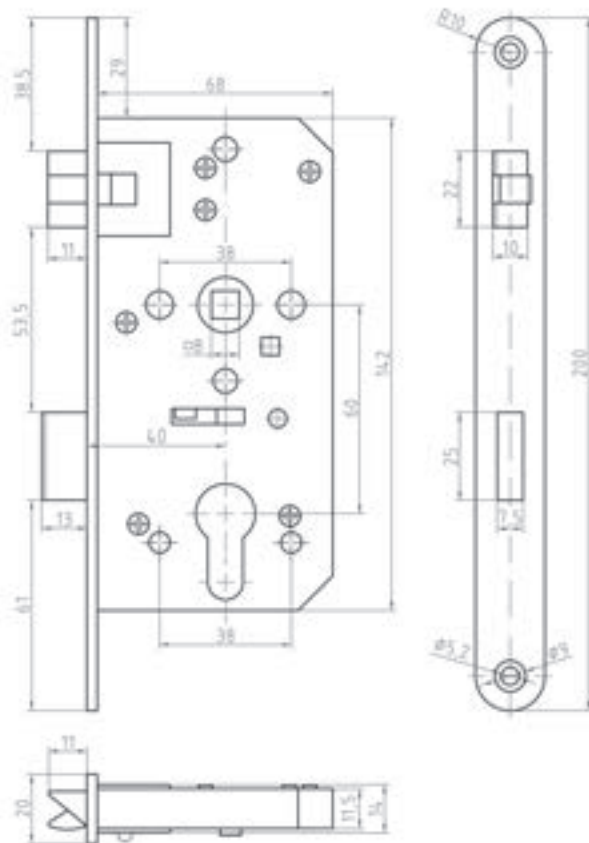
Art.code	Surface	Article description	Unit	Weight
104131.4	Bp	Mortise lock BB, right, 60/40/8 mm, 2 keys	pc.	0,520
104131.6	Bpc	Mortise lock BB, right, 60/40/8 mm, 2 keys	pc.	0,520
104131.9	Bmc	Mortise lock BB, right, 60/40/8 mm, 2 keys	pc.	0,520
104132.4	Bp	Mortise BB lock, left, 60/40/8 mm, 2 keys	pc.	0,520
104132.6	Bpc	Mortise BB lock, left, 60/40/8 mm, 2 keys	pc.	0,520
104132.9	Bmc	Mortise BB lock, left, 60/40/8 mm, 2 keys	pc.	0,520

MORTISE LOCK PC - MORTISE LOCK PC, SERIE 1042

Brass Ms 63



- Faceplate round R=10 mm
- Triple latch bolt
- 38 mm handle and roset horizontal fixing holes
- Backset 40 mm
- Distance 60 mm

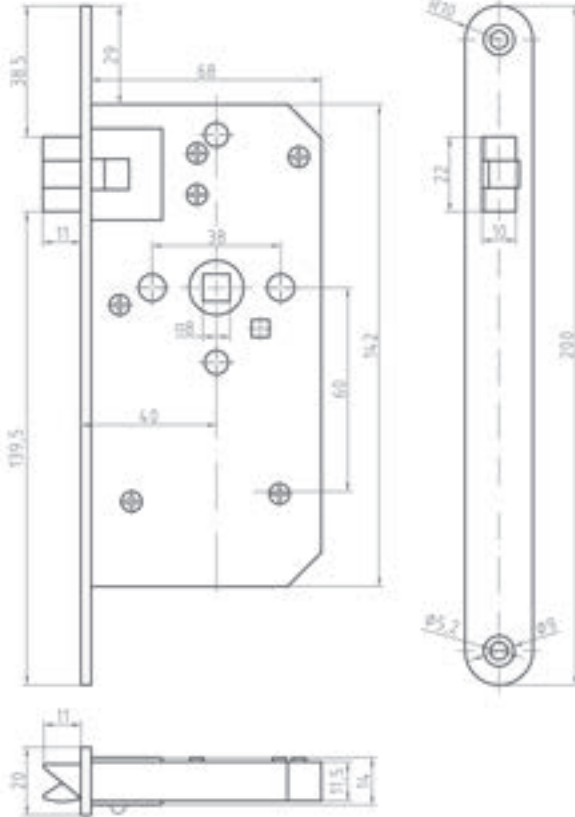


Art.code	Surface	Article description	Unit	Weight
104231.4	Bp	Mortise PC lock, right, 60/40/8 mm	pc.	0,480
104231.6	Bpc	Mortise PC lock, right, 60/40/8 mm	pc.	0,480
104231.9	Bmc	Mortise PC lock, right, 60/40/8 mm	pc.	0,480
104232.4	Bp	Mortise PC lock, left, 60/40/8 mm	pc.	0,480
104232.6	Bpc	Mortise PC lock, left, 60/40/8 mm	pc.	0,480
104232.9	Bmc	Mortise PC lock, left, 60/40/8 mm	pc.	0,480

MORTISE CATCHLOCK - MORTISE CATCH LOCK, SERIE 1043

Brass Ms 63

- Faceplate round R=10 mm
- Triple latch bolt
- 38 mm handle roset horizontal fixing holes
- Backset 40 mm



Art.code	Surface	Article description	Unit	Weight
104331.4	Bp	Mortise catch lock, right, 40/8 mm	pc.	0,430
104331.6	Bpc	Mortise catch lock, right, 40/8 mm	pc.	0,430
104331.9	Bmc	Mortise catch lock, right, 40/8 mm	pc.	0,430
104332.4	Bp	Mortise catch lock, left, 40/8 mm	pc.	0,430
104332.6	Bpc	Mortise catch lock, left, 40/8 mm	pc.	0,430
104332.9	Bmc	Mortise catch lock, left, 40/8 mm	pc.	0,430

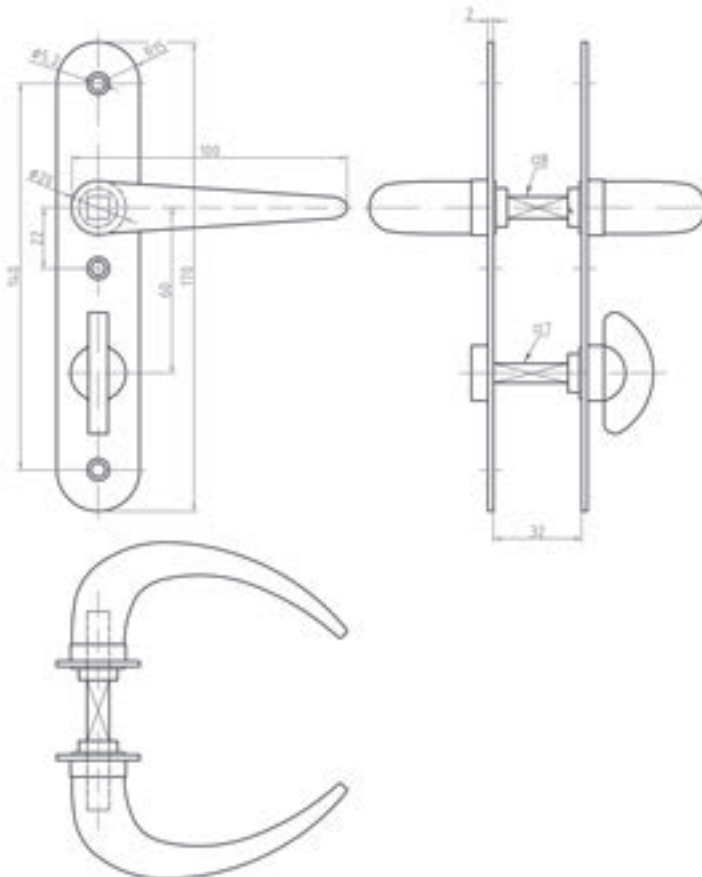
1 LOCKS & ATTACHMENTS BRASS

MORTISE LOCKS BRASS BACKSET 40 MM

DOOR HANDLE SETS FOR SERIES 104.. - HANDLE SET FOR 1040, WC

170x30x2 mm

- Application for door thickness 22-50 mm
- Please indicate door thickness
- Door handle with spindle 8 mm
- WC Olive 7 mm
- Distance 60 mm



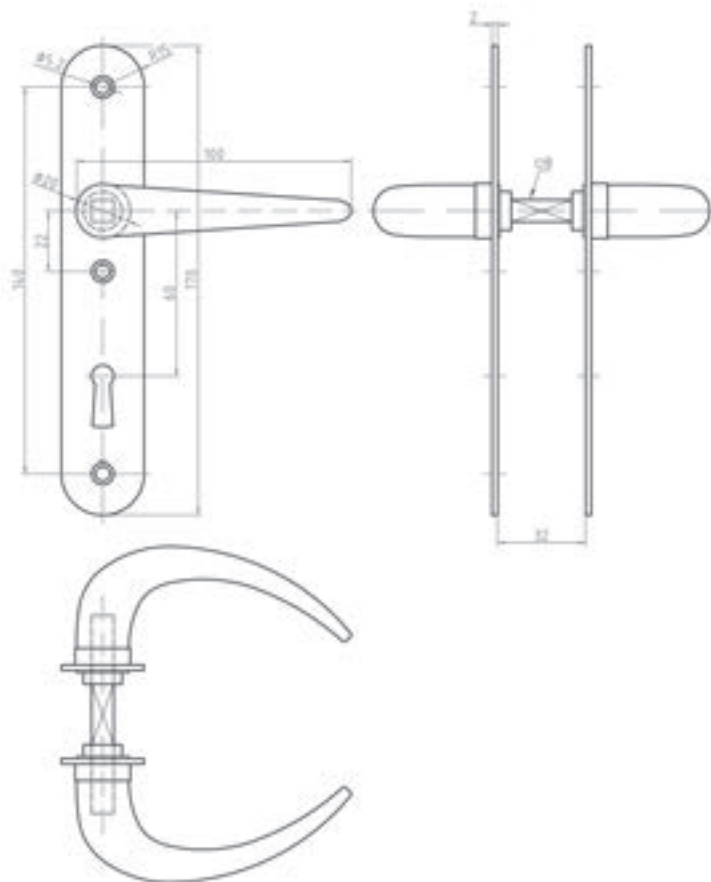
Art.code	Surface	Article description	Unit	Weight
208068.4	Bp	Door handle set, WC, for Series 1040	set	0,610
208068.6	Bpc	Door handle set, WC, for Series 1040	set	0,610
208068.9	Bmc	Door handle set, WC, for Series 1040	set	0,610

DOOR HANDLE SETS FOR SERIES 104.. - HANDLE SET FOR 1041, BB

170x30x2 mm

- Application for door thickness 22-50 mm
- Please indicate door thickness

- Door handle with spindle 8 mm
- Distance 60 mm



Art.code	Surface	Article description	Unit	Weight
208168.4	Bp	Door handle set, BB, for Series 1041	set	0,400
208168.6	Bpc	Door handle set, BB, for Series 1041	set	0,400
208168.9	Bmc	Door handle set, BB, for Series 1041	set	0,400

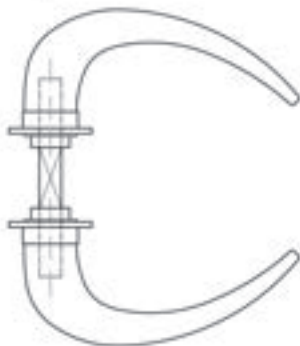
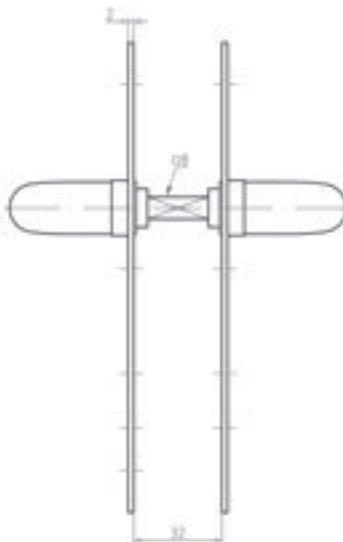
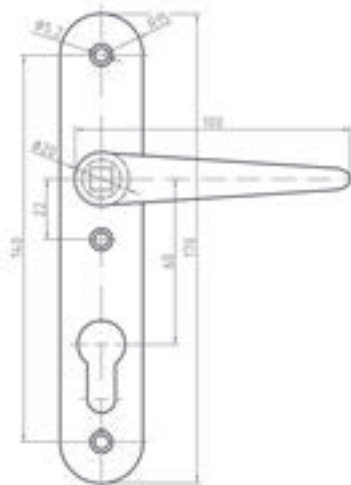
1 LOCKS & ATTACHMENTS BRASS

MORTISE LOCKS BRASS BACKSET 40 MM

DOOR HANDLE SETS FOR SERIES 104.. - HANDLE SET FOR 1042, PC

170x30x2 mm

- Application for door thickness 22-50 mm
- Please indicate door thickness
- Door handle with spindle 8 mm
- Distance 60 mm

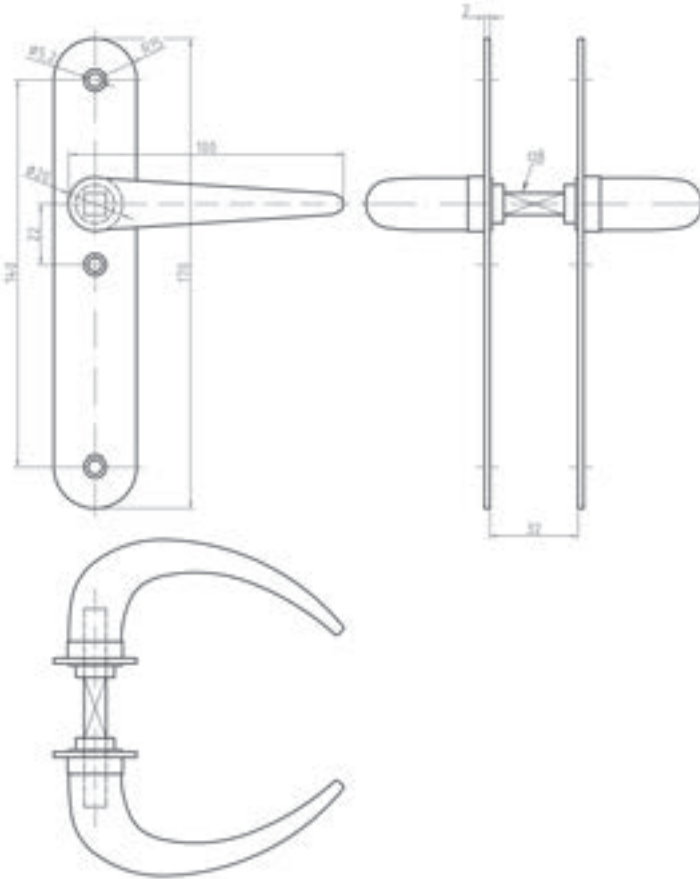


Art.code	Surface	Article description	Unit	Weight
208268.4	Bp	Door handle set, PC, for Series 1042	set	0,400
208268.6	Bpc	Door handle set, PC, for Series 1042	set	0,400
208268.9	Bmc	Door handle set, PC, for Series 1042	set	0,400

DOOR HANDLE SETS FOR SERIES 104.. - HANDLE SET FOR 1043, CATCH

170x30x2 mm

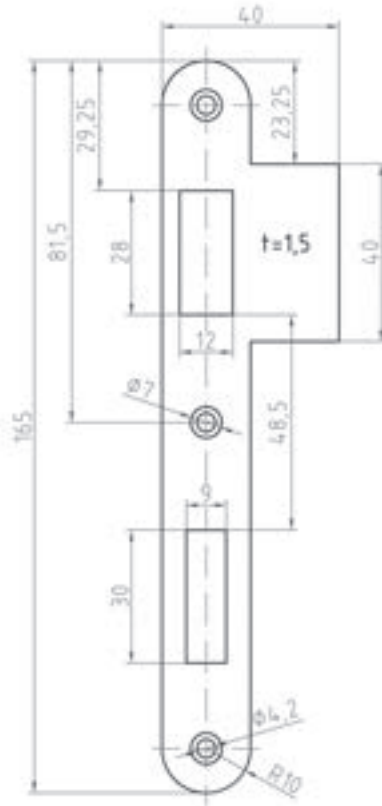
- Application for door thickness 22-50 mm
- Please indicate door thickness
- Door handle with spindle 8 mm



Art.code	Surface	Article description	Unit	Weight
208368.4	Bp	Door handle set, Catch, for Series 1043	set	0,410
208368.6	Bpc	Door handle set, Catch, for Series 1043	set	0,410
208368.9	Bmc	Door handle set, Catch, for Series 1043	set	0,410

STRIKING PLATES FOR SERIES 104.. - STRIKING PLATE 165X20X1,5 MM

• Brass Ms 63

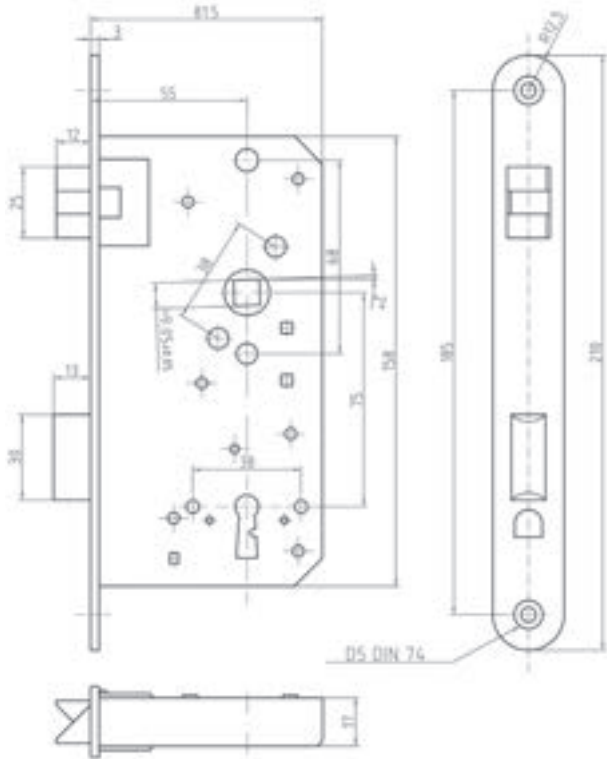


Art.code	Surface	Article description	Unit	Weight
224031.4	Bp	Striking plate, right, for series 104, WC, BB, PC	set	0,045
224031.6	Bpc	Striking plate, right, for series 104, WC, BB, PC	set	0,045
224031.9	Bmc	Striking plate, right, for series 104, WC, BB, PC	set	0,045
224032.4	Bp	Striking plate, left, for series 104, WC, BB, PC	set	0,045
224032.6	Bpc	Striking plate, left for series 104, WC, BB, PC	set	0,045
224032.9	Bmc	Striking plate, left, for series 104, WC, BB, PC	set	0,045
224331.4	Bp	Striking plate, right, for series 104, Catch lock	set	0,045
224331.6	Bpc	Striking plate, right, for series 104, Catch lock	set	0,045
224331.9	Bmc	Striking plate, right, for series 104, Catch lock	set	0,045
224332.4	Bp	Striking plate, left, for series 104, Catch lock	set	0,045
224332.6	Bpc	Striking plate, left, for series 104, Catch lock	set	0,045
224332.9	Bmc	Striking plate, left, for series 104, Catch lock	set	0,045

MORTISE LOCKS DIN 81301 KEY HOLE - SOLID OR TRIPLE LATCH

Mortise locks with 9 mm spindle hole, 55mm backset, distance 75 mm

- Delivered with 2 keys no. 210013
- With PC change lever on request
- Straight faceplate or Radius R=10 mm on request
- 8 mm nut on request
- Key alike or masterkey system on request
- Recommended door handles article group 17, striking plates group 22 and escutcheons group 18



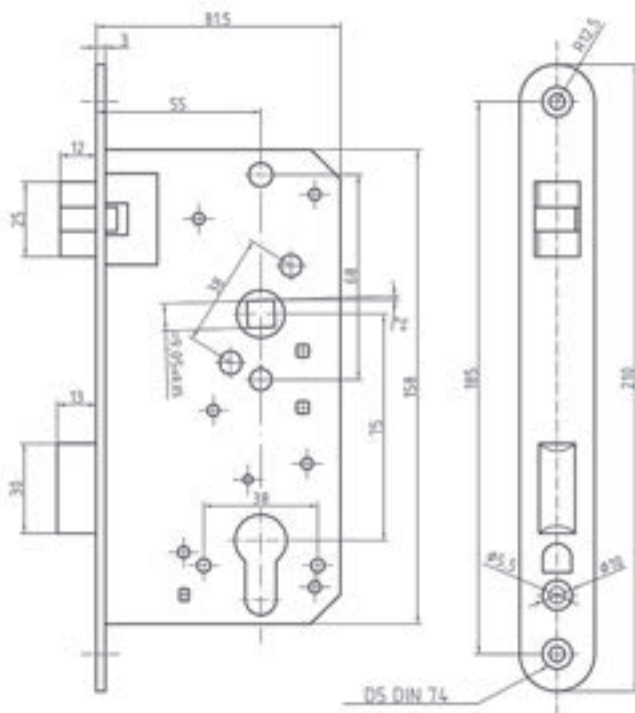
Art.code	Surface	Article description	Unit	Weight
100131.4	Bp	Mortise key lock, DIN 81301 A, right, 55/9/75 mm, solid latch	pc.	0,830
100131.6	Bpc	Mortise key lock, DIN 81301 A, right, 55/9/75 mm, solid latch	pc.	0,830
100131.9	Bmc	Mortise key lock, DIN 81301 A, right, 55/9/75 mm, solid latch	pc.	0,830
100132.4	Bp	Mortise key lock, DIN 81301 A, left, 55/9/75 mm, solid latch	pc.	0,830
100132.6	Bpc	Mortise key lock, DIN 81301 A, left, 55/9/75 mm, solid latch	pc.	0,830
100132.9	Bmc	Mortise key lock, DIN 81301 A, left, 55/9/75 mm, solid latch	pc.	0,830
101131.4	Bp	Mortise key lock, DIN 81301 AK, right, 55/9/75 mm, triple latch	pc.	0,830
101131.6	Bpc	Mortise key lock, DIN 81301 AK, right, 55/9/75 mm, triple latch	pc.	0,830
101131.9	Bmc	Mortise key lock, DIN 81301 AK, right, 55/9/75 mm, triple latch	pc.	0,830
101132.4	Bp	Mortise key lock, DIN 81301 AK, left, 55/9/75 mm, triple latch	pc.	0,830
101132.6	Bpc	Mortise key lock, DIN 81301 AK, left, 55/9/75 mm, triple latch	pc.	0,830
101132.9	Bmc	Mortise key lock, DIN 81301 AK, left, 55/9/75 mm, triple latch	pc.	0,830
210013.1	Brp	Extra key, length 85 mm	pc.	0,049
210013.4	Bp	Extra key, length 85 mm	pc.	0,049
210013.6	Bpc	Extra key, length 85 mm	pc.	0,049
210013.9	Bmc	Extra key, length 85 mm	pc.	0,049

MORTISE LOCKS DIN 81301 PROFILE CYLINDER HOLE - SOLID OR TRIPLE LATCH

Mortise lock with 9 mm spindle hole, 55mm backset, distance 75 mm



- With PC change lever on request
- Straight faceplate or Radius R=10 mm on request
- Horizontal fixing holes for rosettes 38 mm distance
- 8 mm nut on request
- Recommended door handles article group 17, striking plates group 22 and escutcheons group 18
- Profile cylinders article group 41

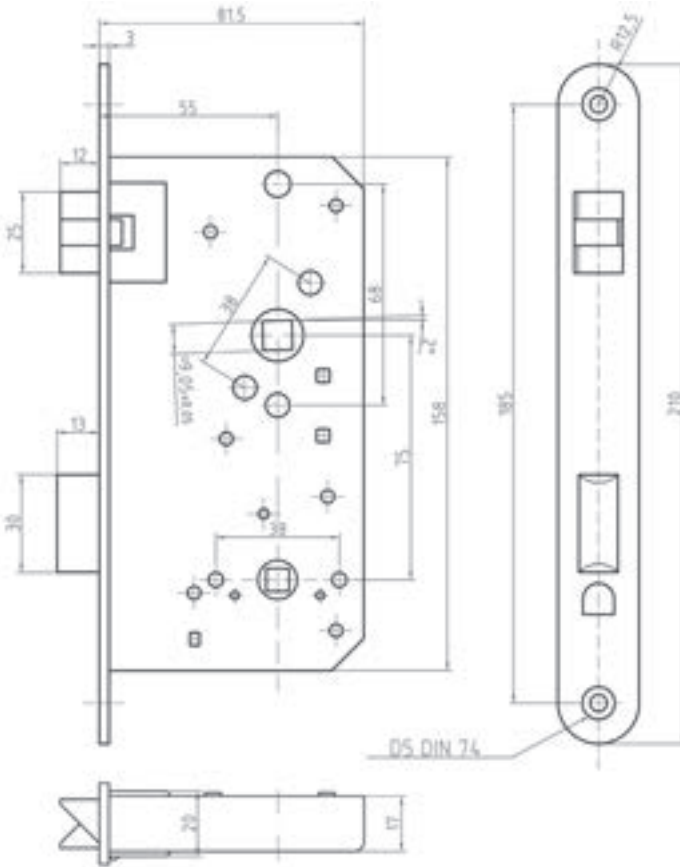


Art.code	Surface	Article description	Unit	Weight
100231.4	Bp	Mortise PC lock, DIN 81301 B, right, 55/9/75 mm, solid latch	pc.	0,730
100231.6	Bpc	Mortise PC lock, DIN 81301 B, right, 55/9/75 mm, solid latch	pc.	0,730
100231.9	Bmc	Mortise PC lock, DIN 81301 B, right, 55/9/75 mm, solid latch	pc.	0,730
100232.4	Bp	Mortise PC lock, DIN 81301 B, left, 55/9/75 mm, solid latch	pc.	0,730
100232.6	Bpc	Mortise PC lock, DIN 81301 B, left, 55/9/75 mm, solid latch	pc.	0,730
100232.9	Bmc	Mortise PC lock, DIN 81301 B, left, 55/9/75 mm, solid latch	pc.	0,730
101231.4	Bp	Mortise PC lock, DIN 81301 B, right, 55/9/75 mm, triple latch	pc.	0,695
101231.6	Bpc	Mortise PC lock, DIN 81301 B, right, 55/9/75 mm, triple latch	pc.	0,695
101231.9	Bmc	Mortise PC lock, DIN 81301 B, right, 55/9/75 mm, triple latch	pc.	0,695
101232.4	Bp	Mortise PC lock, DIN 81301 B, left, 55/9/75 mm, triple latch	pc.	0,695
101232.6	Bpc	Mortise PC lock, DIN 81301 B, left, 55/9/75 mm, triple latch	pc.	0,695
101232.9	Bmc	Mortise PC lock, DIN 81301 B, left, 55/9/75 mm, triple latch	pc.	0,695

MORTISE LOCKS DIN 81303 LAVATORY VERSION - SOLID OR TRIPLE LATCH

Mortise lock with 9 mm spindle hole, 55mm backset, distance 75 mm

- Straight faceplate or Radius R=10 mm on request
- Horizontal fixing holes for rosettes 38 mm distance
- 8 mm nut on request
- Recommended door handles article group 17, striking plates group 22 and escutcheons group 18



Art.code	Surface	Article description	Unit	Weight
100031.4	Bp	Mortise WC lock, DIN 81303 A, right, 55/9/75 mm, solid latch	pc.	0,690
100031.6	Bpc	Mortise WC lock, DIN 81303 A, right, 55/9/75 mm, solid latch	pc.	0,690
100031.9	Bmc	Mortise WC lock, DIN 81303 A, right, 55/9/75 mm, solid latch	pc.	0,690
100032.4	Bp	Mortise WC lock, DIN 81303 A, left, 55/9/75 mm, solid latch	pc.	0,690
100032.6	Bpc	Mortise WC lock, DIN 81303 A, left, 55/9/75 mm, solid latch	pc.	0,690
100032.9	Bmc	Mortise WC lock, DIN 81303 A, left, 55/9/75 mm, solid latch	pc.	0,690
101031.4	Bp	Mortise WC lock, DIN 81303 AK, right, 55/9/75 mm, triple latch	pc.	0,710
101031.6	Bpc	Mortise WC lock, DIN 81303 AK, right, 55/9/75 mm, triple latch	pc.	0,710
101031.9	Bmc	Mortise WC lock, DIN 81303 AK, right, 55/9/75 mm, triple latch	pc.	0,710
101032.4	Bp	Mortise WC lock, DIN 81303 AK, left, 55/9/75 mm, triple latch	pc.	0,710
101032.6	Bpc	Mortise WC lock, DIN 81303 AK, left, 55/9/75 mm, triple latch	pc.	0,710
101032.9	Bmc	Mortise WC lock, DIN 81303 AK, left, 55/9/75 mm, triple latch	pc.	0,710

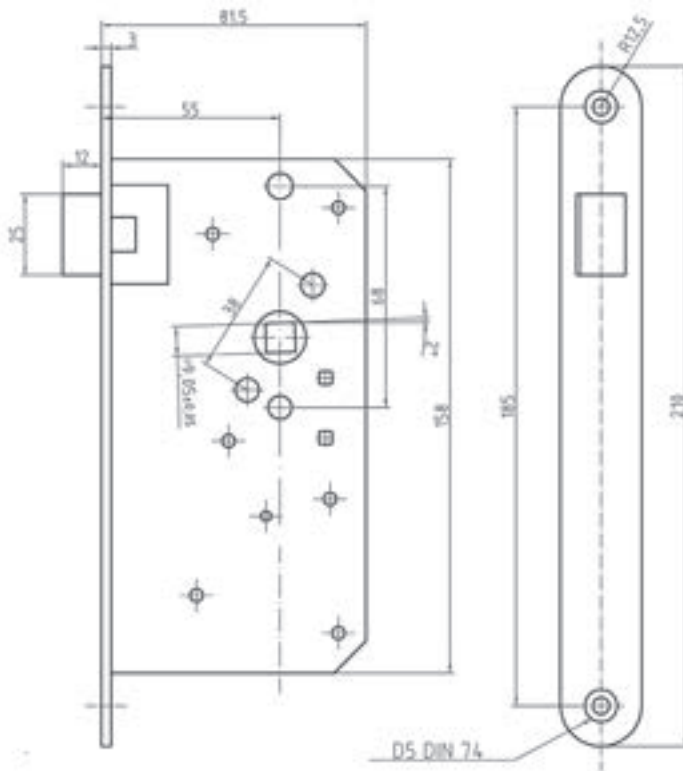
1 LOCKS & ATTACHMENTS BRASS

MORTISE LOCKS BRASS BACKSET 55 MM

MORTISE CATCH LOCKS - MORTISE CATCH LOCKS WITH 9 MM SPINDLE HOLE

Mortise locks with solid or triple latch

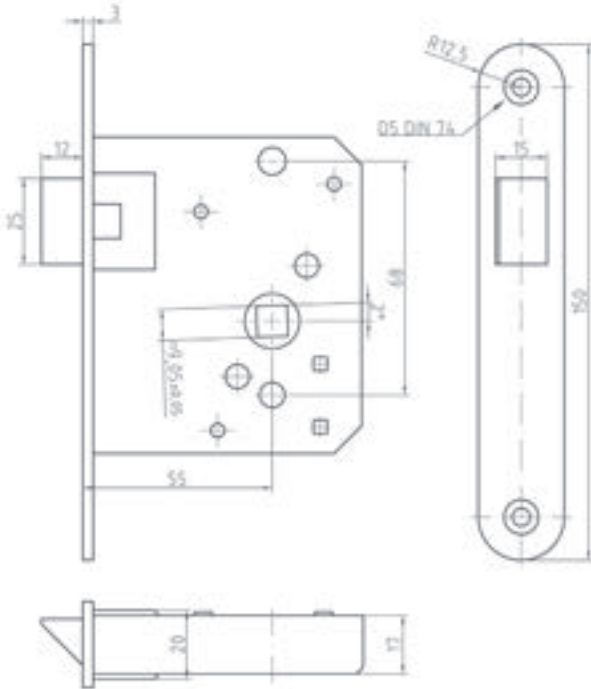
- Straight faceplate or Radius R=10 mm on request
- Latch 16 mm length on request
- Nut 8 mm on request
- Recommended door handles article group 17, striking plates group 22 and escutcheons group 18



Art.code	Surface	Article description	Unit	Weight
100631.4	Bp	Mortise catch lock right, solid latch	pc.	0,590
100631.6	Bpc	Mortise catch lock right, solid latch	pc.	0,590
100631.9	Bmc	Mortise catch lock right, solid latch	pc.	0,590
100632.4	Bp	Mortise catch lock left, solid latch	pc.	0,590
100632.6	Bpc	Mortise catch lock left, solid latch	pc.	0,590
100632.9	Bmc	Mortise catch lock left, solid latch	pc.	0,590
101631.4	Bp	Mortise catch lock right, triple latch	pc.	0,580
101631.6	Bpc	Mortise catch lock right, triple latch	pc.	0,580
101631.9	Bmc	Mortise catch lock right, triple latch	pc.	0,580
101632.4	Bp	Mortise catch lock left, triple latch	pc.	0,580
101632.6	Bpc	Mortise catch lock left, triple latch	pc.	0,580
101632.9	Bmc	Mortise catch lock left, triple latch	pc.	0,580

MORTISE CATCH LOCKS - MORTISE CATCH LOCK 55 MM BACKSET

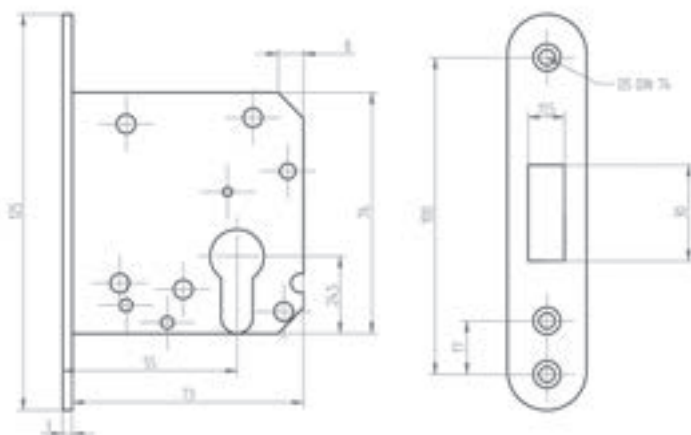
• Also available in stainless steel, see article N-1003...



Art.code	Surface	Article description	Unit	Weight
100331.4	Bp	Mortise catch lock with solid latch, right	pc.	0,435
100331.6	Bpc	Mortise catch lock with solid latch, right	pc.	0,435
100331.9	Bmc	Mortise catch lock with solid latch, right	pc.	0,435
100332.4	Bp	Mortise catch lock with solid latch, left	pc.	0,435
100332.6	Bpc	Mortise catch lock with solid latch, left	pc.	0,435
100332.9	Bmc	Mortise catch lock with solid latch, left	pc.	0,435
101331.4	Bp	Mortise catch lock with triple latch, right	pc.	0,435
101331.6	Bpc	Mortise catch lock with triple latch, right	pc.	0,435
101331.9	Bmc	Mortise catch lock with triple latch, right	pc.	0,435
101332.4	Bp	Mortise catch lock with triple latch, left	pc.	0,435
101332.6	Bpc	Mortise catch lock with triple latch, left	pc.	0,435
101332.9	Bmc	Mortise catch lock with triple latch, left	pc.	0,435

MORTISE DEAD LOCKS - MORTISE DEAD LOCK DIN 81302 B

• Also available in stainless steel, see article N-1005...

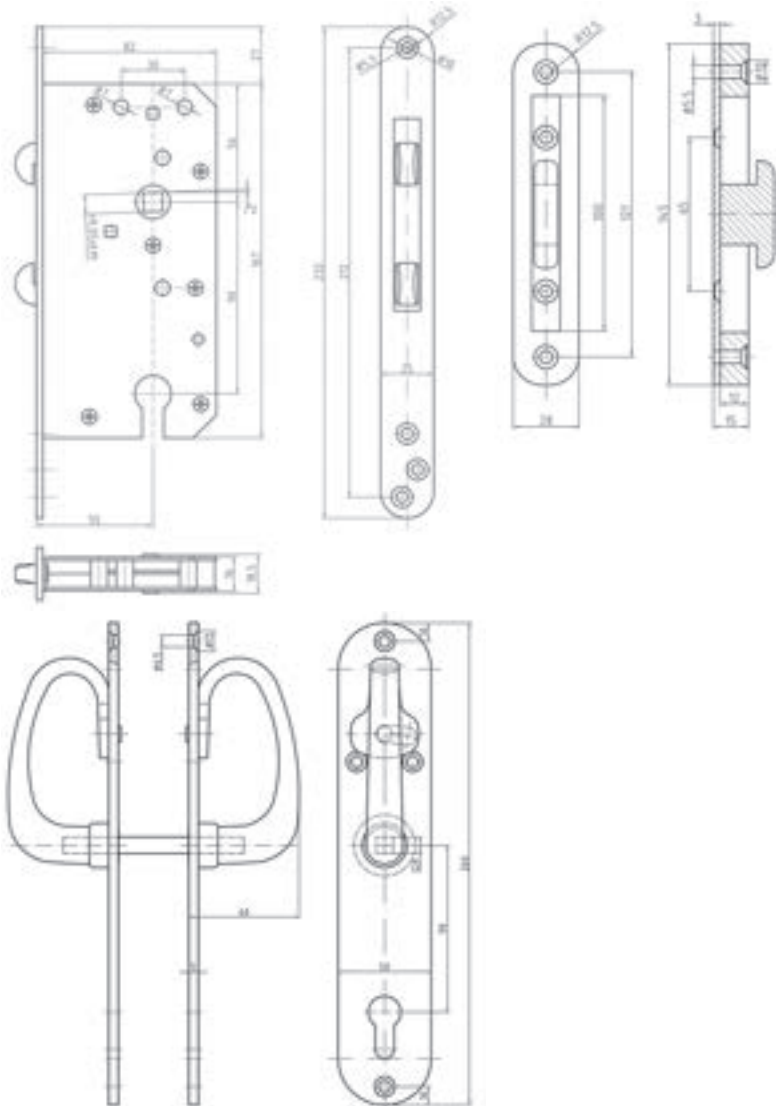


Art.code	Surface	Article description	Unit	Weight
100530.4	Bp	Mortise dead lock, DIN 81302 B	pc.	0,320
100530.6	Bpc	Mortise dead lock, DIN 81302 B	pc.	0,320
100530.9	Bmc	Mortise dead lock, DIN 81302 B	pc.	0,320

SLIDING DOOR MORTISE LOCKS PROFILE CYLINDER HOLE - SLIDING DOOR MORTISE LOCKS DISTANCE 90 MM

• Distance 90 mm

• 55 mm backset

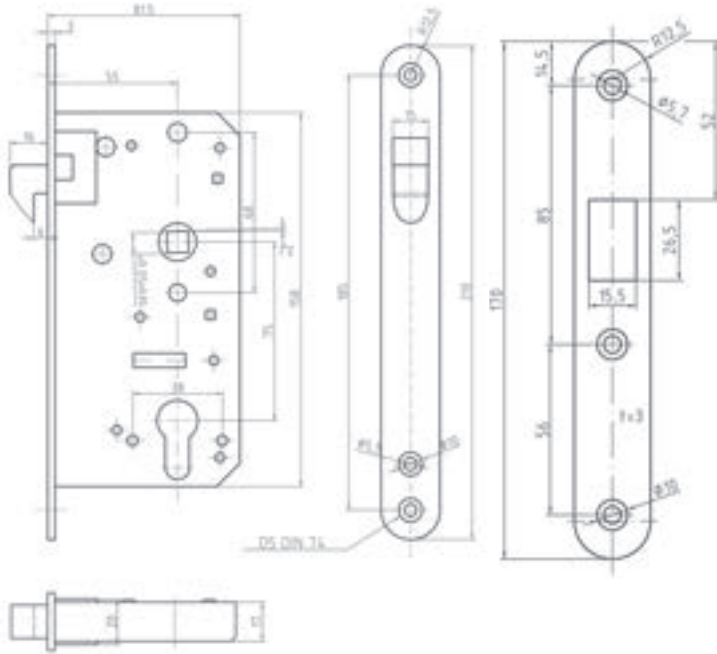


Art.code	Surface	Article description	Unit	Weight
100930.4	Bp	Sliding door lock with PC hole 55/9 mm	pc.	0,890
100930.6	Bpc	Sliding door lock with PC hole 55/9 mm	pc.	0,890
100930.9	Bmc	Sliding door lock with PC hole 55/9 mm	pc.	0,890
200969.4	Bp	Door handle set with PC hole for sliding door lock 1009	pc.	2,450
200969.6	Bpc	Door handle set with PC hole for sliding door lock 1009	pc.	2,450
200969.9	Bmc	Door handle set with PC hole for sliding door lock 1009	pc.	2,450
220830.4	Bp	Closing block for sliding door lock 1009	pc.	0,410
220830.6	Bpc	Closing block for sliding door lock 1009	pc.	0,410
220830.9	Bmc	Closing block for sliding door lock 1009	pc.	0,410

SLIDING DOOR MORTISE LOCKS PROFILE CYLINDER HOLE - SLIDING DOOR MORTISE LOCKS DISTANCE 75 MM

• Backset 55 mm

• Recommended handles article group 17

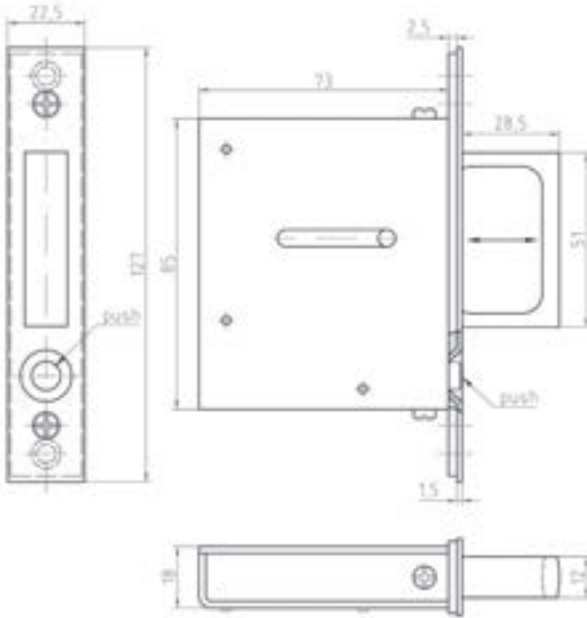


Art.code	Surface	Article description	Unit	Weight
105630.4	Bp	Sliding door lock with PC hole 55/9 mm	pc.	0,780
105630.6	Bpc	Sliding door lock with PC hole 55/9 mm	pc.	0,780
105630.9	Bmc	Sliding door lock with PC hole 55/9 mm	pc.	0,780
225603.4	Bp	Striking plate for sliding door lock 1056	pc.	0,029
225603.6	Bpc	Striking plate for sliding door lock 1056	pc.	0,029
225603.9	Bmc	Striking plate for sliding door lock 1056	pc.	0,029

SLIDING DOOR MORTISE LOCKS PROFILE CYLINDER HOLE - PUSH BUTTON SLIDING DOOR LOCK

• Housing steel and zinc coated

• Faceplate brass polished fixed with 2 brass screws

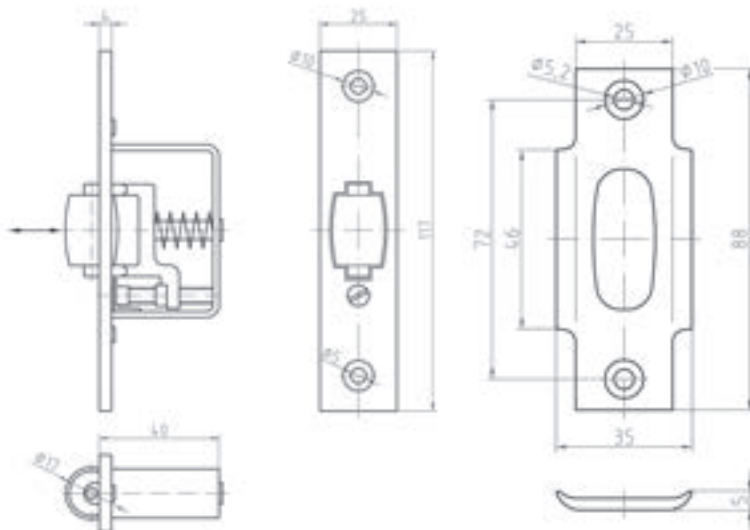


Art.code	Surface	Article description	Unit	Weight
104500.4	Bp	Push button sliding door lock	pc.	0,580
104500.6	Bpc	Push button sliding door lock	pc.	0,580
104500.9	Bmc	Push button sliding door lock	pc.	0,580

MORTISE DOOR CATCH - MORTISE DOOR CATCH BRASS 117X25 MM

• Striking plate to be ordered separately

• Surface: satin mattnickle on request

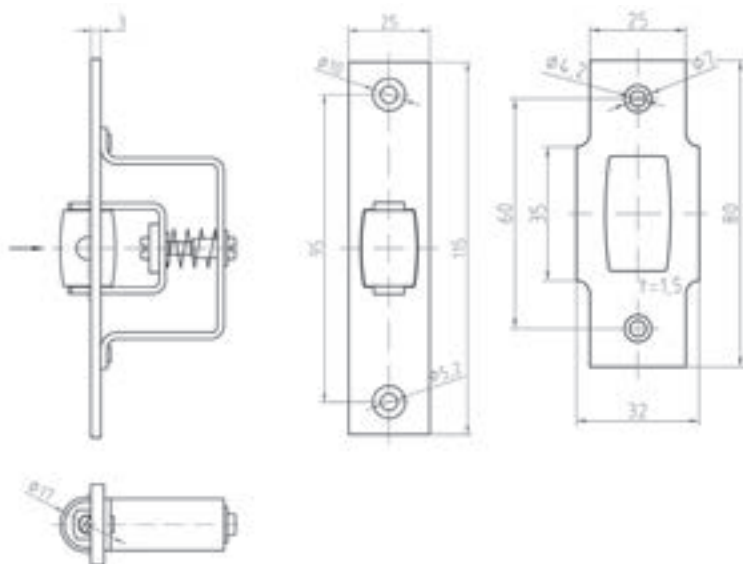


Art.code	Surface	Article description	Unit	Weight
103000.4	Bp	Mortise door catch 117x25 mm, adjustable	pc.	0,185
103000.6	Bpc	Mortise door catch 117x25 mm, adjustable	pc.	0,185
103000.9	Bmc	Mortise door catch 117x25 mm, adjustable	pc.	0,185
103300.4	Bp	Striking plate 80x25 mm	pc.	0,050
103300.6	Bpc	Striking plate 80x25 mm	pc.	0,050
103300.9	Bmc	Striking plate 80x25 mm	pc.	0,050

MORTISE DOOR CATCH - MORTISE DOOR CATCH 115X25 MM

• Striking plate to be ordered separately

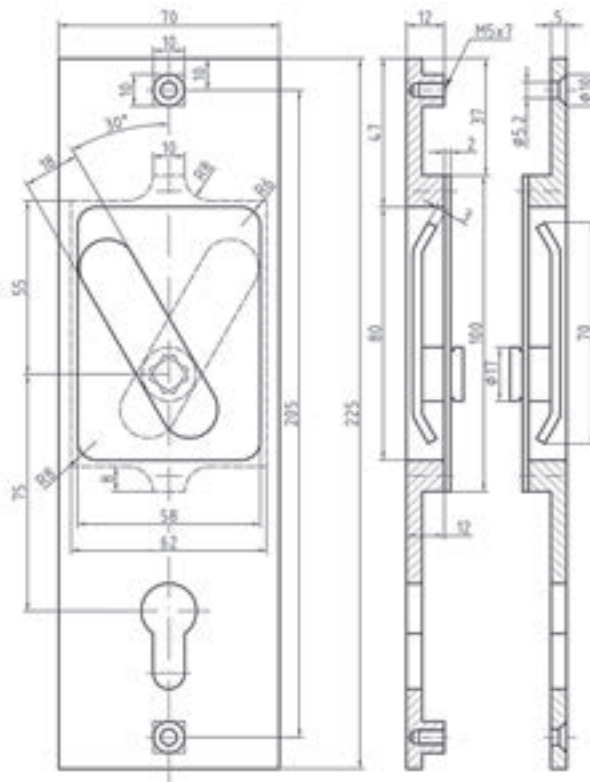
• Stainless steel polished on request



Art.code	Surface	Article description	Unit	Weight
N-103000.0	S/S brushed	Mortise door catch 115x25 mm, adjustable	pc.	0,170
N-103300.0	S/S brushed	Striking plate 88x25 mm	pc.	0,050

MORTISE DOOR CATCH - SLIDING DOOR LOCK ESCUTCHEON PLATE SET

• Profile cylinders article group 41

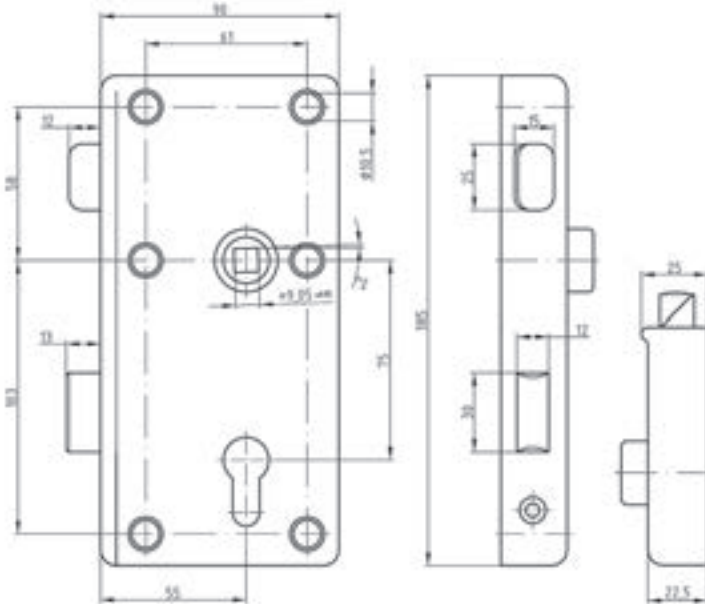


Art.code	Surface	Article description	Unit	Weight
225610.4	Bp	Sliding door lock escutcheon plate set with PC hole for 105630	pc.	1,280
225610.6	Bpc	Sliding door lock escutcheon plate set with PC hole for 105630	pc.	1,280
225610.9	Bmc	Sliding door lock escutcheon plate set with PC hole for 105630	pc.	1,280

RIM LOCKS DIN 81311 C PROFILE CYLINDER HOLE - 1102 RIM LOCKS

Rim locks with 9 mm spindle hole, 55mm backset, distance 75 mm, profile cylinder hole

- Available versions: Right or left / In- or outwards
- Door directions please see also page 9
- Recommended door handles article group 17, striking box group 22 and escutcheons group 18



110202.4

Art.code	Surface	Article description	Unit	Weight
110201.4	Bp	Rim lock, Ri/O, 55/9 mm, DIN 81311 C, PC hole	pc.	1,560
110201.6	Bpc	Rim lock, Ri/O, 55/9 mm, DIN 81311 C, PC hole	pc.	1,560
110201.9	Bmc	Rim lock, Ri/O, 55/9 mm, DIN 81311 C, PC hole	pc.	1,560
110202.4	Bp	Rim lock, Le/O, 55/9 mm, DIN 81311 C, PC hole	pc.	1,560
110202.6	Bpc	Rim lock, Le/O, 55/9 mm, DIN 81311 C, PC hole	pc.	1,560
110202.9	Bmc	Rim lock, Le/O, 55/9 mm, DIN 81311 C, PC hole	pc.	1,560

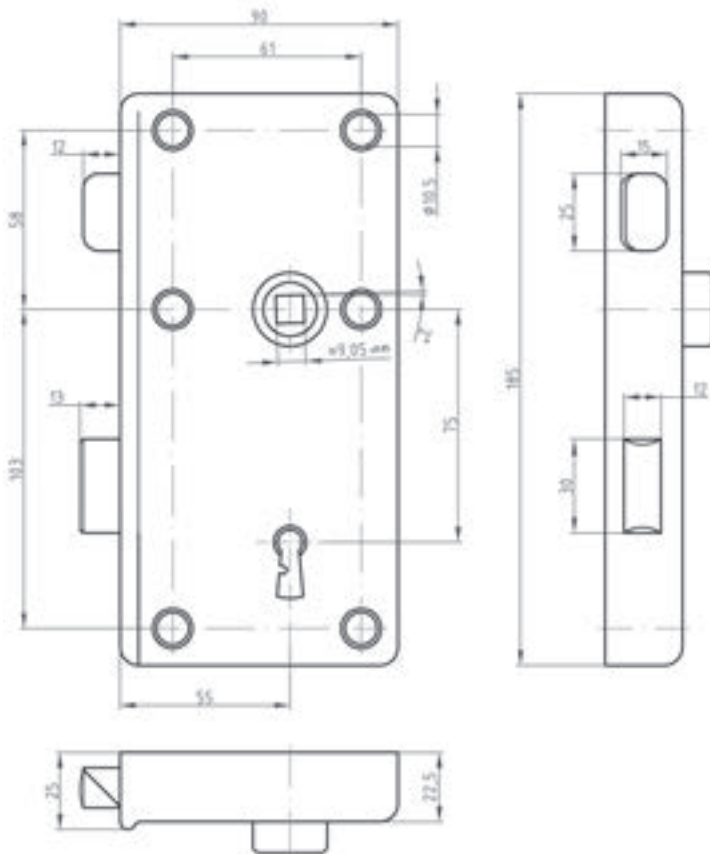
RIM LOCKS DIN 81311 C KEY HOLE - 1101 RIM LOCKS

Rim locks with 9 mm spindle hole, 55mm backset, distance 75 mm, profile cylinder hole

- Available versions: Right or left / In- or outwards
- Door directions please see also page 9
- Delivered with 2 keys
- Key alike or Masterkey system on request
- Recommended door handles article group 17, striking box group 22 and escutcheons group 18



110102.4

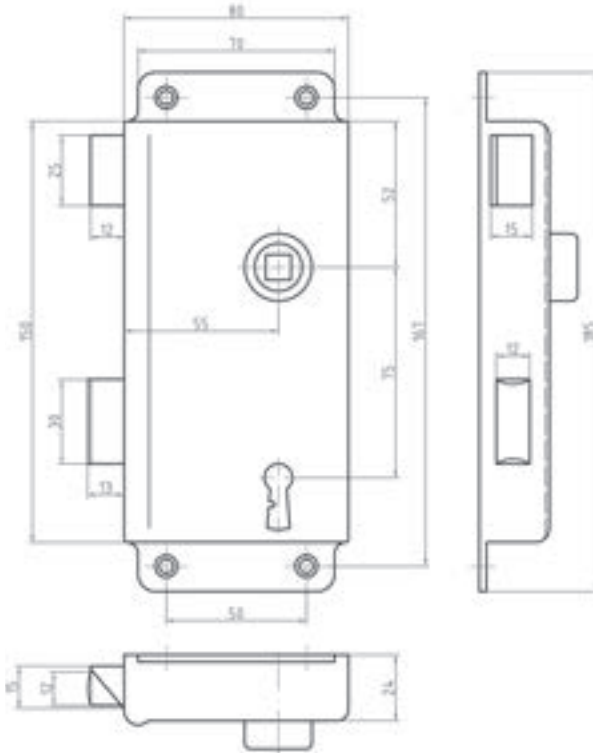


Art.code	Surface	Article description	Unit	Weight
110101.4	Bp	Rim lock, Ri/O, 55/9 mm, DIN 81311 D, key hole	pc.	1,560
110101.6	Bpc	Rim lock, Ri/O, 55/9 mm, DIN 81311 D, key hole	pc.	1,560
110101.9	Bmc	Rim lock, Ri/O, 55/9 mm, DIN 81311 D, key hole	pc.	1,560
110102.4	Bp	Rim lock, Le/O, 55/9 mm, DIN 81311 D, key hole	pc.	1,560
110102.6	Bpc	Rim lock, Le/O, 55/9 mm, DIN 81311 D, key hole	pc.	1,560
110102.9	Bmc	Rim lock, Le/O, 55/9 mm, DIN 81311 D, key hole	pc.	1,560
210012.1	Brp	Extra key, length 110 mm	pc.	0,060
210012.4	Bp	Extra key, length 110 mm	pc.	0,060
210012.6	Bpc	Extra key, length 110 mm	pc.	0,060
210012.9	Bmc	Extra key, length 110 mm	pc.	0,060

RIM LOCKS WITH FLANGE - 1140-1142 RIM LOCKS WITH FLANGE

Rim locks with 9 mm spindle hole, 55mm backset, distance 75 mm

- Available versions: Right or left / In- or outwards
- Door directions please see also page 9
- Keyhole version delivered with 2 keys
- Also with horizontal fixing holes 38 mm for rosettes
- Recommended door handles article group 17, striking box group 22 and escutcheons group 18

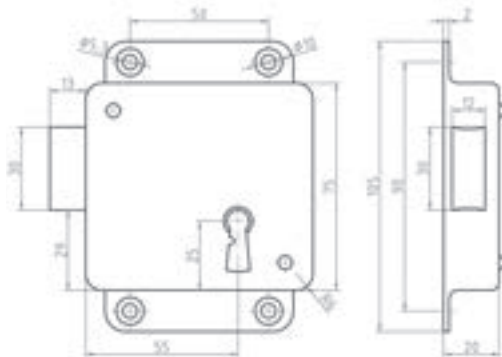


Art.code	Surface	Article description	Unit	Weight
114001.4	Bp	Rim lock DIN 81309, WC, Ri/O, 55/9 mm	pc.	1,110
114001.6	Bpc	Rim lock DIN 81309, WC, Ri/O, 55/9 mm	pc.	1,110
114001.9	Bmc	Rim lock DIN 81309, WC, Ri/O, 55/9 mm	pc.	1,110
114002.4	Bp	Rim lock DIN 81309, WC, Le/O, 55/9 mm	pc.	1,110
114002.6	Bpc	Rim lock DIN 81309, WC, Le/O, 55/9 mm	pc.	1,110
114002.9	Bmc	Rim lock DIN 81309, WC, Le/O, 55/9 mm	pc.	1,110
114101.4	Bp	Rim lock DIN 81307 A, Ri/O, 55/9 mm, key hole	pc.	1,150
114101.6	Bpc	Rim lock DIN 81307 A, Ri/O, 55/9 mm, key hole	pc.	1,150
114101.9	Bmc	Rim lock DIN 81307 A, Ri/O, 55/9 mm, key hole	pc.	1,150
114102.4	Bp	Rim lock DIN 81307 A, Le/O, 55/9 mm, key hole	pc.	1,150
114102.6	Bpc	Rim lock DIN 81307 A, Le/O, 55/9 mm, key hole	pc.	1,150
114102.9	Bmc	Rim lock DIN 81307 A, Le/O, 55/9 mm, key hole	pc.	1,150
114201.4	Bp	Rim lock DIN 81307 B, Ri/O, 55/9 mm, PC hole	pc.	1,000
114201.6	Bpc	Rim lock DIN 81307 B, Ri/O, 55/9 mm, PC hole	pc.	1,000
114201.9	Bmc	Rim lock DIN 81307 B, Ri/O, 55/9 mm, PC hole	pc.	1,000
114202.4	Bp	Rim lock DIN 81307 B, Le/O, 55/9 mm, PC hole	pc.	1,000
114202.6	Bpc	Rim lock DIN 81307 B, Le/O, 55/9 mm, PC hole	pc.	1,000
114202.9	Bmc	Rim lock DIN 81307 B, Le/O, 55/9 mm, PC hole	pc.	1,000
210012.1	Brp	Extra key, length 110 mm	pc.	0,060
210012.4	Bp	Extra key, length 110 mm	pc.	0,060
210012.6	Bpc	Extra key, length 110 mm	pc.	0,060
210012.9	Bmc	Extra key, length 110 mm	pc.	0,060

RIM DEAD LOCKS DIN 81308 A KEY HOLE - 1144 RIM DEAD LOCKS WITH FLANGE

Rim dead locks with 9 mm spindle hole, 55mm backset

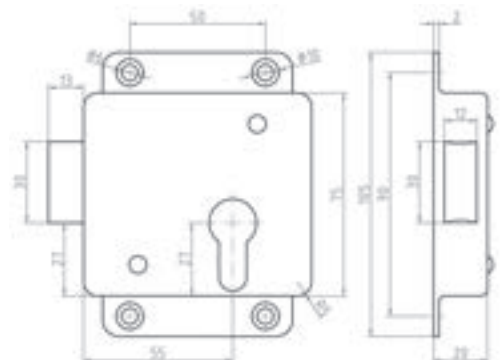
- Door directions please see also page 10
- 2 keys included
- With striking box or striking plate
- Key alike or masterkey system on request



Art.code	Surface	Article description	Unit	Weight
114401.4	Bp	Rim dead lock DIN 81308 A, Ri/O, 55 mm backset, key hole	pc.	0,590
114401.6	Bpc	Rim dead lock DIN 81308 A, Ri/O, 55 mm backset, key hole	pc.	0,590
114401.9	Bmc	Rim dead lock DIN 81308 A, Ri/O, 55 mm backset, key hole	pc.	0,590
114402.4	Bp	Rim dead lock DIN 81308 A, Le/O, 55 mm backset, key hole	pc.	0,590
114402.6	Bpc	Rim dead lock DIN 81308 A, Le/O, 55 mm backset, key hole	pc.	0,590
114402.9	Bmc	Rim dead lock DIN 81308 A, Le/O, 55 mm backset, key hole	pc.	0,590
210012.1	Brp	Extra key, length 110 mm	pc.	0,060
210012.4	Bp	Extra key, length 110 mm	pc.	0,060
210012.6	Bpc	Extra key, length 110 mm	pc.	0,060
210012.9	Bmc	Extra key, length 110 mm	pc.	0,060

RIM DEAD LOCKS DIN 81308 B PC HOLE - 1145 RIM DEAD LOCKS WITH FLANGE

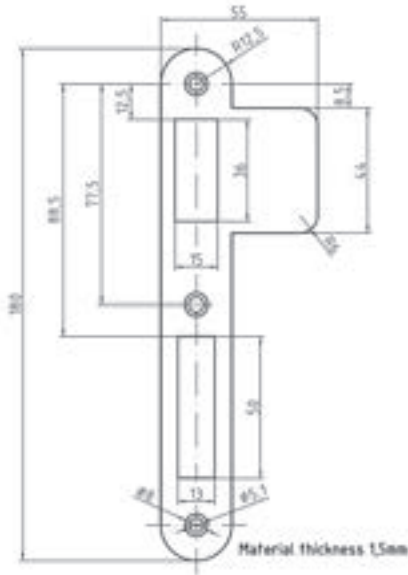
Rim dead lock with 9 mm spindle hole, 55mm backset



Art.code	Surface	Article description	Unit	Weight
114501.4	Bp	Rim dead lock DIN 81308 B, Ri/O, 55 mm backset, PC hole	pc.	0,450
114501.6	Bpc	Rim dead lock DIN 81308 B, Ri/O, 55 mm backset, PC hole	pc.	0,450
114501.9	Bmc	Rim dead lock DIN 81308 B, Ri/O, 55 mm backset, PC hole	pc.	0,460
114502.4	Bp	Rim dead lock DIN 81308 B, Le/O, 55 mm backset, PC hole	pc.	0,450
114502.6	Bpc	Rim dead lock DIN 81308 B, Le/O, 55 mm backset, PC hole	pc.	0,450
114502.9	Bmc	Rim dead lock DIN 81308 B, Le/O, 55 mm backset, PC hole	pc.	0,460

STRIKING PLATES DIN 81314 A - STRIKING PLATES FOR MORTISE AND RIM LOCKS

Striking plates for distances 72-78 mm

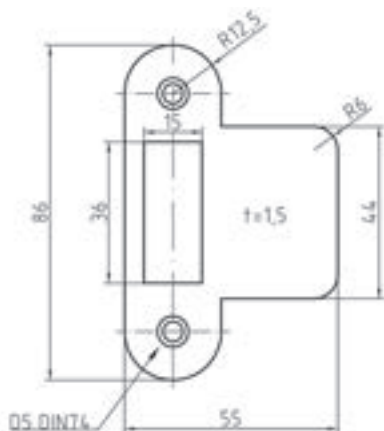


Art.code	Surface	Article description	Unit	Weight
220031.4	Bp	Striking plate 25x1,5x180 mm, right, for mortise and rim locks	pc.	0,060
220031.6	Bpc	Striking plate 25x1,5x180 mm, right, for mortise and rim locks	pc.	0,060
220031.9	Bmc	Striking plate 25x1,5x180 mm, right, for mortise and rim locks	pc.	0,060
220032.4	Bp	Striking plate 25x1,5x180 mm, left, for mortise and rim locks	pc.	0,060
220032.6	Bpc	Striking plate 25x1,5x180 mm, left, for mortise and rim locks	pc.	0,060
220032.9	Bmc	Striking plate 25x1,5x180 mm, left, for mortise and rim locks	pc.	0,060
220031F.4	Bp	Striking plate 25x1,5x180 mm, right, for mortise catch locks	pc.	0,060
220031F.6	Bpc	Striking plate 25x1,5x180 mm, right, for mortise catch locks	pc.	0,060
220031F.9	Bmc	Striking plate 25x1,5x180 mm, right, for mortise catch locks	pc.	0,060
220032F.4	Bp	Striking plate 25x1,5x180 mm, left, for mortise catch locks	pc.	0,060
220032F.6	Bpc	Striking plate 25x1,5x180 mm, left, for mortise catch locks	pc.	0,060
220032F.9	Bmc	Striking plate 25x1,5x180 mm, left, for mortise catch locks	pc.	0,060

STRIKING PLATES DIN 81314 B - STRIKING PLATES FOR CATCH AND RIM LOCKS

• For right and left usage

• Radius R10 or angular on request

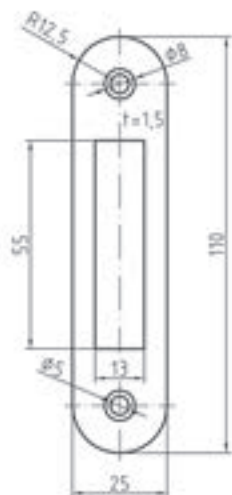


Art.code	Surface	Article description	Unit	Weight
220330.4	Bp	Striking plate for catch and rim locks, R=12,5 mm	pc.	0,032
220330.6	Bpc	Striking plate for catch and rim locks, R=12,5 mm	pc.	0,032
220330.9	Bmc	Striking plate for catch and rim locks, R=12,5 mm	pc.	0,032

STRIKING PLATES DIN 81314 C - STRIKING PLATES FOR DEAD AND RIM LOCKS

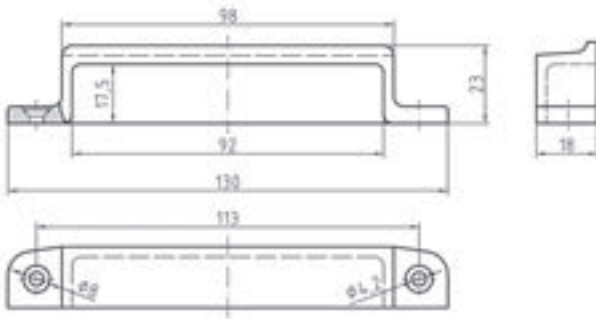
• For right and left usage

• Radius R10 or angular on request



Art.code	Surface	Article description	Unit	Weight
220430.4	Bp	Striking plate for catch and rim locks, R=12,5 mm	pc.	0,020
220430.6	Bpc	Striking plate for catch and rim locks, R=12,5 mm	pc.	0,020
220430.9	Bmc	Striking plate for catch and rim locks, R=12,5 mm	pc.	0,020

STRIKING BOX BRASS - STRIKING BOX FOR DEAD AND RIM LOCKS



Art.code	Surface	Article description	Unit	Weight
222400.4	Bp	Striking box for dead and rim locks	pc.	0,095
222400.6	Bpc	Striking box for dead and rim locks	pc.	0,095
222400.9	Bmc	Striking box for dead and rim locks	pc.	0,095

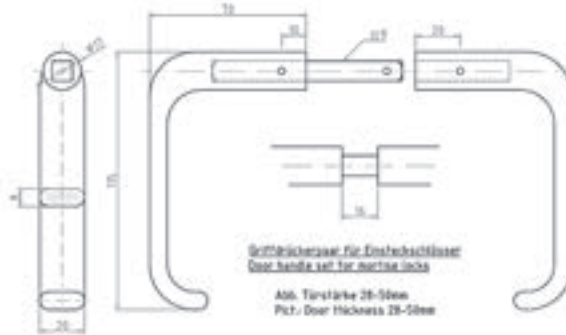
1 LOCKS & ATTACHMENTS BRASS

DOOR HANDLES BRASS

DOOR HANDLES FOR MORTISE LOCKS - HANDLES FOR DOOR THICKNESS 28-70 MM

Brass Ms 63

- Application for door thickness 28-70 mm
- Please indicate door thickness

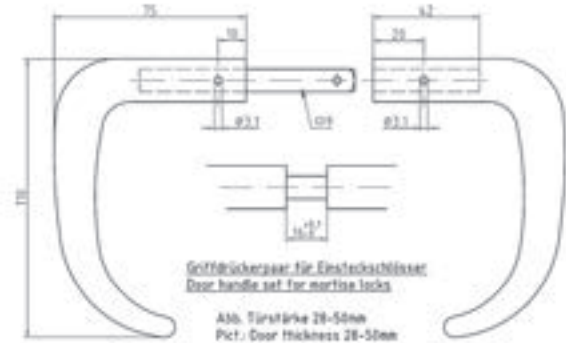


Art.code	Surface	Article description	Unit	Weight
171009.4	Bp	Door handles 115 mm, 9 mm spindle, for doors 28-50 mm	set	0,570
171009.6	Bpc	Door handles 115 mm, 9 mm spindle, for doors 28-50 mm	set	0,570
171009.9	Bmc	Door handles 115 mm, 9 mm spindle, for doors 28-50 mm	set	0,570
171096.4	Bp	Door handles 115 mm, 9 mm spindle, for doors 48-70 mm	set	0,580
171096.6	Bpc	Door handles 115 mm, 9 mm spindle, for doors 48-70 mm	set	0,580
171096.9	Bmc	Door handles 115 mm, 9 mm spindle, for doors 48-70 mm	set	0,580

DOOR HANDLES FOR MORTISE LOCKS - HANDLES 110 MM

Brass Ms 63

- Application for door thickness 28-70 mm
- With 8 or 9 mm spindle
- Please indicate door thickness

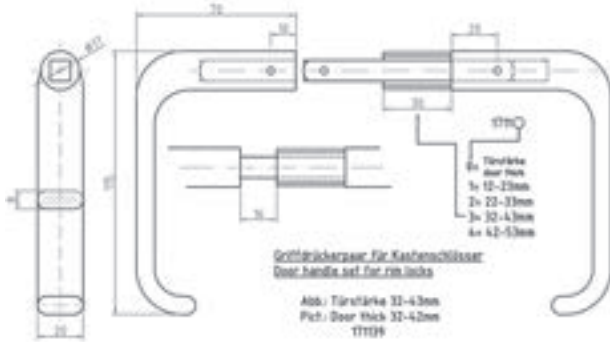


Art.code	Surface	Article description	Unit	Weight
172009.4	Bp	Door handles 110 mm, 9 mm spindle, for doors 28-50 mm	set	0,545
172009.6	Bpc	Door handles 110 mm, 9 mm spindle, for doors 28-50 mm	set	0,545
172009.9	Bmc	Door handles 110 mm, 9 mm spindle, for doors 28-50 mm	set	0,545
172008.4	Bp	Door handles 110 mm, 8 mm spindle, for doors 28-50 mm	set	0,545
172008.6	Bpc	Door handles 110 mm, 8 mm spindle, for doors 28-50 mm	set	0,545
172008.9	Bmc	Door handles 110 mm, 8 mm spindle, for doors 28-50 mm	set	0,545

DOOR HANDLES FOR RIM LOCKS - HANDLES FOR DOOR THICKNESS 28-70 MM

Brass Ms 63

- For rim locks up to door thickness 71 mm
- Please indicate door thickness on the order

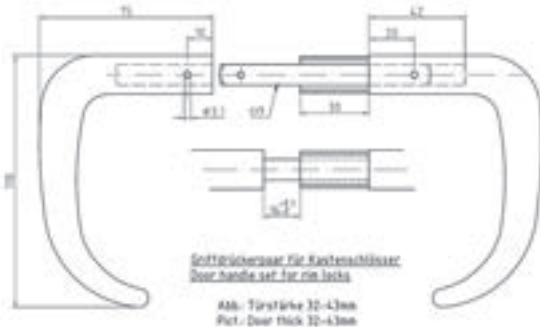


Art.code	Surface	Article description	Unit	Weight
171139.4	Bp	Door handles 115 mm, 9 mm spindle, for doors 32-43 mm	set	0,570
171139.6	Bpc	Door handles 115 mm, 9 mm spindle, for doors 32-43 mm	set	0,570
171139.9	Bmc	Door handles 115 mm, 9 mm spindle, for doors 32-43 mm	set	0,570
171169.4	Bp	Door handles 115 mm, 9 mm spindle, for doors 62-70 mm	set	0,650
171169.6	Bpc	Door handles 115 mm, 9 mm spindle, for doors 62-70 mm	set	0,650
171169.9	Bmc	Door handles 115 mm, 9 mm spindle, for doors 62-70 mm	set	0,650

DOOR HANDLES FOR RIM LOCKS - HANDLES 110 MM

Brass Ms 63

- For rim locks up to door thickness 70 mm
- With 8 or 9 mm spindle
- Please indicate door thickness on the order



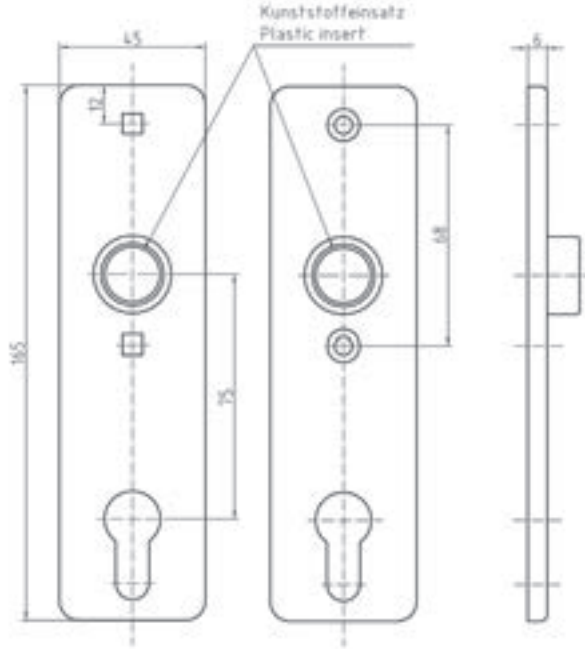
Art.code	Surface	Article description	Unit	Weight
172139.4	Bp	Door handles 110 mm, 9 mm spindle, for doors 32-43 mm	set	0,580
172139.6	Bpc	Door handles 110 mm, 9 mm spindle, for doors 32-43 mm	set	0,580
172139.9	Bmc	Door handles 110 mm, 9 mm spindle, for doors 32-43 mm	set	0,580

1 LOCKS & ATTACHMENTS BRASS

ESCUTCHEONS & ROSETTES BRASS

ESCUTCHEONS 165X45 MM - ESCUTCHEONS 165X45 MM - BLIND, KEY HOLE, PROFILE CYLINDER HOLE

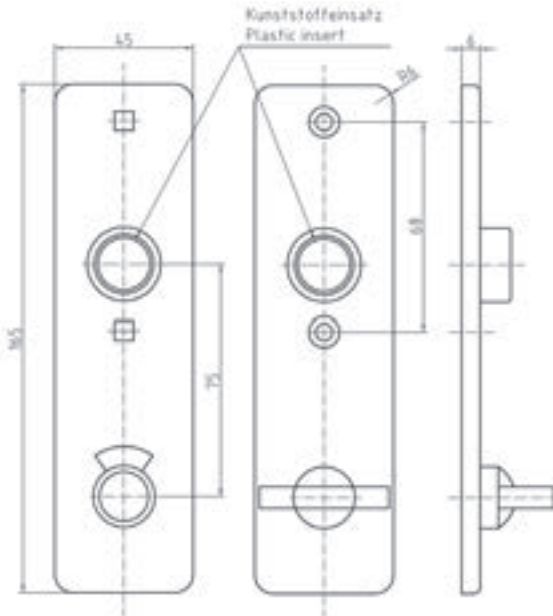
- Distance 72 mm on request
- Escutcheon plates also available single with round or square hole
- complete with set screw M5x65 mm and nut
- key hole version with coverplate on request
- Please indicate door thickness



Art.code	Surface	Article description	Unit	Weight
183010.4	Bp	Escutcheon pair 165x45 mm, blind	set	0,250
183010.6	Bpc	Escutcheon pair 165x45 mm, blind	set	0,250
183010.9	Bmc	Escutcheon pair 165x45 mm, blind	set	0,250
183011.4	Bp	Escutcheon pair 165x45 mm, key hole, distance 75 mm	set	0,250
183011.6	Bpc	Escutcheon pair 165x45 mm, key hole, distance 75 mm	set	0,250
183011.9	Bmc	Escutcheon pair 165x45 mm, key hole, distance 75 mm	set	0,250
183012.4	Bp	Escutcheon pair 165x45 mm, PC hole, distance 75 mm	set	0,250
183012.6	Bpc	Escutcheon pair 165x45 mm, PC hole, distance 75 mm	set	0,250
183012.9	Bmc	Escutcheon pair 165x45 mm, PC hole, distance 75 mm	set	0,250
183512.9	Bmc	Escutcheon plate 165x45 mm, PC hole, distance 75 mm, with s/s coverplate 12 mm, angular fixing holes	pc.	0,150
183519.4	Bp	Escutcheon plate 165x45 mm, PC hole, distance 75 mm, with brass coverplate 17 mm, angular fixing holes	pc.	0,160
183519.6	Bpc	Escutcheon plate 165x45 mm, PC hole, distance 75 mm, with brass coverplate 17 mm, angular fixing holes	pc.	0,160
183519.9	Bmc	Escutcheon plate 165x45 mm, PC hole, distance 75 mm, with brass coverplate 17 mm, angular fixing holes	pc.	0,160

ESCUTCHEONS FOR LAVATORY - ESCUTCHEONS 165X45 MM LAVATORY VERSION

• Please indicate door thickness

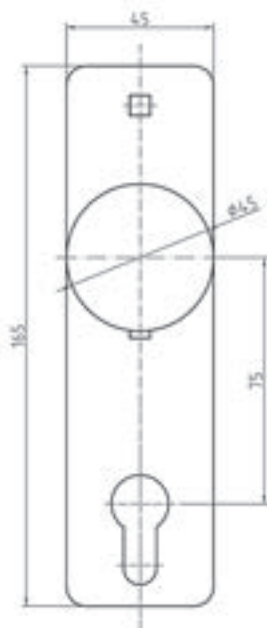


Art.code	Surface	Article description	Unit	Weight
188011.4	Bp	Escutcheon WC outside with red/green sign, 165x45 mm	pc.	0,115
188011.6	Bpc	Escutcheon WC outside with red/green sign, 165x45 mm	pc.	0,115
188011.9	Bmc	Escutcheon WC outside with red/green sign, 165x45 mm	pc.	0,115
188012.4	Bp	Escutcheon WC inside with brass olive, 165x45 mm	pc.	0,210
188012.6	Bpc	Escutcheon WC inside with brass olive, 165x45 mm	pc.	0,210
188012.9	Bmc	Escutcheon WC inside with brass olive, 165x45 mm	pc.	0,210

ESCUTCHEONS WITH KNOB - ESCUTCHEON WITH KNOB AND PC HOLE

Brass

- In stainless steel material on demand
- With through bolt and nut set M5x65 mm
- For outside assembly
- Please indicate door thickness

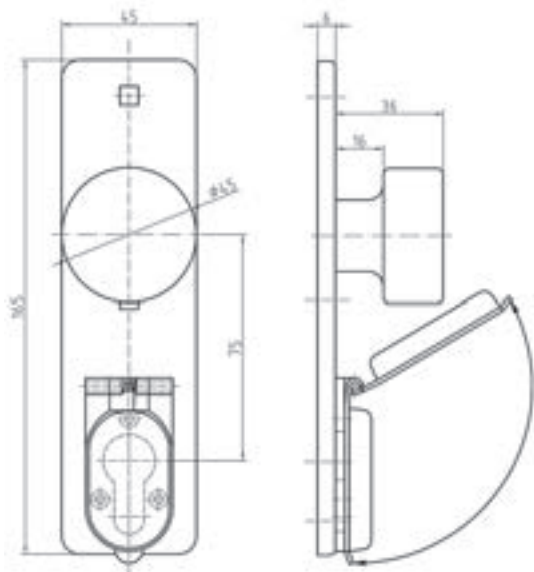


Art.code	Surface	Article description	Unit	Weight
183532.4	Bp	Escutcheon 165x45 mm with knob, PC hole	pc.	0,360
183532.6	Bpc	Escutcheon 165x45 mm with knob, PC hole	pc.	0,360
183532.9	Bmc	Escutcheon 165x45 mm with knob, PC hole	pc.	0,360

ESCUTCHEONS WITH KNOB - ESCUTCHEON WITH KNOB, PC HOLE AND COVERPLATE

Brass

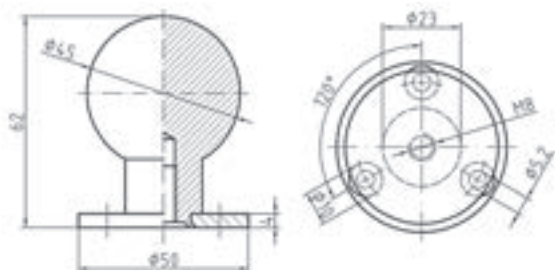
- In stainless steel material on demand
- With bolt and nut set M5x65 mm
- For outside assembly
- Please indicate door thickness



Art.code	Surface	Article description	Unit	Weight
183535.4	Bp	Escutcheon 165x45 mm with knob, PC hole, s/s coverplate 12 mm	pc.	0,410
183535.6	Bpc	Escutcheon 165x45 mm with knob, PC hole, s/s coverplate 12 mm	pc.	0,410
183535.9	Bmc	Escutcheon 165x45 mm with knob, PC hole, s/s coverplate 12 mm	pc.	0,410
183536.4	Bp	Escutcheon 165x45 mm with knob, PC hole, brass coverplate 17 mm	pc.	0,420
183536.6	Bpc	Escutcheon 165x45 mm with knob, PC hole, brass coverplate 17 mm	pc.	0,420
183536.9	Bmc	Escutcheon 165x45 mm with knob, PC hole, brass coverplate 17 mm	pc.	0,420

DOOR KNOB - DOOR KNOB ROUND 45 MM

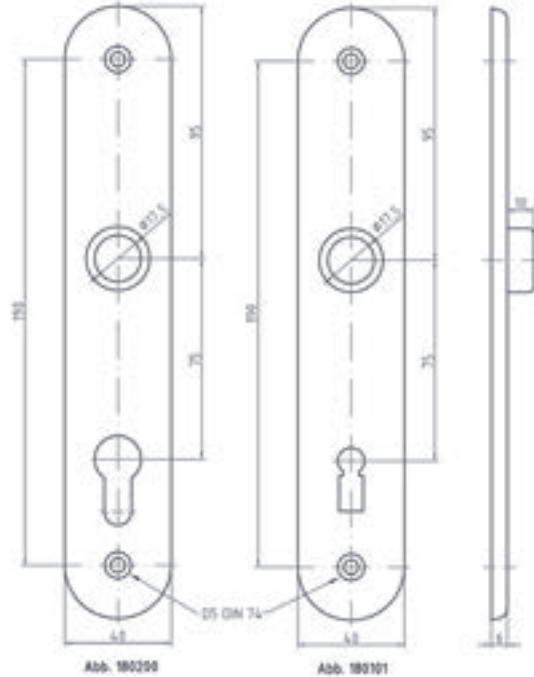
- In stainless steel please check article number N-183540



Art.code	Surface	Article description	Unit	Weight
183540.4	Bp	Knob Rd 45 mm, on fixing plate Rd 50x4 mm	pc.	0,490
183540.6	Bpc	Knob Rd 45 mm, on fixing plate Rd 50x4 mm	pc.	0,490
183540.9	Bmc	Knob Rd 45 mm, on fixing plate Rd 50x4 mm	pc.	0,490

ESCUTCHEONS LONG 230 MM - ESCUTCHEONS 230 MM

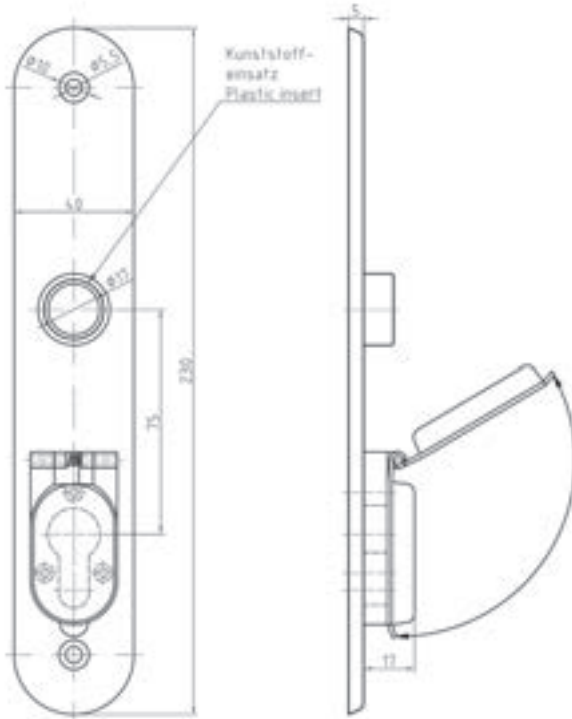
- PC and keyhole version extendable with coverplate
- Please indicate door thickness



Art.code	Surface	Article description	Unit	Weight
180001.4	Bp	Escutcheon 230 mm, WC outside with red-green sign	pc.	0,130
180001.6	Bpc	Escutcheon 230 mm, WC outside with red-green sign	pc.	0,130
180001.9	Bmc	Escutcheon 230 mm, WC outside with red-green sign	pc.	0,130
180002.4	Bp	Escutcheon 230 mm, WC inside with olive	pc.	0,130
180002.6	Bpc	Escutcheon 230 mm, WC inside with olive	pc.	0,130
180002.9	Bmc	Escutcheon 230 mm, WC inside with olive	pc.	0,130
180101.4	Bp	Escutcheon 230 mm, key hole	pc.	0,130
180101.6	Bpc	Escutcheon 230 mm, key hole	pc.	0,130
180101.9	Bmc	Escutcheon 230 mm, key hole	pc.	0,130
180200.4	Bp	Escutcheon 230 mm, PC hole	pc.	0,130
180200.6	Bpc	Escutcheon 230 mm, PC hole	pc.	0,130
180200.9	Bmc	Escutcheon 230 mm, PC hole	pc.	0,130
180300.4	Bp	Escutcheon 230 mm, blind	pc.	0,140
180300.6	Bpc	Escutcheon 230 mm, blind	pc.	0,140
180300.9	Bmc	Escutcheon 230 mm, blind	pc.	0,140

ESCUTCHEONS LONG 230 MM - ESCUTCHEONS 230 MM WITH COVERPLATE

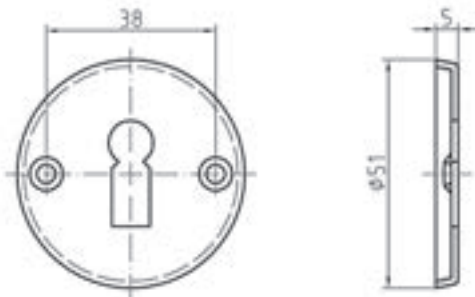
- Distance 72 mm on request
- Also available with stainless steel coverplate 12 or 17 mm thick
- Please indicate door thickness



Art.code	Surface	Article description	Unit	Weight
180202.4	Bp	Escutcheon 230 mm, PC hole with coverplate 17 mm	pc.	0,130
180202.6	Bpc	Escutcheon 230 mm, PC hole with coverplate 17 mm	pc.	0,130
180202.9	Bmc	Escutcheon 230 mm, PC hole with coverplate 17 mm	pc.	0,130

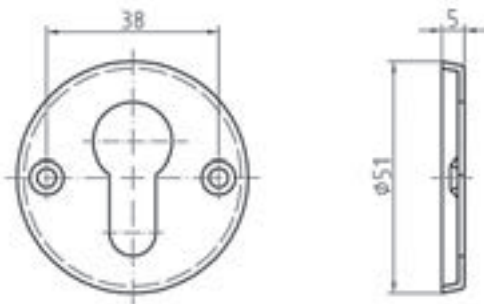
ESCUTCHEONS ROUND WITH KEY HOLE - ESCUTCHEONS RD 51 MM

• Also available with coverplate



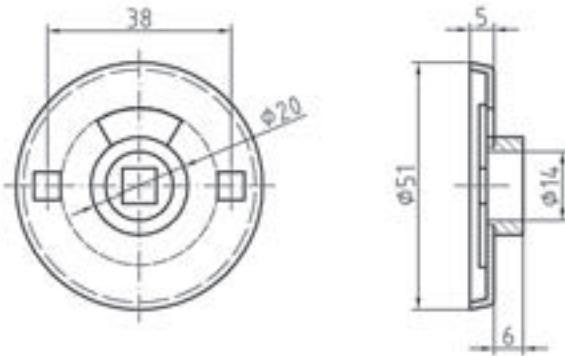
Art.code	Surface	Article description	Unit	Weight
190401.4	Bp	Keyhole escutcheon Rd 51 mm, for wood screws	pc.	0,025
190401.6	Bpc	Keyhole escutcheon Rd 51 mm, for wood screws	pc.	0,025
190401.9	Bmc	Keyhole escutcheon Rd 51 mm, for wood screws	pc.	0,025
190402.4	Bp	Keyhole escutcheon Rd 51 mm, with coverplate, for wood screws	pc.	0,028
190402.6	Bpc	Keyhole escutcheon Rd 51 mm, with coverplate, for wood screws	pc.	0,028
190402.9	Bmc	Keyhole escutcheon Rd 51 mm, with coverplate, for wood screws	pc.	0,028
190410.4	Bp	Escutcheons Rd 51 mm, key hole, through bolt and nut M5x45 mm	set	0,055
190410.6	Bpc	Escutcheons Rd 51 mm, key hole, through bolt and nut M5x45 mm	set	0,055
190410.9	Bmc	Escutcheons Rd 51 mm, key hole, through bolt and nut M5x45 mm	set	0,055

ESCUTCHEONS ROUND WITH PC HOLE - ESCUTCHEONS RD 51 MM



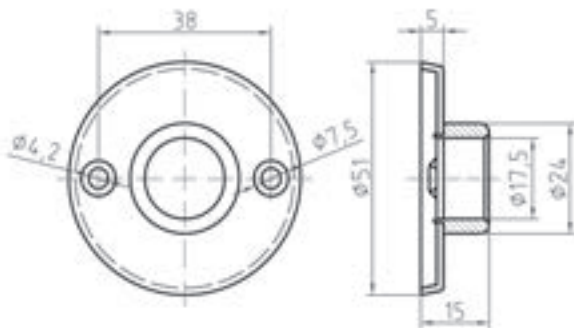
Art.code	Surface	Article description	Unit	Weight
190200.4	Bp	PC hole escutcheon Rd 51 mm, for wood screws	pc.	0,025
190200.6	Bpc	PC hole escutcheon Rd 51 mm, for wood screws	pc.	0,025
190200.9	Bmc	PC hole escutcheon Rd 51 mm, for wood screws	pc.	0,025
190210.4	Bp	PC hole escutcheon pair Rd 51 mm, DIN 81316 with through bolt and nut M5x45 mm	set	0,043
190210.6	Bpc	PC hole escutcheon pair Rd 51 mm, DIN 81316 with through bolt and nut M5x45 mm	set	0,043
190210.9	Bmc	PC hole escutcheon pair Rd 51 mm, DIN 81316 with through bolt and nut M5x45 mm	set	0,043

ESCUTCHEONS ROUND FOR LAVATORY - ESCUTCHEONS FOR LAVATORY RD 51 MM



Art.code	Surface	Article description	Unit	Weight
190001.4	Bp	WC roset with red green sign, for outside, for wood screws	pc.	0,035
190001.6	Bpc	WC roset with red green sign, for outside, for wood screws	pc.	0,035
190001.9	Bmc	WC roset with red green sign, for outside, for wood screws	pc.	0,035
190002.4	Bp	WC roset with olive, for inside, for wood screws	pc.	0,119
190002.6	Bpc	WC roset with olive, for inside, for wood screws	pc.	0,119
190002.9	Bmc	WC roset with olive, for inside, for wood screws	pc.	0,119
190011.4	Bp	WC roset with red green sign, for outside, for through bolt and nut	pc.	0,035
190011.6	Bpc	WC roset with red green sign, for outside, for through bolt and nut	pc.	0,035
190011.9	Bmc	WC roset with red green sign, for outside, for through bolt and nut	pc.	0,035
190012.4	Bp	WC roset with olive, for inside, for through bolt and nut	pc.	0,126
190012.6	Bpc	WC roset with olive, for inside, for through bolt and nut	pc.	0,126
190012.9	Bmc	WC roset with olive, for inside, for through bolt and nut	pc.	0,126

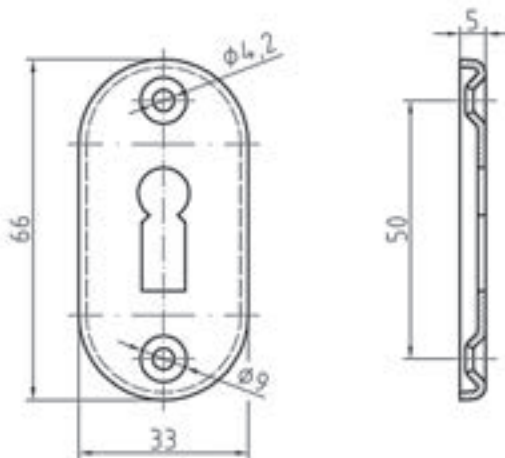
HANDLE ROSETTES - HANDLE ROSETTES RD 51 MM



Art.code	Surface	Article description	Unit	Weight
190300.4	Bp	Roset Rd 51 mm for wood screws	pc.	0,044
190300.6	Bpc	Roset Rd 51 mm for wood screws	pc.	0,044
190300.9	Bmc	Roset Rd 51 mm for wood screws	pc.	0,044
190310.4	Bp	Handle roset pair Rd 51 mm with through bolt and nuts M5x45 mm	set	0,074
190310.6	Bpc	Handle roset pair Rd 51 mm with through bolt and nuts M5x45 mm	set	0,074
190310.9	Bmc	Handle roset pair Rd 51 mm with through bolt and nuts M5x45 mm	set	0,074

ESCUTCHEONS FOR KEYHOLES - ESCUTCHEONS 66X33 MM

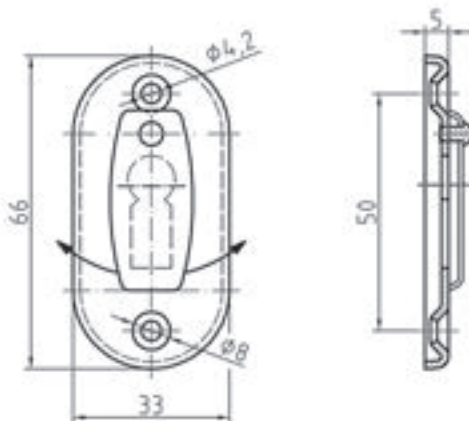
- For key hole and profile cylinder version



Art.code	Surface	Article description	Unit	Weight
192501.4	Bp	Escutcheon with key hole 66x33 mm	pc.	0,027
192501.6	Bpc	Escutcheon with key hole 66x33 mm	pc.	0,027
192501.9	Bmc	Escutcheon with key hole 66x33 mm	pc.	0,027

ESCUTCHEONS FOR KEYHOLES WITH COVERPLATE - ESCUTCHEONS WITH KEY HOLE WITH COVERPLATE 66X33 MM

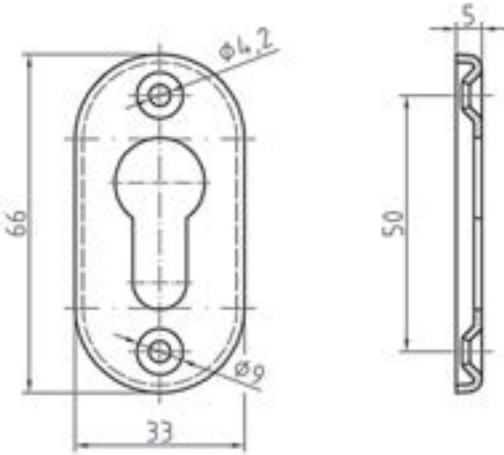
- For key hole and profile cylinder version



Art.code	Surface	Article description	Unit	Weight
192502.4	Bp	Escutcheon with key hole with coverplate 66x33 mm	pc.	0,033
192502.6	Bpc	Escutcheon with key hole with coverplate 66x33 mm	pc.	0,033
192502.9	Bmc	Escutcheon with key hole with coverplate 66x33 mm	pc.	0,033

ESCUTCHEONS FOR PROFILE CYLINDER HOLES - ESCUTCHEONS WITH PROFILE CYLINDER HOLES 66X33 MM

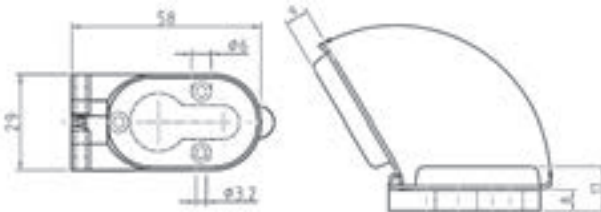
- For key hole and profile cylinder version



Art.code	Surface	Article description	Unit	Weight
192401.4	Bp	Escutcheon with PC hole 66x33 mm	pc.	0,024
192401.6	Bpc	Escutcheon with PC hole 66x33 mm	pc.	0,024
192401.9	Bmc	Escutcheon with PC hole 66x33 mm	pc.	0,024

PROFILE CYLINDER COVERPLATES - COVERPLATE 17 MM HEIGHT BRASS

- Delivered with screws and nuts



Art.code	Surface	Article description	Unit	Weight
183598.4	Bp	Cover plate with screws and nuts, 17 mm height	pc.	0,085
183598.6	Bpc	Cover plate with screws and nuts, 17 mm height	pc.	0,085
183598.9	Bmc	Cover plate with screws and nuts, 17 mm height	pc.	0,085

ATTACHMENTS - SCREWS & NUTS



Art.code	Surface	Article description	Unit	Weight
209945.4	Bp	Fixing screw with nut M5x45 mm for escutcheon plates	pc.	0,010
209945.6	Bpc	Fixing screw with nut M5x45 mm for escutcheon plates	pc.	0,010
209945.9	Bmc	Fixing screw with nut M5x45 mm for escutcheon plates	pc.	0,010
209975.4	Bp	Fixing screw with nut M5x65 mm for escutcheon plates	pc.	0,015
209975.6	Bpc	Fixing screw with nut M5x65 mm for escutcheon plates	pc.	0,015
209975.9	Bmc	Fixing screw with nut M5x65 mm for escutcheon plates	pc.	0,015
209966.4	Bp	Adjustable fixing screw M5x66 mm, 6 distances, 7 times divisible	pc.	0,008
209966.6	Bpc	Adjustable fixing screw M5x66 mm, 6 distances, 7 times divisible	pc.	0,008
209966.9	Bmc	Adjustable fixing screw M5x66 mm, 6 distances, 7 times divisible	pc.	0,008