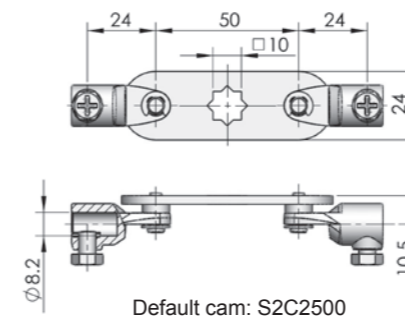
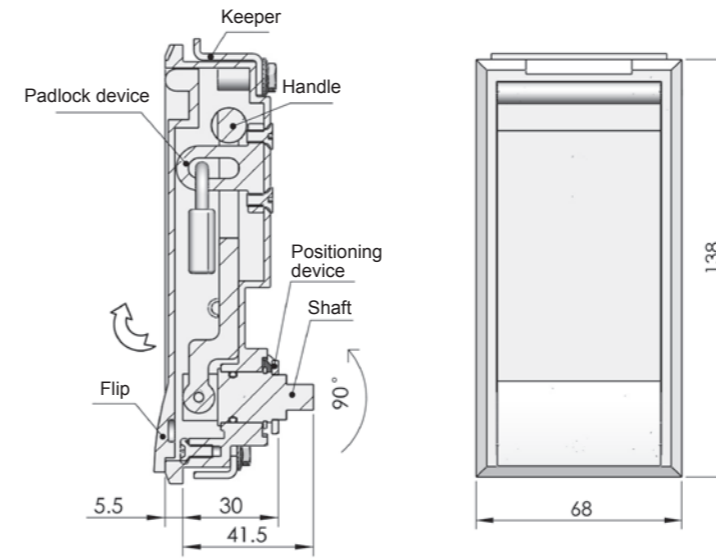


PANEL LOCK SERIES



ERP MS850A1D000001



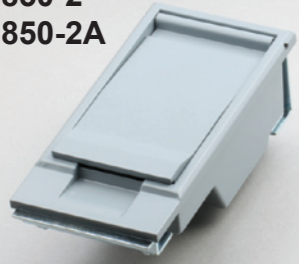
Main material and finish: Gray powder coated ALU housing, handle and cover, ZDC padlock device, zinc-plated steel shaft and keeper

Default cam: 2893250016

Performance parameter:
Handle load torque capability: ≤18N.m

- Accessories
- Electronic lock
- Handle lock
- Cylinder lock
- Plane lock
- Rod control lock
- Panel lock**
- Toggle and hook
- Handles
- Door stop
- Hinge
- Seal gasket

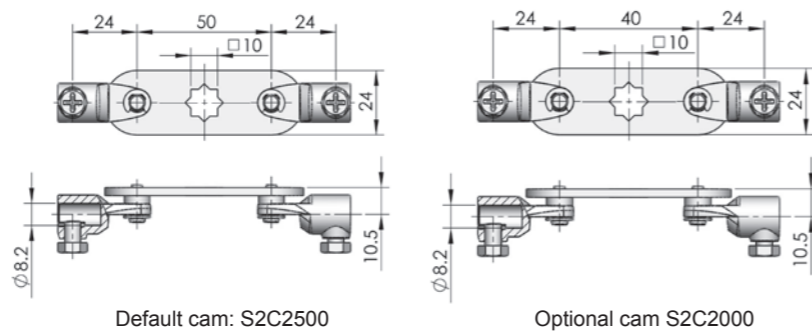
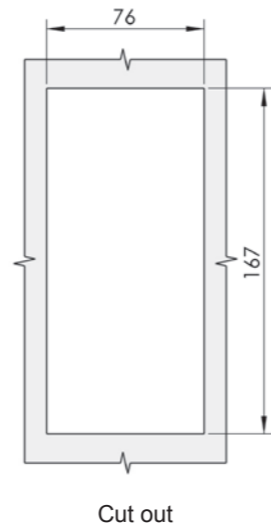
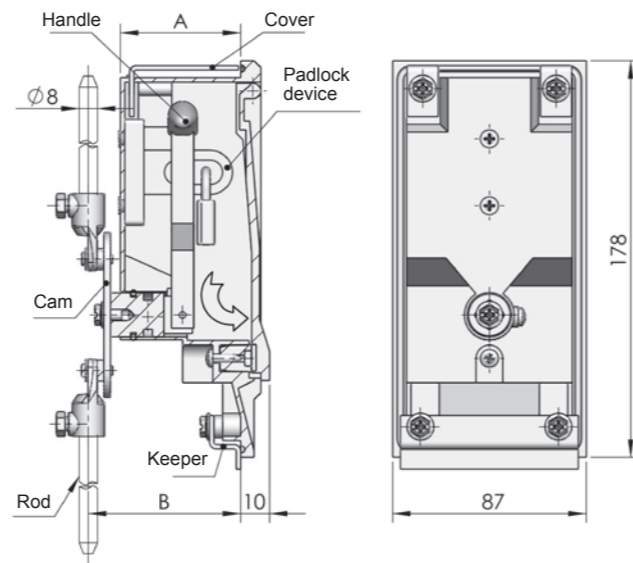
MS850-2
MS850-2A



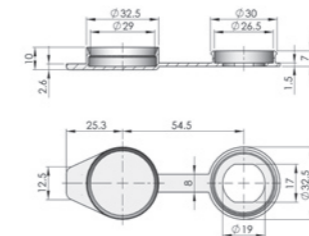
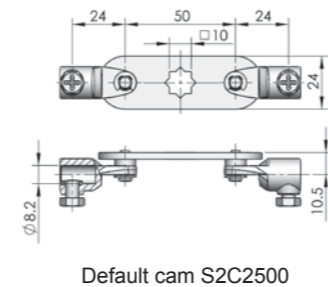
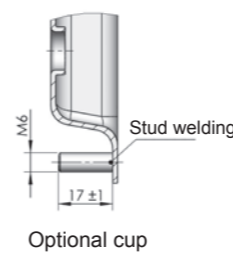
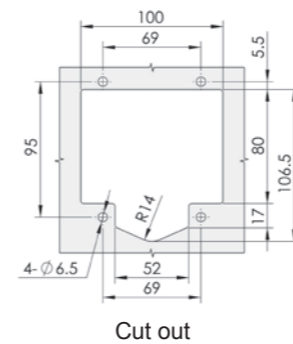
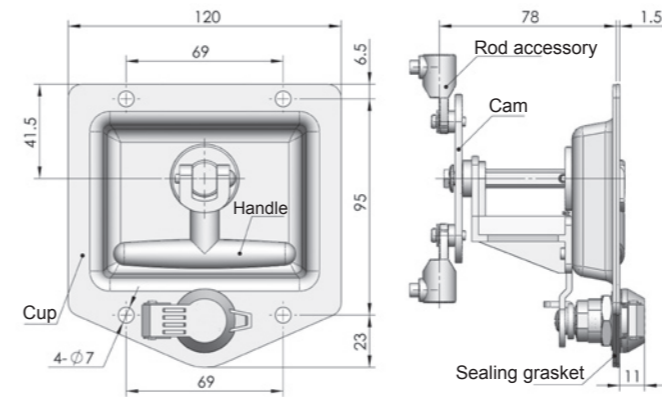
Main material and finish: Gray powder coated ALU housing, handle, padlock device, cover and shaft, zinc-plated steel cam and keeper

Default cam: 2893250016

Performance parameter:
Handle load torque capability: ≤25N.m

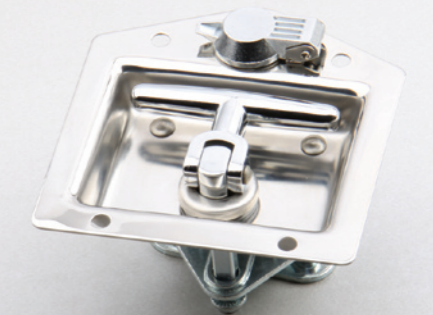


Item	ERP	Specification	
		A	B
MS850-2	MS850A1D000007	54	69
MS850-2A	MS850A1D000008	44	59



	MS856 Hole type	MS856-M Screw bolt type
ERP	MS856S4A130001	MS856S4A130002

MS856



Main material and finish: Mirror polished stainless steel cup, bright chrome-plated ZDC handle, shaft tube and dust-proof cap, white zinc-plated ZDC bracket, steel cam and shaft

Remark: Default key K130

Default cam: 2891250002

Performance parameter:
Handle load torque capability: ≤24N.m

Accessories
Electronic lock
Handle lock
Cylinder lock
Plane lock
Rod control lock
Panel lock
Toggle and hook
Handles
Door stop
Hinge
Seal gasket

MS857



Main material and finish: Mirror polished stainless steel cup, cam and shaft tube, bright chrome-plated ZDC handle, shaft tube and dust-proof cap

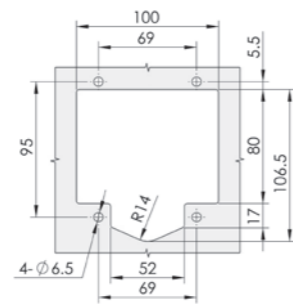
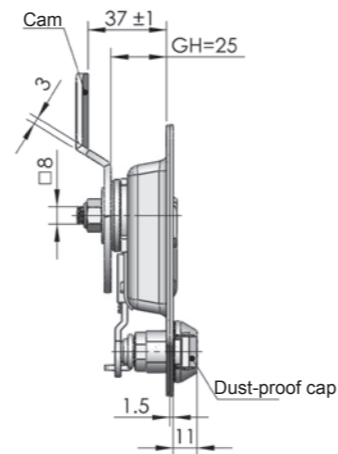
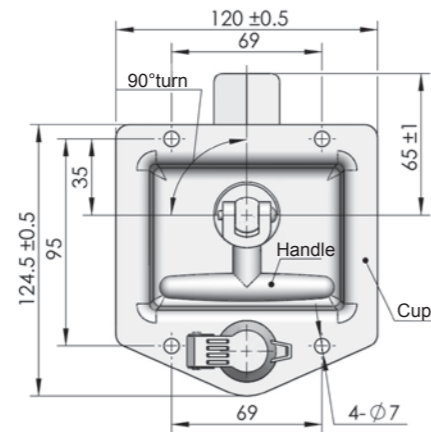
Remark: Default key K130

Default cam: S3B65Y13001

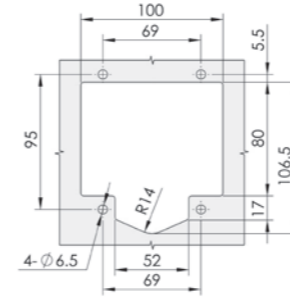
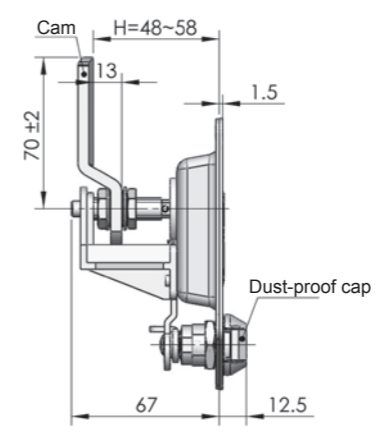
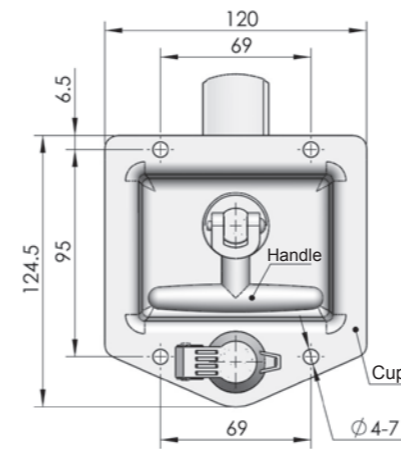
Performance parameter:

Handle load torque capability: ≤14N.m

Cam loading capability: ≤510N



Cut out



Cut out

MS858



Main material and finish: Mirror polished stainless steel cup and cam, bright chrome-plated ZDC handle, shaft tube and dust-proof cap, white zinc-plated ZDC bracket and steel shaft

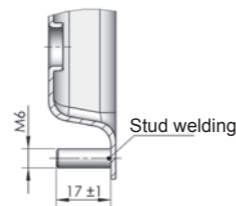
Remark: Default key K130

Default cam: S1B70Y13002

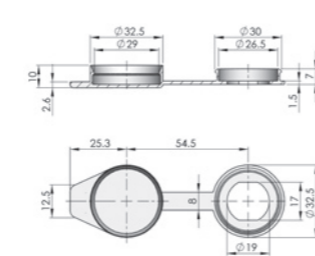
Performance parameter:

Handle load torque capability: ≤27N.m

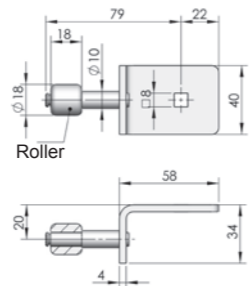
Cam loading capability: ≤510N



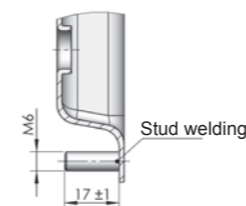
Optional cup



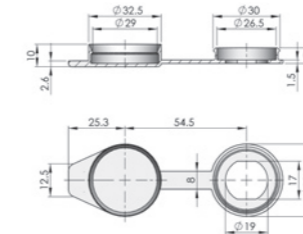
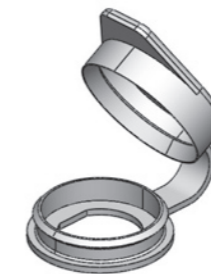
Optional WP003 water-tight cap



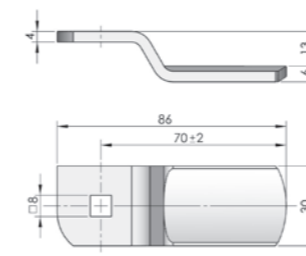
Optional cam S1B1179D



Optional cup



Optional WP003 insert water-tight cap



Default cam S1B7013D

	MS857 Hole type	MS857-M Screw bolt type
ERP	MS857S4A130001	MS857S4A130033

	MS858 Hole type	MS858-M Screw bolt type
ERP	MS858S4A130001	MS858S4A130002

Remark : ERP excludes Cam

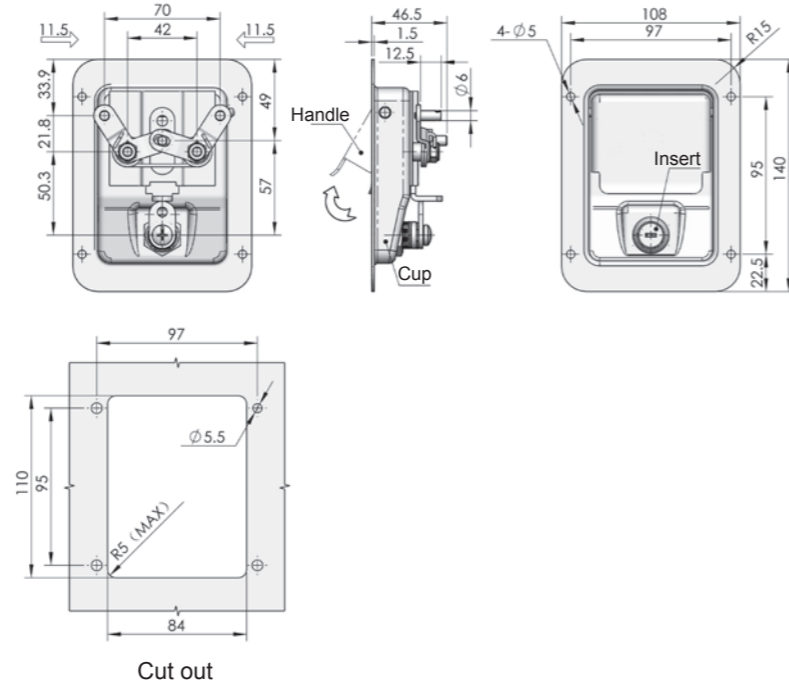
Accessories
Electronic lock
Handle lock
Cylinder lock
Plane lock
Rod control lock
Panel lock
Toggle and hook
Handles
Door stop
Hinge
Seal gasket

Accessories
Electronic lock
Handle lock
Cylinder lock
Plane lock
Rod control lock
Panel lock
Toggle and hook
Handles
Door stop
Hinge
Seal gasket

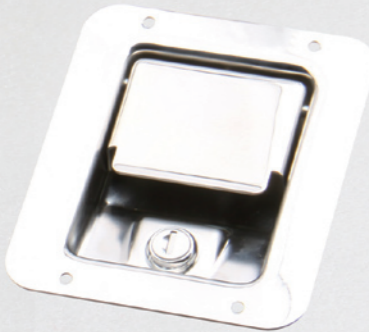
MS866-1



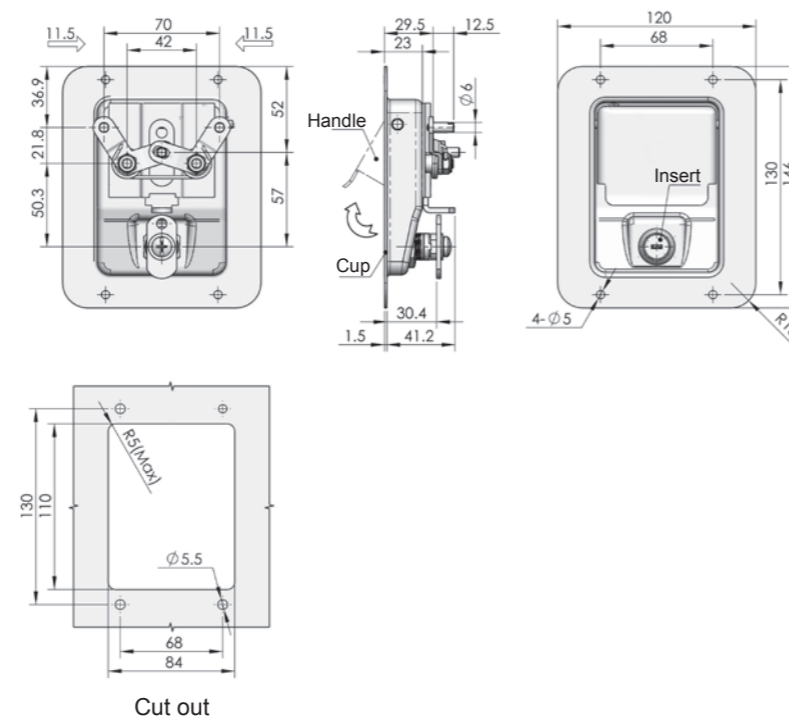
MS866-1



MS866-2



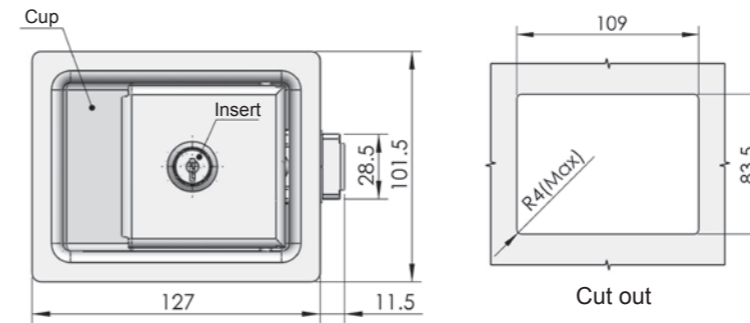
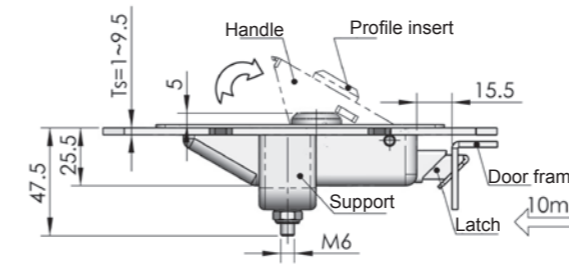
MS866-2



Main material and finish: Mirror polished stainless steel cup and handle, bright chrome-plated ZDC profile insert, zinc-plated other parts
Remark: Default key K082

Performance parameter:
Handle load tension capability: ≤130N

	MS866-1	MS866-2
ERP	MS866S4A082001	MS866S4A082002



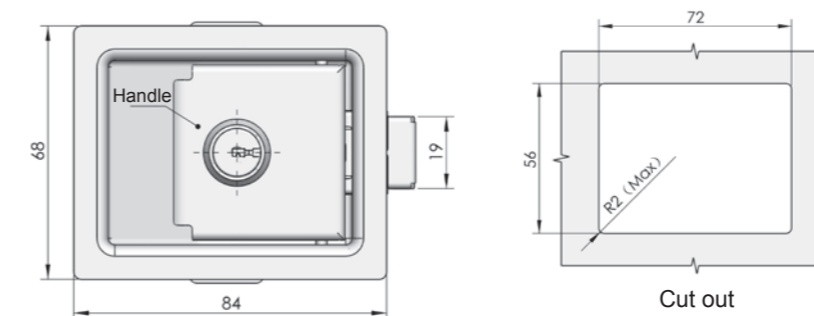
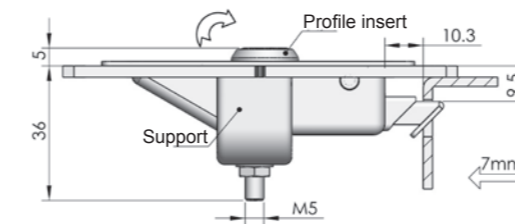
Specification	Without insert		With insert	
	Model	ERP	Model	ERP
Steel	MS866-3A	MS866F1A000006	MS866-3	MS866F1A160001
SUS	MS866-3SA	MS866S4A000005	MS866-3S	MS866S4A160003

MS866-3



Main material and finish: Silk black steel cup, handle and ZDC profile insert, zinc-plated steel latch and support
Remark: Default key K160

Performance parameter:
Handle load tension capability: ≤160N
Cam loading capability: ≤800N



Specification	Model	ERP
With insert	MS866-4	MS866F1A330001
Without insert	MS866-4A	MS866F1A000001

MS866-4



Main material and finish: Silk black steel cup and handle, sand blast and nickel-plated ZDC profile insert, zinc-plated steel latch, support and riveting screw
Remark: Default key K330

Performance parameter:
Handle load tension capability: ≤200N
Cam loading capability: ≤550N

Accessories
Electronic lock
Handle lock
Cylinder lock
Plane lock
Rod control lock
Panel lock
Toggle and hook
Handles
Door stop
Hinge
Seal gasket

Accessories
Electronic lock
Handle lock
Cylinder lock
Plane lock
Rod control lock
Panel lock
Toggle and hook
Handles
Door stop
Hinge
Seal gasket

MS866-5



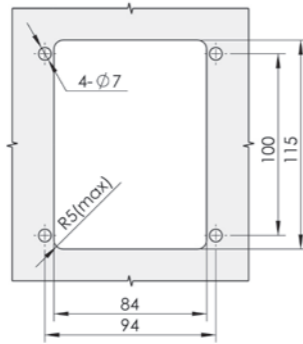
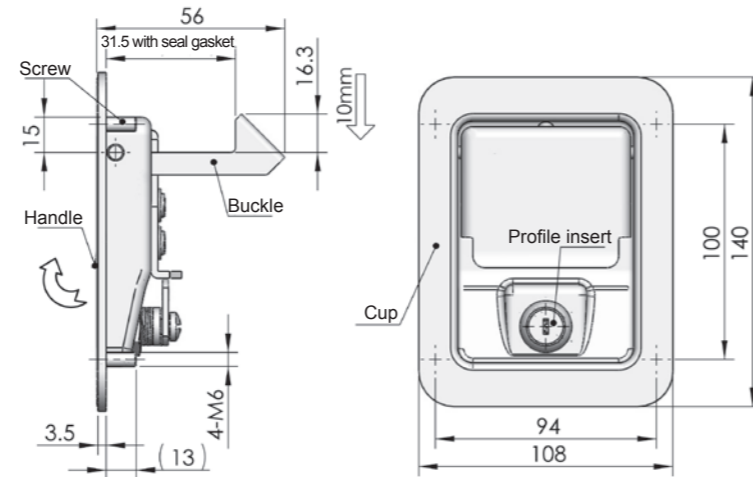
Main material and finish: Silk black steel cup and handle, nickel-plated ZDC profile insert, zinc-plated steel latch, support and weld screw

Remark: Default key K082

Performance parameter:

Handle load tension capability: ≤145N

Cam loading capability: ≤800N

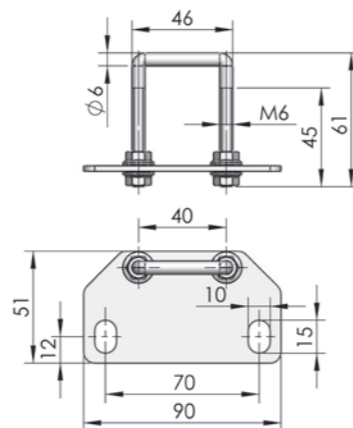


Cut out

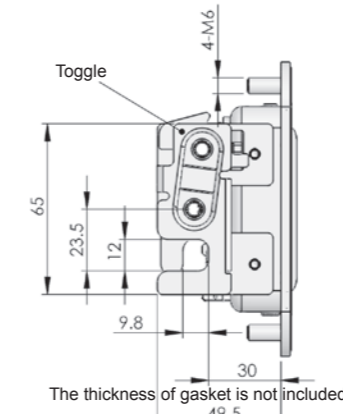
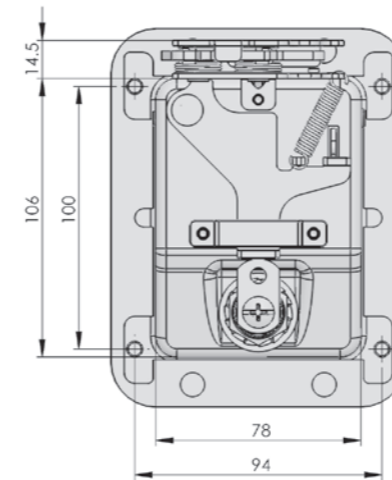
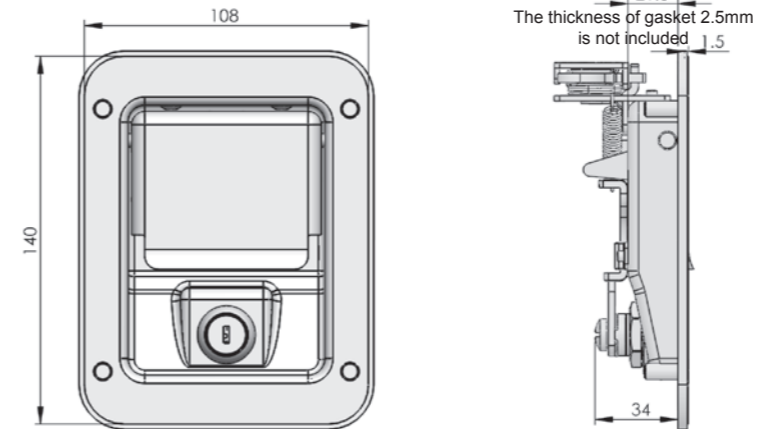
Remark: default product is without keeper

Specification	Without insert		With insert	
	Model	ERP	Model	ERP
H=31.5	MS866-5	MS866F1A080001	MS866-5A	MS866F1A000003
H=44	MS866-5B	MS866F1A080002	MS866-5BA	MS866F1A000004
H=55	MS866-5C	MS866F1A080003	MS866-5CA	MS866F1A000005

Pull buckle



ERP 2138665001



MS866-5E



RL IP54 3PL

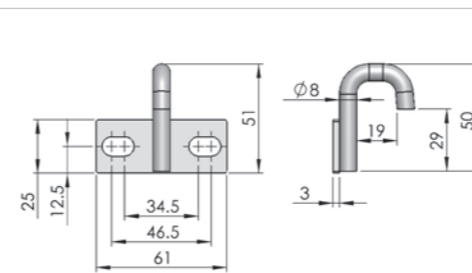
Main material and finish: Silk black steel cup, handle, chrome plated ZDC insert, stainless steel cover

Application: The drawing shows in locked position, turn the key and open insert, the handle pulls 20° up to open buckle by anti-loose structure, it can automatic reset.

Remark: There is catcher available, default one is without catcher. Default key is K49, key different available

Performance parameter:

Handle load tension capability: ≤145N



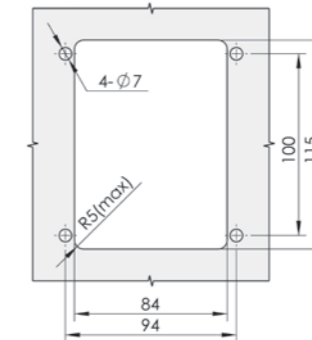
Latch 1



Latch 2

The dimension of Latch 1 and Latch 2 are the same, the welding direction is different

ERP MS866F1A490001

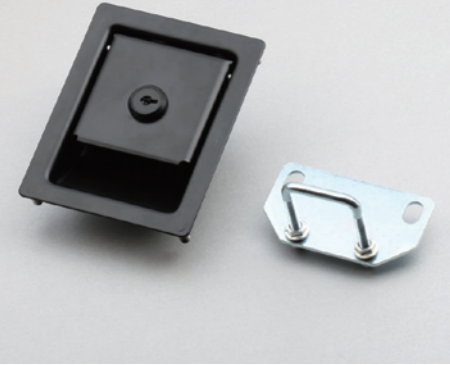


Cut out

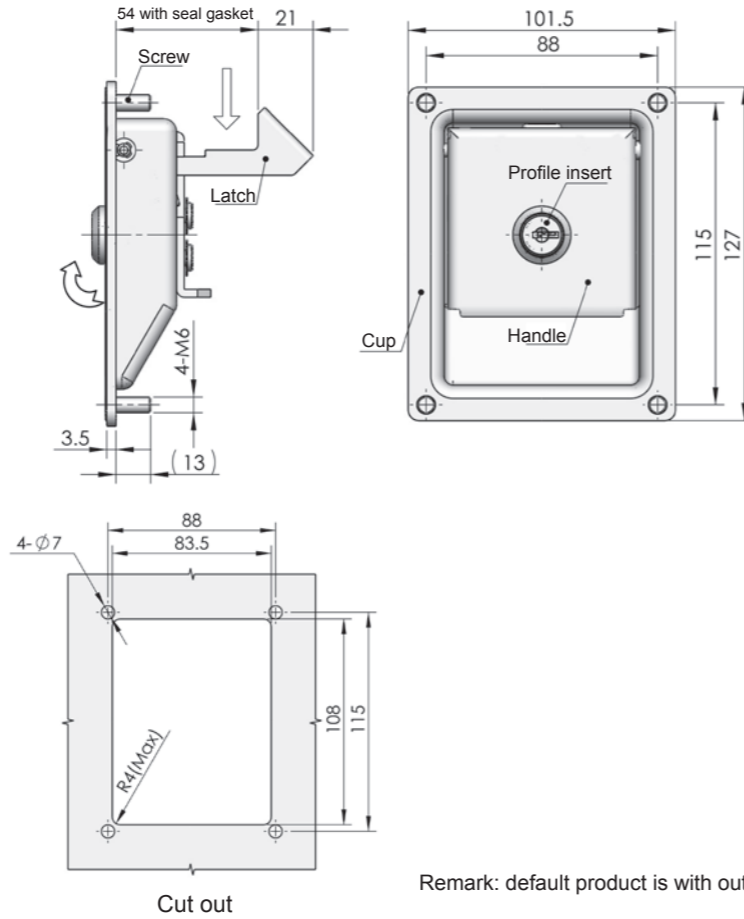
Accessories
Electronic lock
Handle lock
Cylinder lock
Plane lock
Rod control lock
Panel lock
Toggle and hook
Handles
Door stop
Hinge
Seal gasket

Accessories
Electronic lock
Handle lock
Cylinder lock
Plane lock
Rod control lock
Panel lock
Toggle and hook
Handles
Door stop
Hinge
Seal gasket

MS866-6

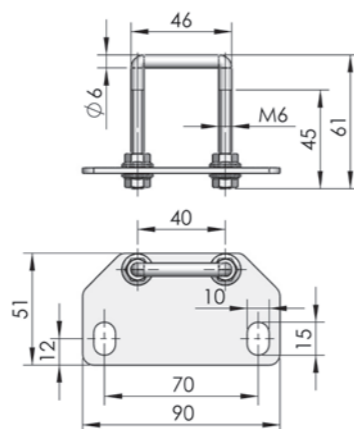


Main material and finish: Silk black steel cup, handle and ZDC profile insert, zinc-plated steel latch, support and weld screw
Remark: Default key K160

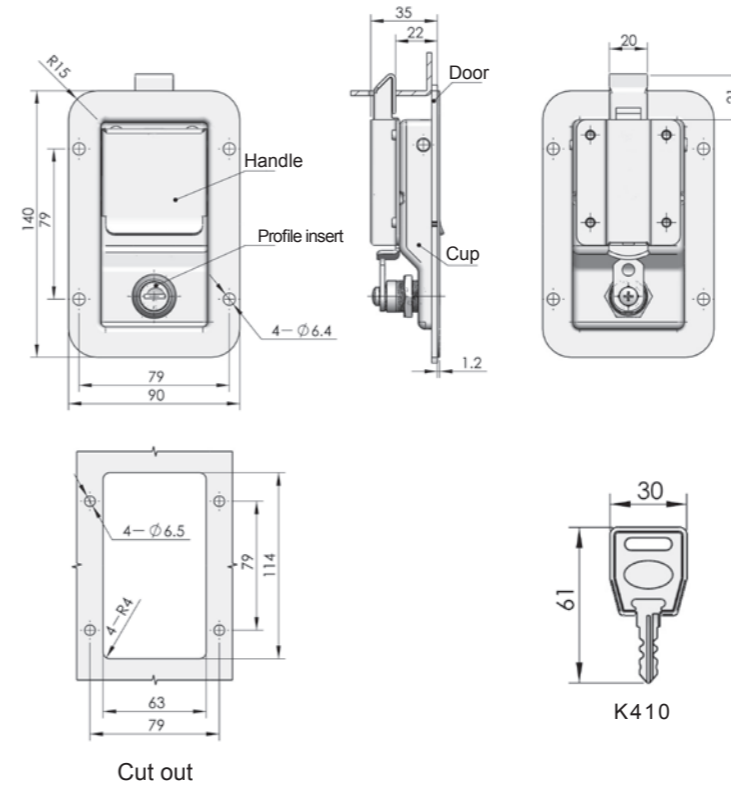


	With insert		Without insert	
	Model	ERP	Model	ERP
H=30.5	MS866-6	MS866F1A160004	MS866-6A	MS866F1A000011
H=43	MS866-6B	MS866F1A160003	MS866-6BA	MS866F1A000010
H=54	MS866-6C	MS866F1A160002	MS866-6CA	MS866F1A000009

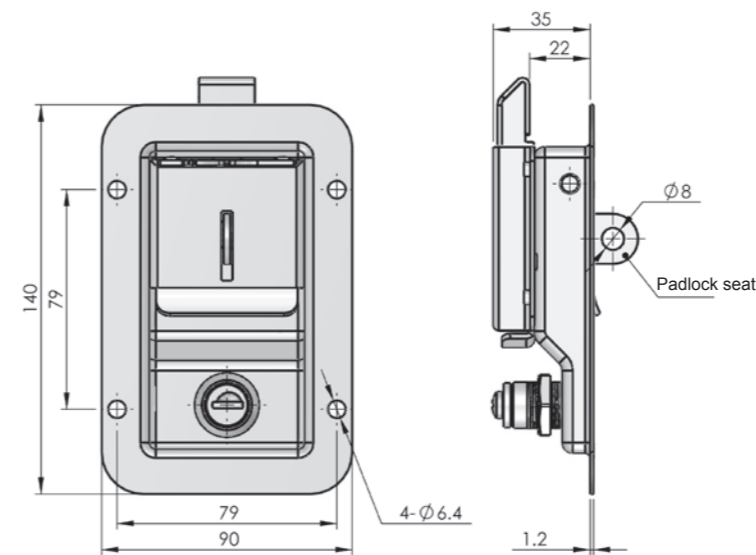
Pull buckle



ERP 2138665001



	MS866-7 With insert	MS866-7A Without insert
ERP	MS866S4A410001	MS866S4A000004



ERP MS866S4A410004

MS866-7



Main material and finish: Stainless steel cup, handle, latch and cam, bright chrome-plated profile insert
Remark: Default key K410

Performance parameter:
Handle load tension capability: ≤150N
Cam loading capability: ≤550N

MS866-7-1P



Main material and finish: Stainless steel cup, handle
Finish: Mirror polished cup and handle

Performance parameter:
Handle load tension capability: ≤150N
Cam loading capability: ≤550N

Accessories
Electronic lock
Handle lock
Cylinder lock
Plane lock
Rod control lock
Panel lock
Toggle and hook
Handles
Door stop
Hinge
Seal gasket

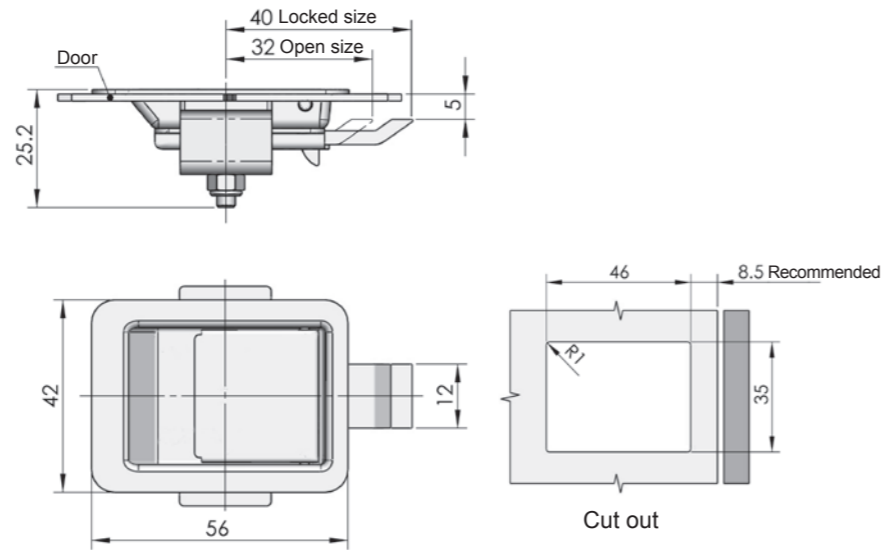
Accessories
Electronic lock
Handle lock
Cylinder lock
Plane lock
Rod control lock
Panel lock
Toggle and hook
Handles
Door stop
Hinge
Seal gasket

MS866-8



Main material and finish: Wire-drawing polished stainless steel

Performance parameter:
Handle load tension capability: ≤50N
Cam loading capability: ≤200N



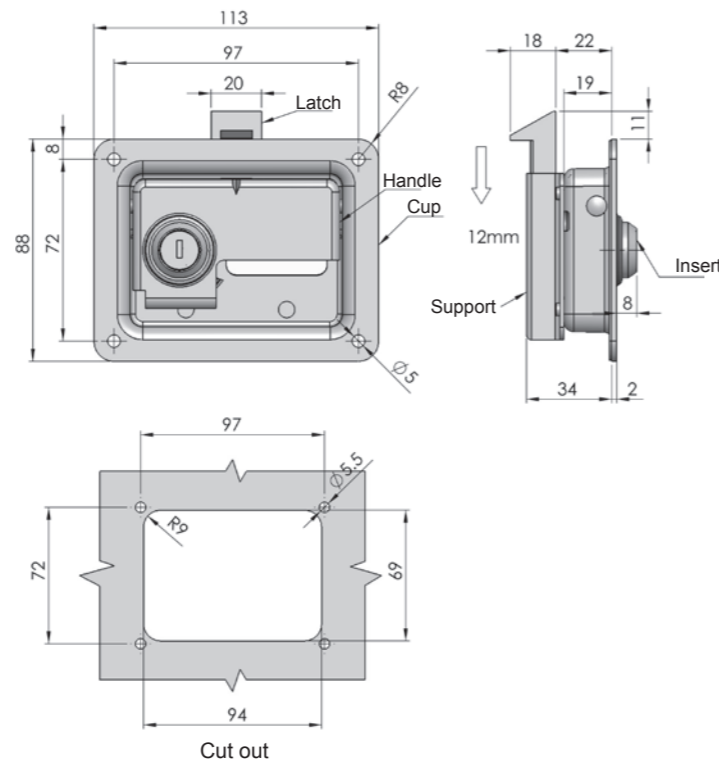
ERP	MS866S4B000001
-----	----------------

MS866-22

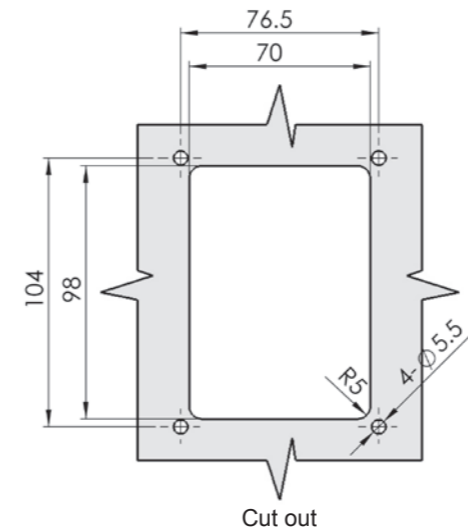
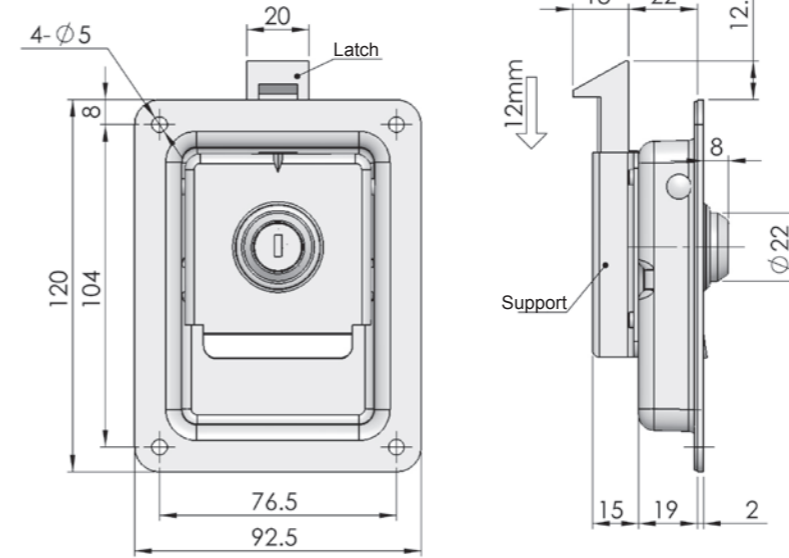


Main material and finish: Mirror polished stainless steel cup and handle (steel in nanometer painting available), white zinc plated latch and support.

Remark: Default key K53
Performance parameter:
Handle load tension capability: ≤200N
Cam loading capability: ≤500N



	MS866-22	MS866-22S
ERP	MS866F2B530002	MS866S4A530002



	MS866-21	MS866-21S
ERP	MS866F2B530001	MS866S4A530001

MS866-21



MS866-21S



Main material and finish: Stainless steel (or steel) cup, handle, white zinc plated latch and support

Remark: Default key K530

Performance parameter:
Handle load tension capability: ≤200N
Cam loading capability: ≤1000N

Accessories
Electronic lock
Handle lock
Cylinder lock
Plane lock
Rod control lock
Panel lock
Toggle and hook
Handles
Door stop
Hinge
Seal gasket

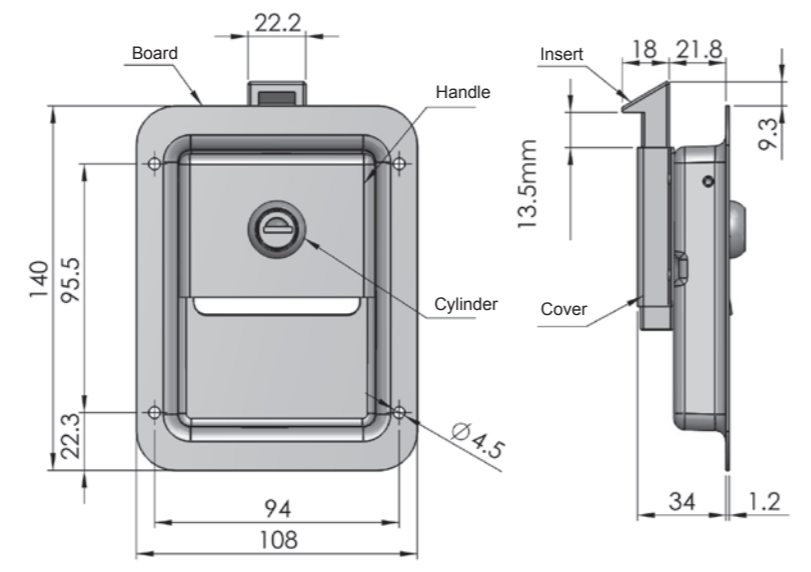
Accessories
Electronic lock
Handle lock
Cylinder lock
Plane lock
Rod control lock
Panel lock
Toggle and hook
Handles
Door stop
Hinge
Seal gasket



MS866-26

Main material: Stainless steel lock body and handle zamak cam, steel cover
Finish: Mirror polished lock body and handle White zinc plated cover and cam
Remark:Optional insert, Key K13

Performance parameter:
 Handle load tension capability: ≤180N
 Cam loading capability: ≤1000N



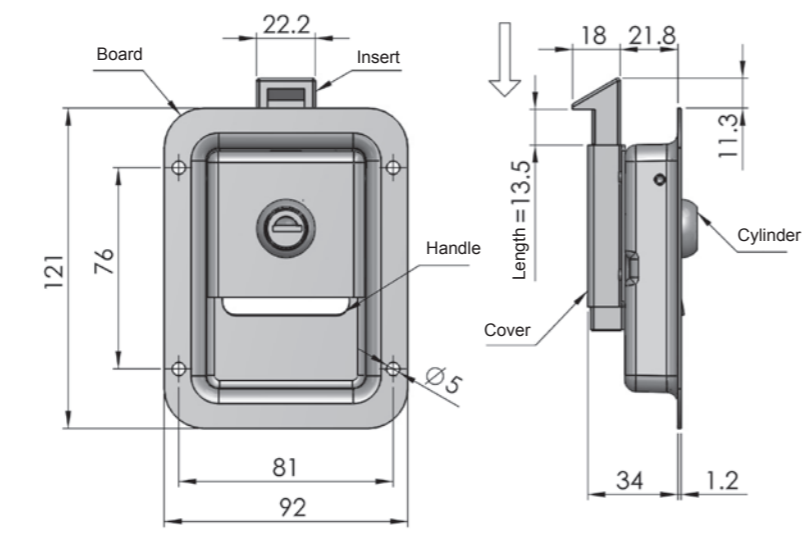
Model	MS866-26	MS866-26A(Without cylinder)
ERP	MS866S4A130001	MS866S4A000007



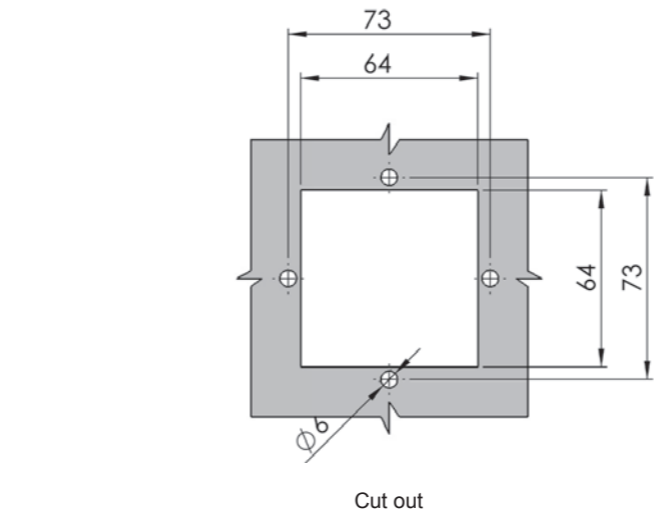
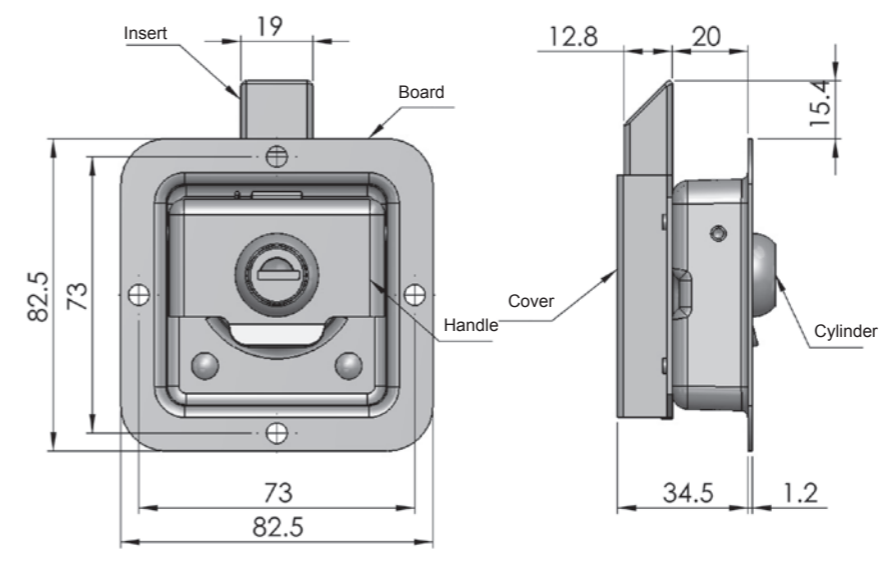
MS866-27

Main material: Stainless steel handle and lock body Zamak cam, steel cover
Finish: Mirror polished handle and lock body, white zinc plated steel cam
Remark:Optional insert, Key K13

Performance parameter:
 Handle load tension capability: ≤180N
 Cam loading capability: ≤1000N



Model	MS866-27	MS866-27A(Without cylinder)
ERP	MS866S4A130003	MS866S4A000008



Model	MS866-28	MS866-28A(Without cylinder)
ERP	MS866S4A130002	MS866S4A000009



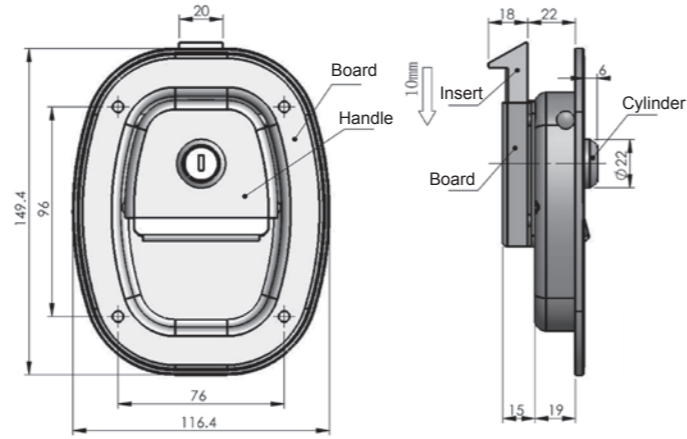
MS866-28

Main material: Stainless steel handle and lock body zamak cam, steel cover
Finish: Mirror polished handle and lock body white zinc plated cam and cover
Remark: Optional insert, default key K13

Performance parameter:
 Handle load tension capability: ≤180N
 Cam loading capability: ≤1000N

Accessories
Electronic lock
Handle lock
Cylinder lock
Plane lock
Rod control lock
Panel lock
Toggle and hook
Handles
Door stop
Hinge
Seal gasket

MS866-29

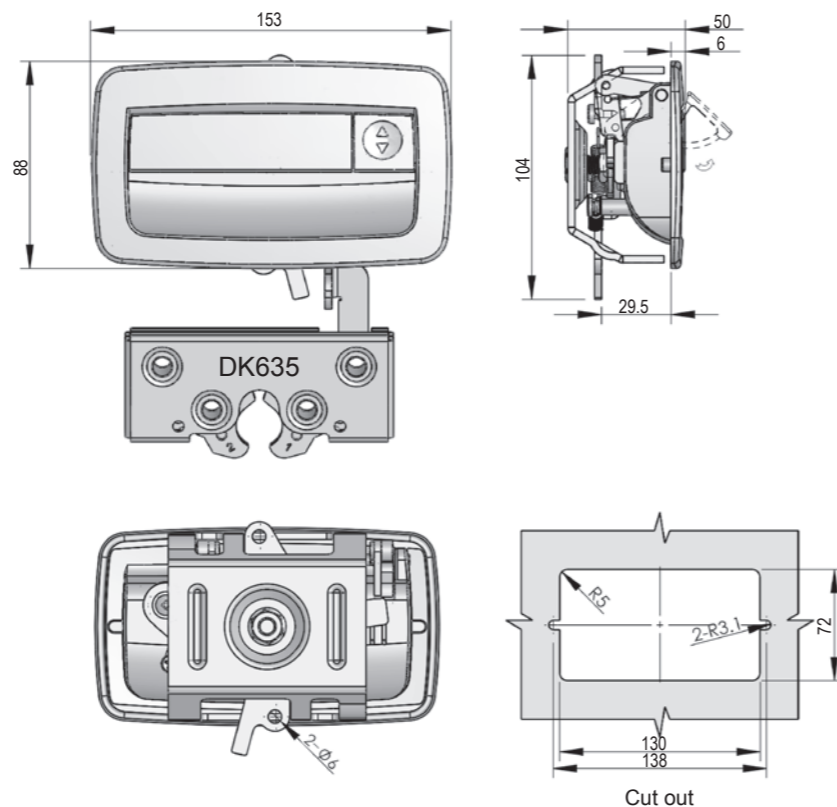


Main material: Stainless steel lock body and handle Zamak cam, insert, others are steel
Finish: Mirror polished handle and lock body, Bright chrome plated insert housing, other parts in steel with white zinc plated
Remark: Default key K53

Performance parameter:
 Handle load tension capability: $\leq 200N$
 Cam loading capability: $\leq 1000N$

ERP MS866S4A530005

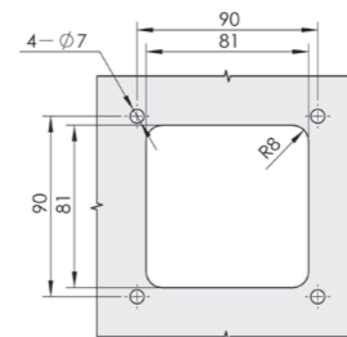
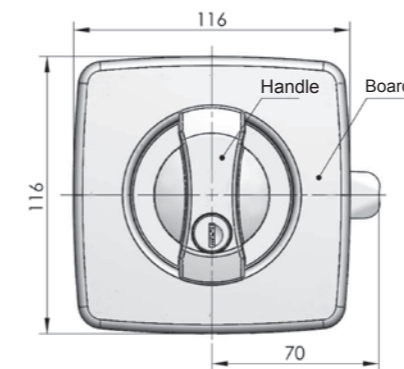
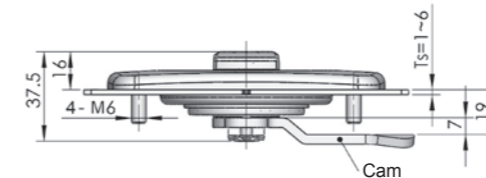
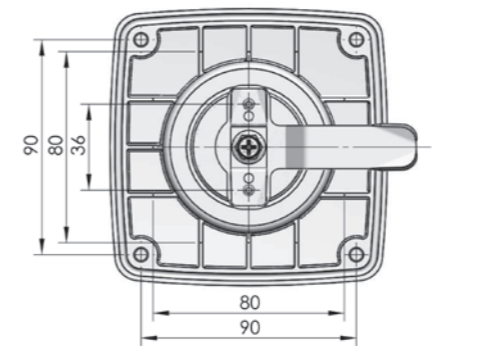
MS983



Material and finish: Silk black ZDC housing and handle
Application: Pull the handle to make cam rotating, latch toggling and rod stretching to realize opening and closing function. (Default latch DK635)
Remark: Default key K640

Performance parameter:
 Handle load tension capability: $\leq 845N$

ERP MS983Z2A640002



Cut out

Description	□ □ □ □	ERP
ZDC panel and handle	MS870-2	MS870Z1B160001
PA panel and handle	MS870-2F	MS870N00160001
PA panel, ZDC handle	MS870-3	MS870N00160002

Remark: The default cam for above ERP is S3C7007

MS870-2



RL

Finish: White zinc plated support
Remark: Default key K160

Cam ERP: 2883700701 (Default)

Performance parameter:
 Handle load torque capability: $\leq 28N.m$
 Cam loading capability: $\leq 390N$

Accessories
Electronic lock
Handle lock
Cylinder lock
Plane lock
Rod control lock
Panel lock
Toggle and hook
Handles
Door stop
Hinge
Seal gasket

Accessories
Electronic lock
Handle lock
Cylinder lock
Plane lock
Rod control lock
Panel lock
Toggle and hook
Handles
Door stop
Hinge
Seal gasket

TOGGLE AND HOOK SERIES

Accessories
Electronic lock
Handle lock
Cylinder lock
Plane lock
Rod control lock
Panel lock
Toggle and hook
Handles
Door stop
Hinge
Seal gasket

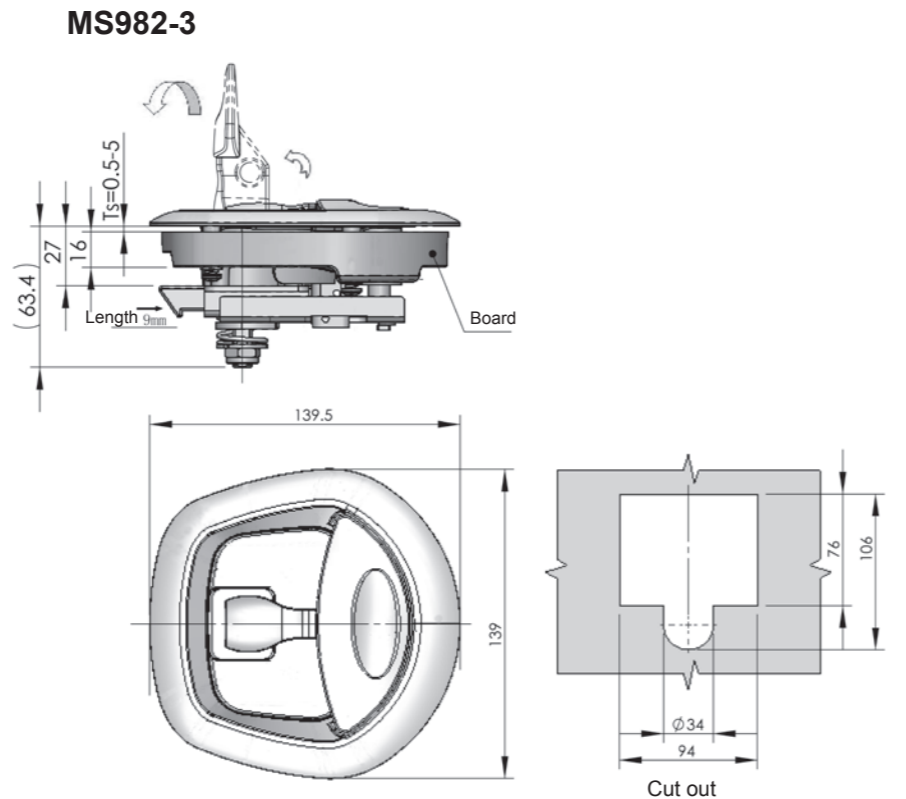
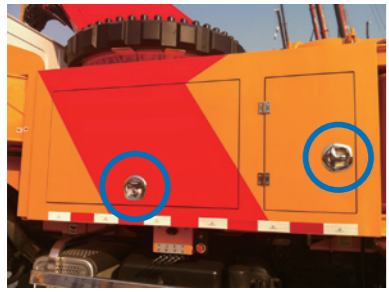


IP65

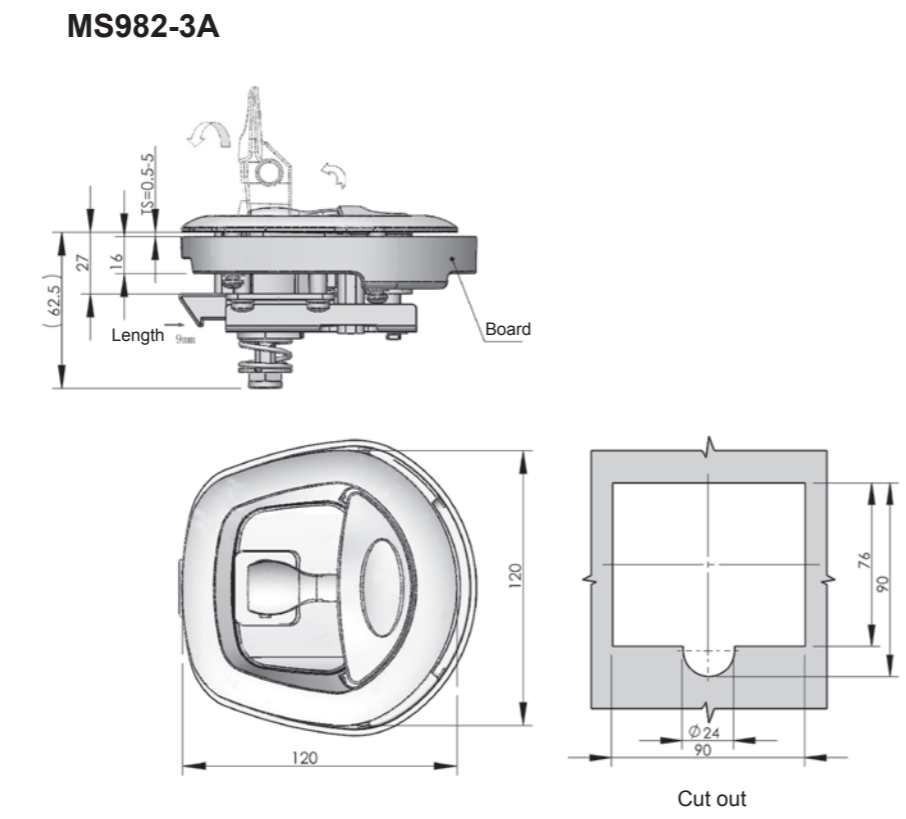
Material:ZDC housing and handle
Finish : Bright chrome plated
Structure :Pull and turn the handle 90 degree, along with the cam,Closing the door by hitting when the lock is on the close status

Performance parameter:
MS982-3
Handle load torque capability: $\leq 31N.m$
Cam loading capability: $\leq 4000N$
MS982-3A
Handle load torque capability: $\leq 39N.m$
Cam loading capability: $\leq 2000N$

Application example



ERP MS982Z3A520003



ERP MS982Z3A520004

DKS	DK601	DK602	DK603
DK604	DK605	DK606	DK609
DK610	DK611	DK615	DK617
DK618	DK623	DK624	DK634
DK635	DK636-1	DK639	DK725-3B