



风扇产品

FANS - 2021

宁波生久集团有限公司
SHENGJIU GROUP CO.,LTD

宁波生久集团有限公司

SHENGJIU GROUP CO.,LTD

地址 (ADD) : 浙江省宁波市余姚市大隐工业区生久路1号
Dayin industrial district,ningbo city,china

电话 (TEL) : 0574-6291 3888

传真 (FAX) : 0574-6291 4008

邮编 (P.C) : 315423

E-mail: MK@shengjiu.com

网址 (WEB) : www.shengjiu.com



公司简介 / Shengjiu Introduction

宁波生久集团散热产品线,于2013年将研发,生产,品管等独立运营,全公司主要采用台式管理模式,拥有生产厂房7500平方米,办公区200平方米,主要产品以DC及EC散热风扇产品为主,为客户提供优质的散热解决方案。

生久散热科技拥有ISO9000,ISO14000,UL, TUV, CE等多项认证,实验室除了是UL及TUV的目击实验室外,设备部分有风洞,无响室,音频及震动频谱分析,扭矩测功仪,Rohs检测,Hal加速老化寿命试验及完整的可靠度检测设备。更拥有专业齐全的研发团队,研发中心涵盖宁波研发中心,深圳研发中心及台湾研发中心,可为客户提供快速就近及高质量的技术服务支持。

生久以服务客户为第一宗旨,营销与服务网络遍布全球各地,目前在中国大陆拥有10个销售公司,30家销售代理商和十多家海外分支机构,可以提供便捷快速的方式满足客户不同的需求。

生久人肩负“创造客户价值,成就员工未来”的使命,以创新和服务求生存,励精图治,为实现“建百年生久,创世界品牌”的远景而努力拼搏。

Fan product line of Ningbo Shengjiu group, In 2013, it will operate independently, such as R & D, production and product management. The company has the main platform management mode, with 7500 square meters of production plant and 200 square meters in office area. The main products are AC, DC and EC cooling fan, providing customers with high quality heat dissipation solution Plan.

Shengjiu Thermal dissipation technology has ISO9000, ISO14000, UL, TUV, CE and other certification. In addition to the certification laboratory of UL and TUV, the laboratory is equipped with wind tunnel, no noise room, audio and vibration spectrum analysis, torque dynamometer, Rohs detection, Halt accelerated aging life test and complete reliability testing equipment. More professional research and development team, R & D center covering Ningbo R & D center, Shenzhen R & D center and Taiwan R & D center, can provide customers with rapid and high quality technical services. To serve customers for a long time, the marketing and service network is all over the world. At present, there are 10 sales companies, 30 sales agents in mainland china, and more than 10 overseas branches, which can provide more convenient and rapid ways to meet the different needs of customers.

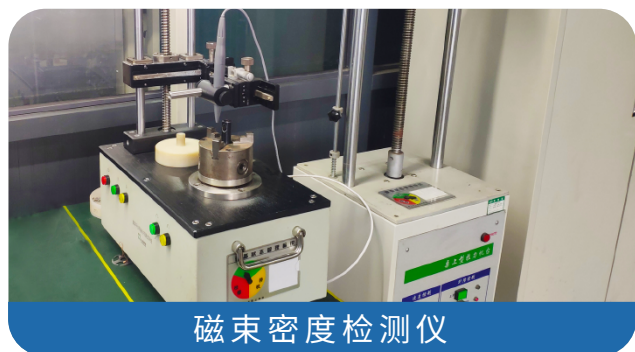
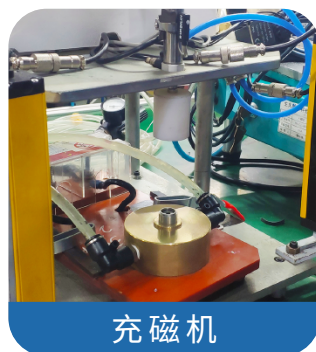
For a long time, people shoulder the mission of “creating customer value, achieving the future of the employees”, seeking survival with innovation and service, and working hard to achieve the vision of “Century SJ, World Brand”.



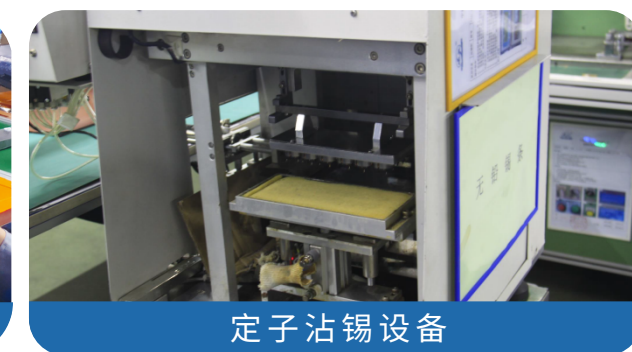
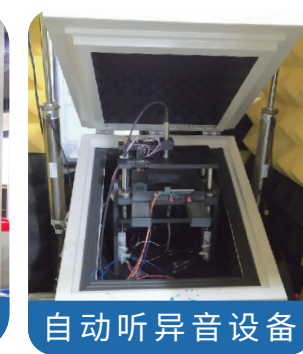
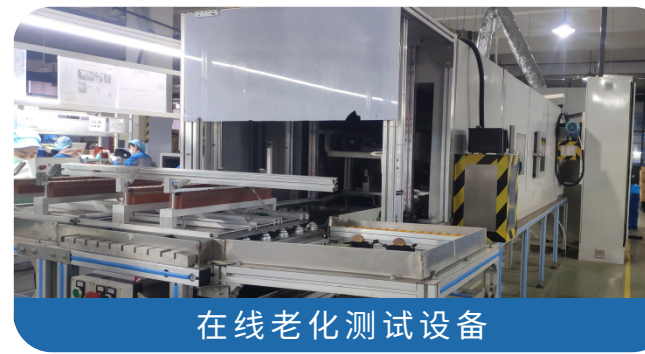
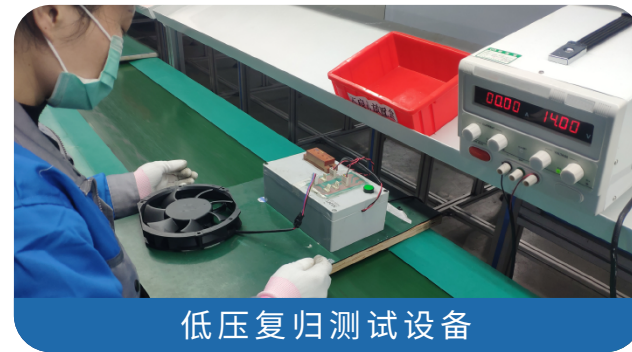
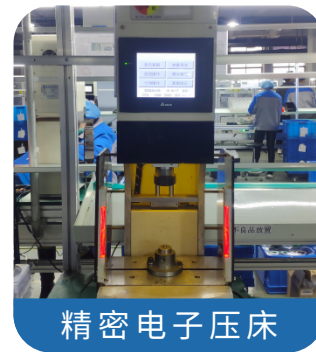
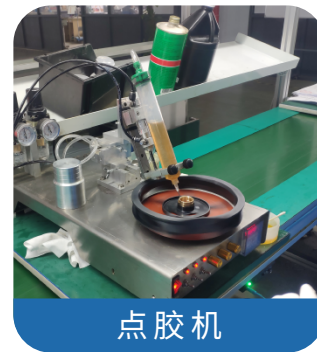
生产检测流程

FAN PRODUCTION PROCESS

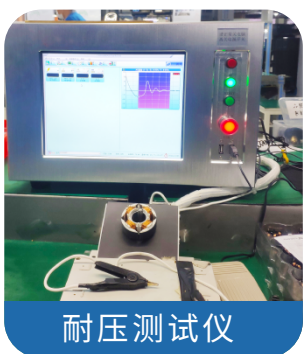
扇叶组 / Fan blade group



组装组 / Motor group



马达组 / Motor group



检测组 / Test group



风洞试验机



无响室



高温老化设备



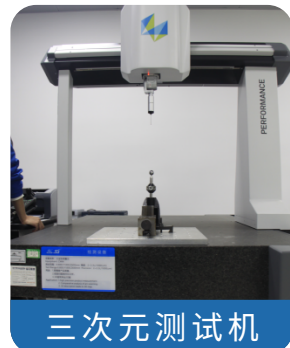
恒温恒湿测试箱



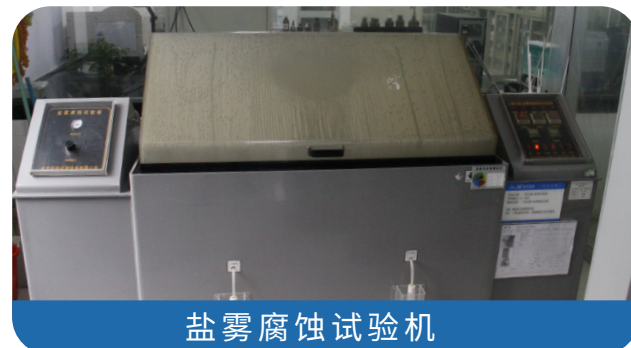
冲击试验箱



振动试验机



三维测试机



盐雾腐蚀试验机



X-RAY设备



防水试验机



沙尘测试箱

资质展示 / Patent display



TUV实验室认证



IATF16949证书



UL实验室认证

生久散热科技拥有ISO9000、ISO4000、UL、TUV、CE等多项认证,实验室除了是UL及TUV的目击实验室外,设备部有风洞、无响室、音频及震动频谱分析、扭矩测功仪、Rohs检测、Halt加速老化寿命实验及完整的可靠检测设备等等。



专利墙
用专利技术引领行业市场
Patent Technology



目录 / Contents

技术资料 Technical information	01
型号编码 Model identification system	02
目录指南 Catalog guidance	03
风扇可选功能 Fan optional function	04-06
轴流风扇操作 Axial fans for DC operation	07-08
轴流风扇 DC Fan	09-48
金属防护网 Metal finger guards	49-50

技术资料

Technical information

公司简介/ Company Introduction

宁波生久集团是一家集料、工、贸于一体的综合性电子制造企业。

生久有一支专业、敬业的设计团队，致力于风扇和其他电子产品的设计与开发。从产品与模具设计、制造及生产，对每一个环节和工序都进行严格的检测和管控。

生久人视质量为生命，而质量也一直是生久赖以生存和发展的基础，生久始终抱着质量第一、服务第一的理念，为解决客户技术难题提供多种解决方案，满足客户的不同需求，同事不断提升自身竞争力，按时、保质、保量为客户提供产品，实现客户与生久的双赢。

Ningbo shengjiu group CO.,LTD is a comprehensive electronics manufacturing enterprise integrating R&D, industry and trading, shengjiu has cultivated a professional and dedicated R&D team, We dedicate in deneloping main principle products, such sa electrical Fan ang other electronic products, We design product base on daring ideas and acquire the up-to-date information locally and abroad keenly.

Shengjiu regards quality as lifeline, We always concentrate on "Service fiest, quality first" to get more benefit for customer, We also proves the company's internal competition, and procides the outstanding pouducts to customer on time. Eventually achieve a win-win target.

风扇范围/ Range of fans

生久为你提供外型尺寸从20mm到220mm的直流风扇。

Shengjiu offers you the widest full product line of DC axial: From 20mm to 220mm in size.

保护等级/ Protection Class

所有风扇产品均可达到IP20等级，根据客户的需求设计最高防护等级可达到IP68或其他特殊要求。

All Shengjiu fans conform to the requirements of protectionclass IP20. And according to customer demand for the IP level to IP68 or other special requirements.

电压范围/ Voltage Range

生久直流风扇额定电压范围是5V~48V (详细内容请参考技术资料介绍)

Shengjiu DC fan reted voltage range from DC 5V to 48V, (see voltage range in the technical tables)

信号输出及输入/ Signal Output& Input

生久风扇可以提供RD, FG输出和PWM信号输入，以及极性保护和绝缘阻抗保护。

Shengjiu fan can provide RD, FG OUTPUT and PWM signal input, with polarity protection, insulation impedance protection

产品寿命/ Product expectancy

直流风扇一个突出的技术特点是其可靠令人信服的产品寿命。双滚珠轴承在环温40°C时可达70000小时

A distinctive feature of DC fan techonlogy is the convincingly high product life expectancy. Double nearing fans life of can be reached 70000 hours at 40 degree ring temperature

型号编码

Model identification system

S	A	48	17	51	B	H	A	F	R	0	0	1
I	II	III	IV	V	VI	VII	VIII	IX	X		XI	

I 风扇类型/ Fan Classification

S: 轴流风扇/ Axial Fan
 B: 鼓风机/ Blower
 C: 横流风扇/ Cross Fan

II 风扇版本/ FAN Type Rev

版本从“A”到“Z”/ Define it from “A” to “Z”

III 输入电压/ Input Voltage

03:3.3V 05:5V 12:12V 24:24V 48:48V
 60:60V A1:115 B2:230 C3:380V etc...

IV 外形尺寸/ Dimension

02:25mm 04:40mm 60:06mm 09:92mm
 12:120mm 13:127mm 17:172mm etc...

V 厚度/ Thickness

07:7mm 10:10mm 25:25mm 28:28mm
 A0:100mm A1:110mm B0:200mm etc...

VI 轴承类型/ Bearing Type

A: 单滚珠轴承/ One ball bearing C: 陶瓷轴承/ Ceramic
 B: 双滚珠轴承/ Two ball bearing G: 空气轴承/ Air bearing
 R: 液压轴承/ Hydraulic bearing S: 含油轴承/ Sleeve bearing
 T: 单滚珠单含油/ One ball and one sleeve bearing

VII 转速/ Rotating Speed

G: 极限转速/ Extreme Speed F: 极高转速/ Superhigh Speed
 S: 超高转/ Ultra High Speed U: 高高转/ Extra High Speed
 H: 高转/ High Speed M: 中转/ Medium Speed
 L: 低转/ Low Speed E: 极低转/ Extra Low Speed
 X: 超低转/ Ultra Low Speed

VIII 信号类型/ Control Type

-: 一般控制/ General Control C: 自动重启/ Autorestart
 D: 数字控制/ Digital Control A: 脉冲控制/ PWM Control
 S: 传感器控制/ Sensor Control E: 节能风扇/ EC Fan
 V: 电压控制/ Voltage Control
 Z: 正反转/ Normal-Reverse Transfer
 M: 正反转+脉冲控制/ Normal-Reverse Transfer+PWM
 P: 脉冲+传感器控制/ PWM+Sensor Control
 1-9 etc...: 芯片类型

IX 信号输出/ Signal output

N: 无信号输出/ NA (No Signal Output)
 F: 转速信号/ FG (Frequency Generator Or Tach Output)
 R: 报警信号/ RD (Rotation Detector) T: 端子式/ (Terminal)
 C: 温度控制/ (Temperature Sensor) L: 导线式/ (Leadwire)

X 环保类型/ RoHs Type

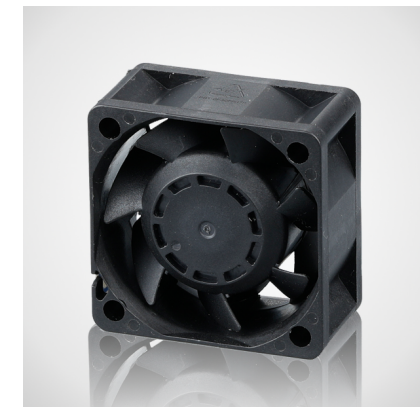
R: RoHs H: 无卤/ HF N: 无 N/A

XI 流水码/ Water Code

版本从“001”到“999”/ Define it from “001” to “999”

目录指南

Catalog guidance



轴流风扇 DC AXIAL FANS
 系列 / Series 40 40x40x20mm A

* 材质: 扇叶和扇框为塑胶材质, (等级UL94V-0)
 * Material: Impeller & Frame Plastic (UL94V-0)
 * 导线: UL 1061 AWG #26
 * Lead Wires: UL 1061 AWG #26
 * 扇叶: 7片
 * Impeller: 7 Blades
 * 旋转方向从扇叶面正视为逆时针方向
 * Rotational direction CCW view from impeller side
 * 重量: 32g
 * Mass: 32g

产品分类

Product classification

展示产品的分类(轴流风扇/鼓风机)以及外形尺寸等信息。
 Display the product classification (axial fan / blower) and dimensions.

产品描述

Product description

介绍风扇零件的材质、叶片数、扇叶的旋转方向及风扇的重量。
 This paper introduces the material of fan parts, the number of blades, the rotating direction of fan blades and the weight of fan.

产品特点

Product features

介绍风扇的基本特性, 包括速度、电压最大流量和压力, 噪声和其他参数。
 This paper introduces the basic characteristics of the fan, including speed, voltage, maximum flow and pressure, noise and other parameters.

产品规格

Product specifications

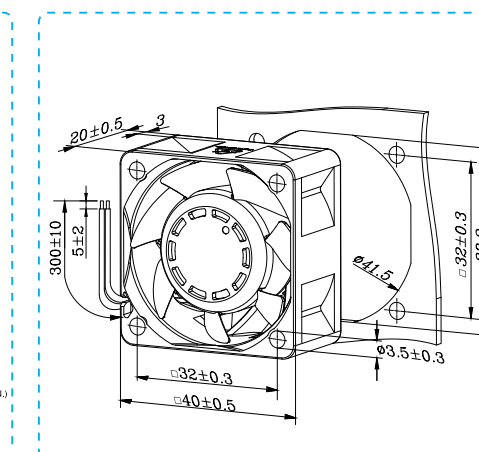
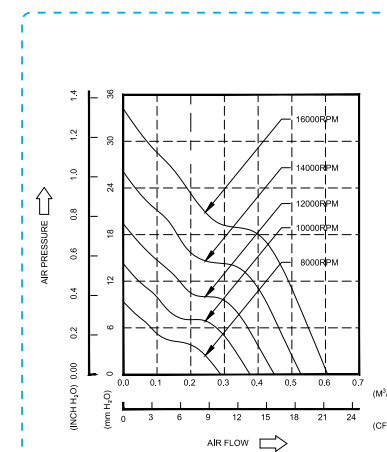
展示风扇的外形尺寸, 螺孔和安装尺寸。
 Show the overall dimensions, screw holes and installation dimensions of the fan.

性能曲线

Performance curve

反映在额定转速时风扇的性能。
 The performance of the fan is reflected in the rated passenger speed.

型号 / MODEL	轴承类型	额定电压	电压范围	额定电流	额定输入功率	转速	最大流量	最大静压	噪音		
PART NO.	B.S	VDC	VDC	Amp	Watt	RPM	CFM	"m ³ /H"	mmH2O	"IN H2O"	dB-A
SA120420-L	B	12	7~13.2	0.12	1.44	8000	10.2	17.3	9.35	0.37	37.8
SA120420-M	B	12	7~13.2	0.15	1.80	10000	13.3	22.5	14.25	0.56	42.6
SA120420-H	B	12	7~13.2	0.24	2.88	12000	15.8	26.9	19.38	0.76	47
SA120420-U	B	12	7~13.2	0.35	4.20	14000	18.6	31.6	26.06	1.03	50
SA120420-S	B	12	7~13.2	0.52	6.24	16000	21.4	36.4	34.17	1.35	52.4







风扇可选功能

Fan optional function

轴流风扇/ Axial Fans

产品系列 Series	尺寸&轴承类型 Dimensions	   				页码 PAGE
		FG信号/SIGNAL	RD信号/SIGNAL	PWM控制/CONTROL INPUT	IP等级/ IP ≥ IP54	
	mm	OPTIONAL				P
3010A	30X30X10 ■	●	●	●	●	09
4010A	40X40X10 ■	●	●	●	●	10
4015A	40X40X15 ■	●	●	●	●	11
4020A	40X40X20 ■	●	●	●	●	12
4028A	40X40X28 ■	●	●	●	●	13
4028B	40X40X28 ■	●	●	●	●	14
4028D	40X40X28 ■	●	●	●	●	15
4028E	40X40X28 ■	●	●	●	●	16
4056B	40X40X56 ■	●	●	●	●	17
5015A	50X50X15 ■	●	●	●	●	18
5020A	50X50X20 ■	●	●	●	●	19
6025A	60X60X25 ■	●	●	●	●	20
6025D	60X60X25 ■	●	●	●	●	21
6038B	60X60X38 ■	●	●	●	●	22
6056A	60X60X56 ■	●	●	●	●	24
7025A	70X70X25 ■	●	●	●	●	25
8015A	80X80X15 ■	●	●	●	●	26
8025A	80X80X25 ■	●	●	●	●	27
8025B	80X80X25 ■	●	●	●	●	28
8025C	80X80X25 ■	●	●	●	●	29
8032A	80X80X32 ■	●	●	●	●	30
8038A	80X80X38 ■	●	●	●	●	31

产品系列 Series	尺寸&轴承类型 Dimensions	   				页码 PAGE
		FG信号/SIGNAL	RD信号/SIGNAL	PWM控制/CONTROL INPUT	IP等级/ IP ≥ IP54	
	mm	OPTIONAL				P
8038B	80X80X38 ■	●	●	●	●	32
8038D	80X80X38 ■	●	●	●	●	33
8056A	92X92X56 ■	●	●	●	●	34
9225A	92X92X25 ■	●	●	●	●	35
9225D	92X92X25 ■	●	●	●	●	36
9238A	92X92X38 ■	●	●	●	●	37
9733A	97X94X33 ■	●	●	●	●	38
12025C	120X120X25 ■	●	●	●	●	39
12025D	120X120X25 ■	●	●	●	●	40
12025E	120X120X25 ■	●	●	●	●	41
12038E	120X120X38 ■	●	●	●	●	42
12038F	120X120X38 ■	●	●	●	●	43
12038G	120X120X38 ■	●	●	●	●	44
12038I	120X120X38 ■	●	●	●	●	45
14038C	140X140X38 ■	●	●	●	●	46
17225A	172X150X25 ■	●	●	●	●	47
17251C	172X150X51 ■	●	●	●	●	48
17251D	Φ172X51 ■	●	●	●	●	49

备注: --不可用/NOT YET AVAILABLE ●可用/AVAILABLE □含油轴承类型/SLEEVE BEARING ■滚珠轴承类型/BALL BEARING



本公司已通过七大体系认证

风扇可选功能

Fan optional function

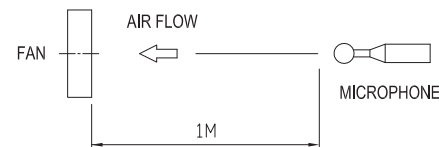
说明/ Note

1. 噪声测试/ Noise test

噪声测试是在半消音室中, 风扇处于自由空气中, 在额定电压下进风面距离麦克风1米处, 测试标准参考ANSI-SI12.10

The noise test is conducted in a semi anechoic room, the fan is in free air, and the air inlet surface is 1 m away from the microphone under rated voltage. The test standard refers to ansi-si12.10

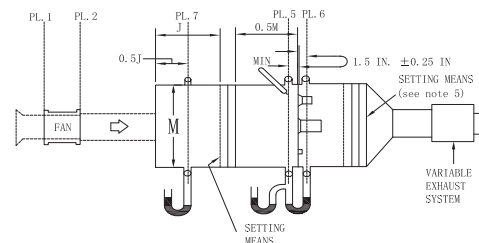
- 半消音室的标准/ Standard for semi anechoic room
- 参考标准/ Reference standard
- 背景噪音/ Background noise
- 最低截取频率/ Minimum intercept frequency



2. 风洞测试/ Wind tunnel

风扇性能测试包括流量计压力是在额定电压下, 在如下设备上测试, 标准参考AMCA 210

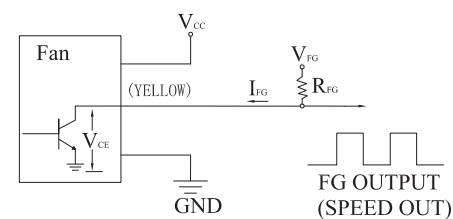
Fan performance test includes flow meter pressure test at rated voltage on the following equipment, standard reference AMCA 210



3. 转速输出信号/ Frequency Generator(FG)

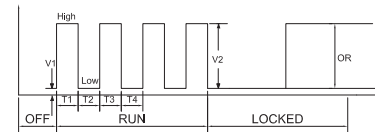
FG(Frequency Generator)Signal External Circuit:Open-collector output for rotation frequency detection

Note:Max.V_{FG}=V_{CC} V_{DC},MAX.I_{FG}=5ma,==>R_{FG}>=V_{FG}/I_{FG}
We recommend R_{FG}=10千欧



FG(Frequency Generator)Type output waveform:

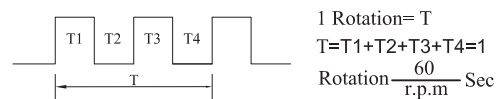
- 1.Motor Rotatong Condition(at 25°C, V=V_{CC} V_{DC})
V1:within 0.7V when I_{FG} less Than 3mA
V2: FG signal output High voltage,
V_{FG} Maximum Voltage=V_{CC}Duty-T1/(T1+T2)x100=5015%
V1_V2 rise time:less than1.0ms
V2_V1 fall time:less than1.0ms
- Rotation Speed (RPM)=(60/2)x fFG=30x fFG
fFG :frequency of FG output waveform(Hz)



2.Motor locked condition(at V_{CC})

Output is fixed at low or high when motor is locked.

4 Pole Motor: Fan with 4 pole motor



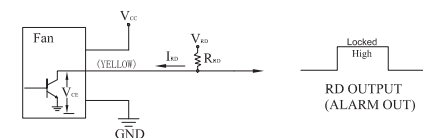
4. 转速报警信号/ Rotation Detector(RD)

RD(Rotation Detector)Signal External Circuit:

Open-collector output for rotation alarm detection

Note:Max.V_{RD} =V_{CC},Max.I_{RD} =5mA, ==> R_{RD}>=V_{RD}/I_{RD}

We Recommend R_{RD}= 10千欧

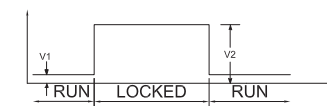


RD(Rotate Detection)Type Output Waveform:

- 1.Motor Rotating Condition(at 25°C, V-V_{CC})
V1:within0.7V when I_{RD} lessThan 3mA
V2:RD signal output High voltage,V_{RD} Maximum Voltage=V_{CC}

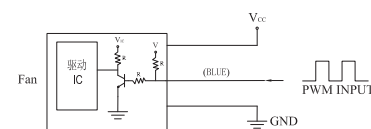
2.Motorlocked condition(at V_{CC})

Output is fixed at high when motor is locked.

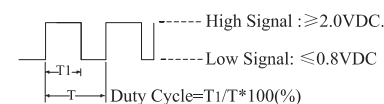


5.脉冲控制信号/ Pulse Width Modulation (PWM)

PWM Circuit:(for reference)



PWM Control Signal Input:range:Signal Voltage DC 0V~5.5V(V=5V)



轴流风扇操作

Axial Fans for DC operation

流体性能概述/ Overview of air performance

产品系列 Series

尺寸 Dimensions

产品系列 Series	尺寸 Dimensions	CFM															
		1	10	20	30	40	50	60	70	80	90	100	200	300	400	600	
□ 3010A	3.1~6.64																
□ 4010A	5.14~9.71																
□ 4015A	7.8~18.6																
□ 4020A	10.2~21.4																
□ 4028A	11.8~27.2																
□ 4028B	9.4~23.1																
□ 4028D	11.2~26.5																
□ 4028E	13.4~33.4																
□ 4056B	28.26~37.95																
□ 5015A	13.5~20.3																
□ 5020A	17.39~28.92																
□ 6025A	17.9~42.2																
□ 6025D	28.15~46.92																
□ 6038B	40.9~83.3																
□ 6056A	64.84~86.16																
□ 7025A	23.7~51.7																
□ 8015A	32.1~47.15																
□ 8025A	66.1~102.4																
□ 8025B	38.7~59.3																
□ 8025C	44.4~82.1																
□ 8032A	56.2~97.1																

备注: □方框 ○圆框 ○椭圆框

轴流风扇操作

Axial Fans for DC operation

流体性能概述/ Overview of air performance

产品系列 Series 尺寸 Dimensions

	CFM	1	10	20	30	40	50	60	70	80	90	100	200	300	400	600
□ 8038A	98.36~147.55															
□ 8038B	50.4~113.4															
□ 8038D	91.22~133.56															
□ 8056A	102.4~130.7															
□ 9225A	75.4~125.4															
□ 9225D	90.1~93.1															
□ 9238A	71.5~184.7															
○ 9733A	32.4~38.9															
□ 12025C	93.3~140.1															
□ 12025D	71.2~121.3															
□ 12025E	99.0~181.6															
□ 12038E	172~266.6															
□ 12038F	139.6~222.0															
□ 12038G	131.3~197.0															
□ 12038I	131.5~205.5															
□ 14038C	235~340															
◎ 17225A	162.8~264.2															
◎ 17251C	355~530															
◎ 17251D	~517.2															

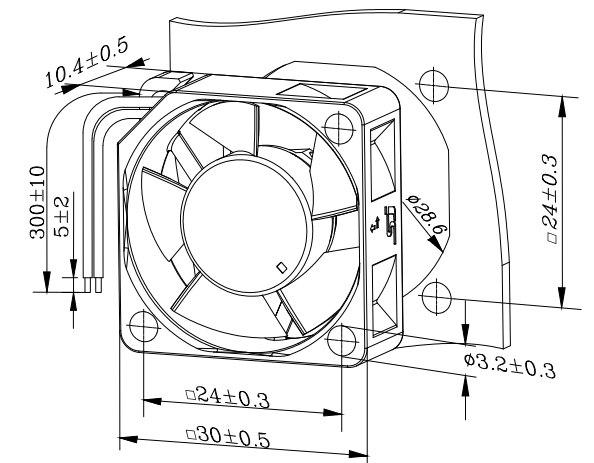
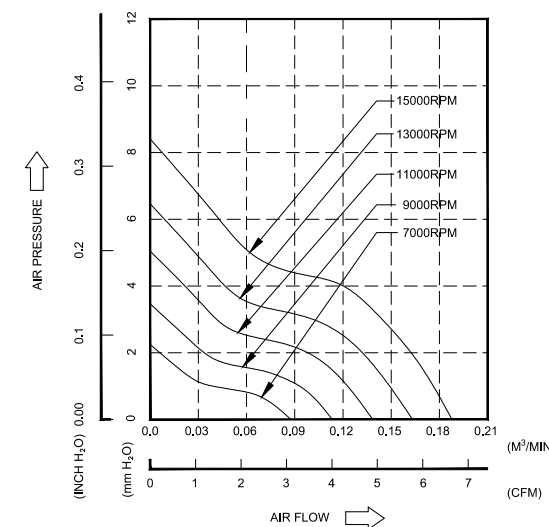
备注: □方框 ○圆框 ◎椭圆框

轴流风扇 DC AXIAL FANS
系列 / Series 30 30x30x10mm A

- *材料:扇叶和扇框为塑胶材质 (等级UL94V-0)
- *Material: Impeller & Frame Plastic(UL94V-0)
- *导线: UL 1061 AWG#28或同等级
- *Lead Wires: UL 1061 AWG#28 or 同级品Equivalent
- *扇叶:5片
- * Impeller:5 Blades
- *旋转方向从扇叶面正视时为逆时针方向
- *Rotational direction CCW view from impeller side
- *重量:9g
- *Mass:9g



型号 / MODEL	轴承类型	额定电压	电压范围	额定电流	额定输入功率	转速	最大流量		最大静压		噪音
PART NO.	B.S.R	VDC	VDC	Amp	Watt	RPM	CFM	m ³ /H	mmH ₂ O	IN H ₂ O	dB-A
SA120310-L	B.R	12	7~13.2	0.06	0.72	7000	3.10	5.26	2.25	0.09	26.8
SA120310-M	B.R	12	7~13.2	0.07	0.84	9000	4.01	6.81	3.47	0.14	32.0
SA120310-H	B.R	12	7~13.2	0.09	1.08	11000	4.90	8.32	5.04	0.20	37.4
SA120310-U	B.R	12	7~13.2	0.12	1.44	13000	5.77	9.80	6.46	0.25	41.3
SA120310-S	B.R	12	7~13.2	0.16	1.92	15000	6.64	11.28	8.40	0.33	44.9



轴流风扇 DC AXIAL FANS
系列 / Series 40 40x40x10mm A

- *材质: 扇叶和扇框为塑胶材质, (等级UL94V-0)
- *Material: Impeller&Frame Plastic(UL94V-0)
- *导线: UL 1061 AWG #26
- *Lead Wires: UL 1061 AWG#26
- *扇叶: 7片
- *Impeller: 7 Blades
- *旋转方向从扇叶面正视时为逆时针方向
- *Rotational direction CCW view from impeller side
- *重量: 18g
- *Mass: 18g



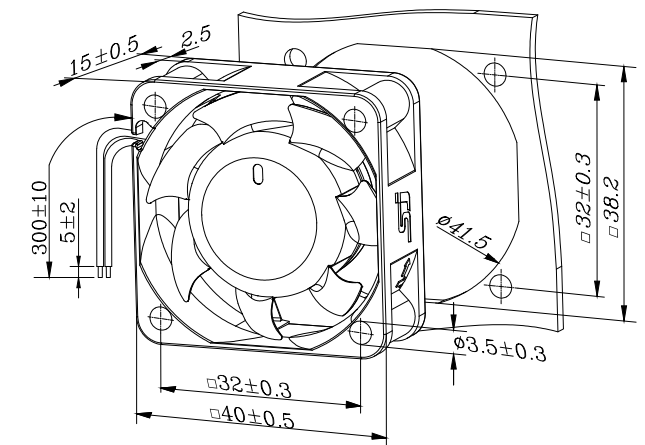
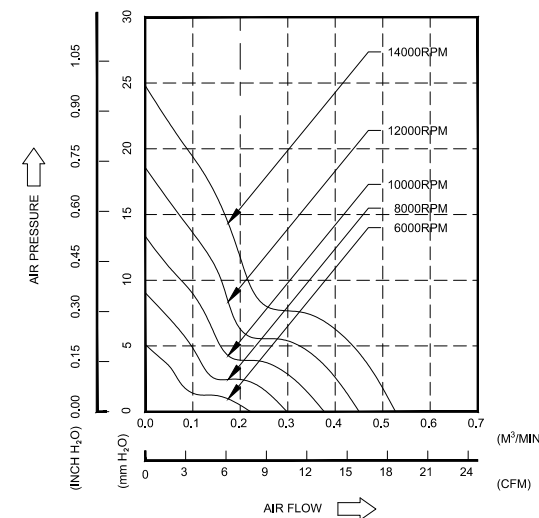
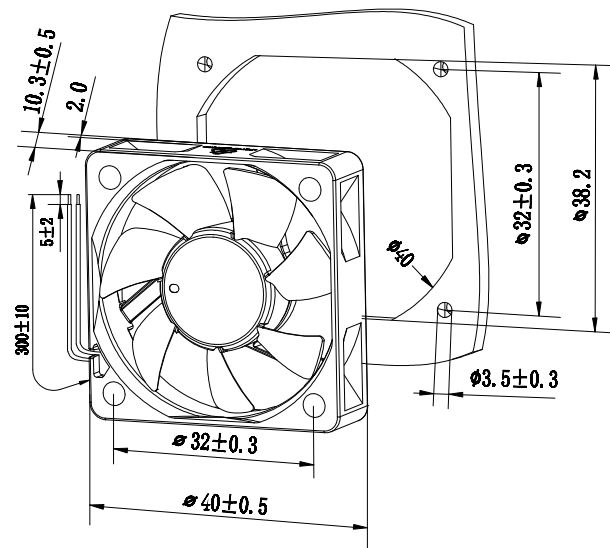
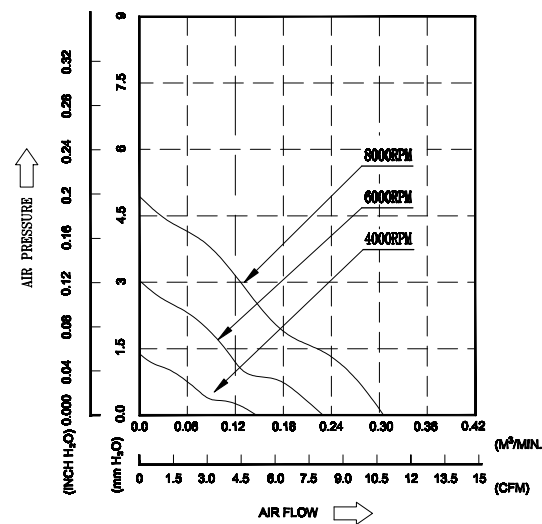
型号 /MODEL	轴承类型	额定电压	额定电流	转速	风量	风压	噪音
PART NO.	B.S.R	VDC	Amp	RPM	CFM	mmH2O	dB-A
SA120410-L	R	12	0.02	4000	5.14	1.39	25.5
SA120410-M	R	12	0.05	6000	8.07	3.03	30.7
SA120410-H	R	12	0.12	7000	10.79	4.93	38.3

轴流风扇 DC AXIAL FANS
系列 / Series 40 40x40x15mm A

- *材质: 扇叶和扇框为塑胶材质, (等级UL94V-0)
- *Material: Impeller&Frame Plastic(UL94V-0)
- *导线: UL 1061 AWG #26
- *Lead Wires: UL 1061 AWG#26
- *扇叶: 7片
- *Impeller: 7 Blades
- *旋转方向从扇叶面正视时为逆时针方向
- *Rotational direction CCW view from impeller side
- *重量: 24g
- *Mass: 24g



型号 /MODEL	轴承类型	额定电压	电压范围	额定电流	额定输入功率	转速	最大流量		最大静压		噪音
PART NO.	B.S.R	VDC	VDC	Amp	Watt	RPM	CFM	m ³ /H	mmH2O	IN H2O	dB-A
SA120415-L	B.R	12	7~13.2	0.06	0.72	6000	7.8	13.3	5.1	0.2	29.2
SA120415-M	B.R	12	7~13.2	0.1	1.2	8000	10.5	17.9	9.03	0.36	35.5
SA120415-H	B.R	12	7~13.2	0.12	1.44	10000	13.3	22.6	13.33	0.52	40.1
SA120415-U	B.R	12	7~13.2	0.21	2.52	12000	15.9	27	18.55	0.73	44.3
SA120415-S	B.R	12	7~13.2	0.35	4.2	14000	18.6	31.6	24.79	0.98	47.7
SA240415-L	B	24	14~27.6	0.02	0.48	6000	7.8	13.3	5.10	0.20	29.2
SA240415-M	B	24	14~27.6	0.04	0.96	8000	10.5	17.9	9.03	0.36	35.5
SA240415-H	B	24	14~27.6	0.06	1.44	10000	13.3	22.6	13.33	0.52	40.1
SA240415-U	B	24	14~27.6	0.1	2.4	12000	15.9	27.0	18.55	0.73	44.3
SA240415-S	B	24	14~27.6	0.18	4.32	14000	18.6	31.6	24.79	0.98	47.7



轴流风扇 DC AXIAL FANS
系列 / Series 40 40x40x20mm A

- *材质: 扇叶和扇框为塑胶材质, (等级UL94V-0)
- *Material: Impeller&Frame Plastic(UL94V-0)
- *导线: UL 1061 AWG #26
- *Lead Wires: UL 1061 AWG#26
- *扇叶: 7片
- *Impeller: 7 Blades
- *旋转方向从扇叶面正视时为逆时针方向
- *Rotational direction CCW view from impeller side
- *重量: 32g
- *Mass: 32g



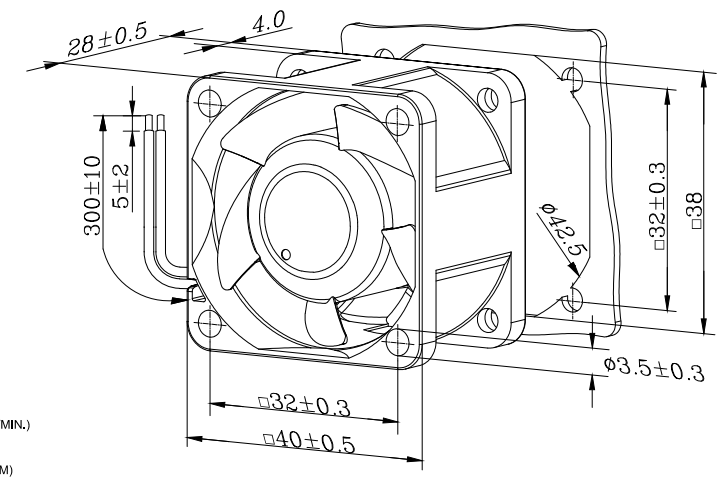
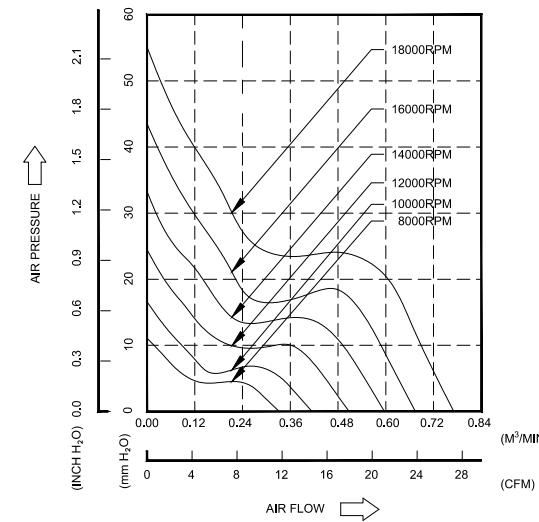
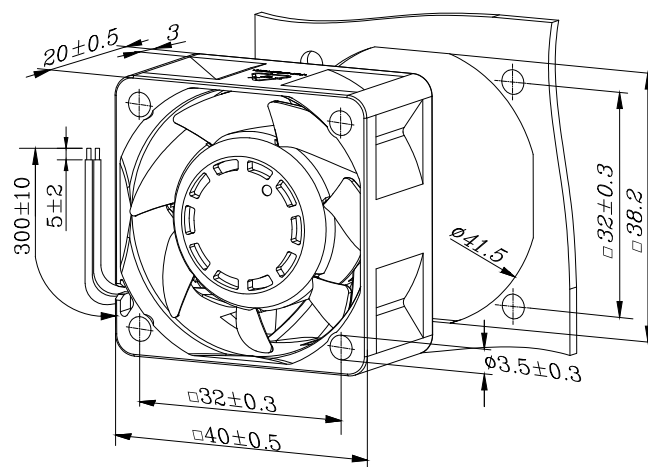
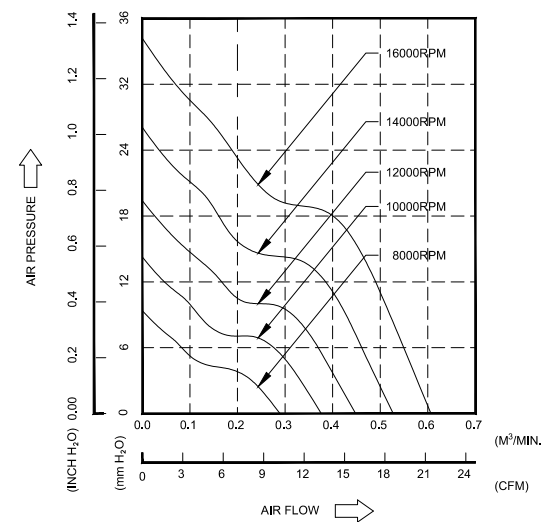
轴流风扇 DC AXIAL FANS
系列 / Series 40 40x40x28mm A

- *材质: 扇叶和扇框为塑胶材质, (等级UL94V-0)
- *Material: Impeller&Frame Plastic(UL94V-0)
- *导线: UL 1061 AWG #26
- *Lead Wires: UL 1061 AWG#26
- *扇叶: 5片
- *Impeller: 5 Blades
- *旋转方向从扇叶面正视时为逆时针方向
- *Rotational direction CCW view from impeller side
- *重量: 47g
- *Mass: 47g



型号 /MODEL	轴承类型	额定电压	电压范围	额定电流	额定输入功率	转速	最大流量		最大静压		噪音
PART NO.	B.S.R	VDC	VDC	Amp	Watt	RPM	CFM	m ³ /H	mmH2O	IN H2O	dB-A
SA120420-L	B	12	7~13.2	0.12	1.44	8000	10.2	17.3	9.35	0.37	37.8
SA120420-M	B	12	7~13.2	0.15	1.80	10000	13.3	22.5	14.25	0.56	42.6
SA120420-H	B	12	7~13.2	0.24	2.88	12000	15.8	26.9	19.38	0.76	47
SA120420-U	B	12	7~13.2	0.35	4.20	14000	18.6	31.6	26.06	1.03	50
SA120420-S	B	12	7~13.2	0.52	6.24	16000	21.4	36.4	34.17	1.35	52.4
SA240420-L	B	24	14~27.6	0.05	1.20	8000	10.2	17.3	9.35	0.37	37.8
SA240420-M	B	24	14~27.6	0.07	1.68	10000	13.3	22.5	14.25	0.56	42.6
SA240420-H	B	24	14~27.6	0.12	2.88	12000	15.8	26.9	19.38	0.76	47.0
SA240420-U	B	24	14~27.6	0.2	4.80	14000	18.6	31.6	26.06	1.03	50.0
SA240420-S	B	24	14~27.6	0.29	6.96	16000	21.4	36.4	34.17	1.35	52.4

型号 /MODEL	轴承类型	额定电压	电压范围	额定电流	额定输入功率	转速	最大流量		最大静压		噪音
PART NO.	B.S.R	VDC	VDC	Amp	Watt	RPM	CFM	m ³ /H	mmH2O	IN H2O	dB-A
SA120428-E	B	12	7~13.2	0.18	2.16	8000	11.8	20.0	11.08	0.44	39.8
SA120428-L	B	12	7~13.2	0.24	2.88	10000	14.7	24.9	16.57	0.65	45.0
SA120428-M	B	12	7~13.2	0.32	3.84	12000	17.9	30.5	24.47	0.96	49.5
SA120428-H	B	12	7~13.2	0.5	6.00	14000	21.1	35.8	32.20	1.27	53.7
SA120428-U	B	12	7~13.2	0.62	7.44	16000	23.9	40.5	43.50	1.71	56.8
SA120428-S	B	12	7~13.2	0.8	9.60	18000	27.2	46.3	55.10	2.17	58.3



轴流风扇 DC AXIAL FANS
系列 / Series 40 40x40x28mm B

- *材质: 扇叶和扇框为塑胶材质, (等级UL94V-0)
- *Material: Impeller&Frame Plastic(UL94V-0)
- *导线: UL 1061 AWG #26或同等级
- *Lead Wires: UL 1061 AWG#26 or Equivalent
- *扇叶: 5片
- *Impeller: 5 Blades
- *旋转方向从扇叶面正视时为逆时针方向
- *Rotational direction CCW view from impeller side
- *重量: 48g
- *Mass: 48g



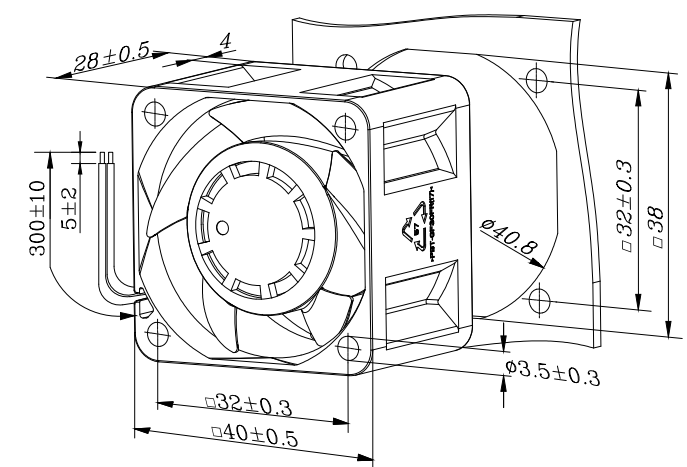
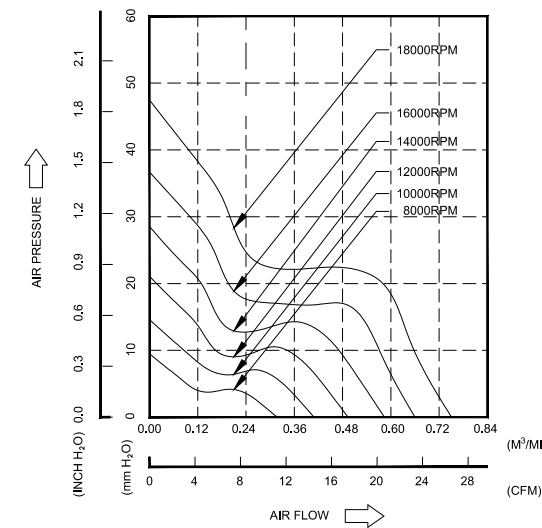
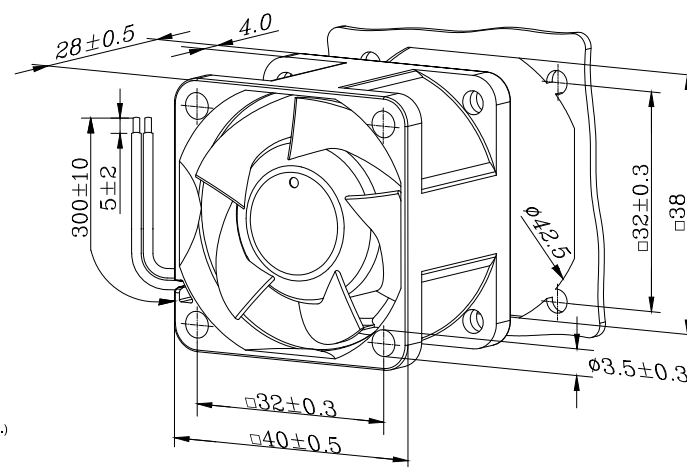
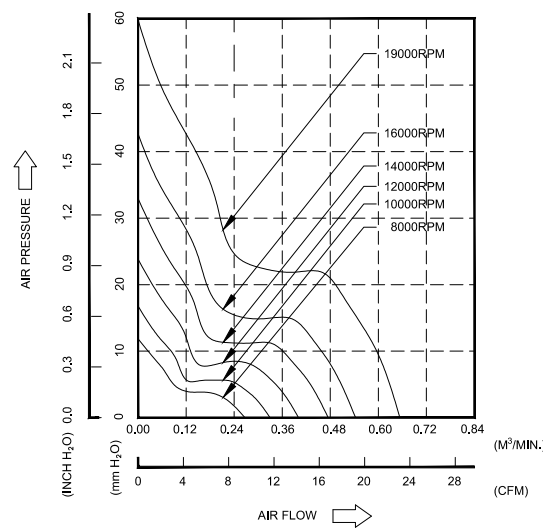
轴流风扇 DC AXIAL FANS
系列 / Series 40 40x40x28mm D

- *材质: 扇叶和扇框为塑胶材质, (等级UL94V-0)
- *Material: Impeller&Frame Plastic(UL94V-0)
- *导线: UL 1061 AWG #26
- *Lead Wires: UL 1061 AWG#26
- *扇叶: 5片
- *Impeller: 5 Blades
- *旋转方向从扇叶面正视时为逆时针方向
- *Rotational direction CCW view from impeller side
- *重量: 47g
- *Mass: 47g



型号 / MODEL	轴承类型	额定电压	电压范围	额定电流	额定输入功率	转速	最大流量		最大静压		噪音
PART NO.	B.S.R	VDC	VDC	Amp	Watt	RPM	CFM	m ³ /H	mmH2O	IN H2O	dB-A
SB120428-E	B	12	7~13.2	0.15	1.80	8000	9.4	16.0	11.84	0.47	34.8
SB120428-L	B	12	7~13.2	0.21	2.52	10000	11.7	19.8	16.76	0.66	38.7
SB120428-M	B	12	7~13.2	0.28	3.36	12000	14.2	24.0	23.79	0.94	41.8
SB120428-H	B	12	7~13.2	0.34	4.08	14000	16.8	28.5	32.92	1.30	45.3
SB120428-U	B	12	7~13.2	0.46	5.52	16000	19.2	32.6	42.63	1.68	47.9
SB120428-S	B	12	7~13.2	0.67	8.04	19000	23.1	39.2	59.76	2.35	52.6

型号 / MODEL	轴承类型	额定电压	电压范围	额定电流	额定输入功率	转速	最大流量		最大静压		噪音
PART NO.	B.S.R	VDC	VDC	Amp	Watt	RPM	CFM	m ³ /H	mmH2O	IN H2O	dB-A
SD120428-E	B	12	7~13.2	0.12	1.44	8000	11.2	19.1	9.48	0.37	35.4
SD120428-L	B	12	7~13.2	0.17	2.04	10000	14.5	24.6	14.61	0.58	39.1
SD120428-M	B	12	7~13.2	0.24	2.88	12000	17.5	29.6	21.08	0.83	43.4
SD120428-H	B	12	7~13.2	0.35	4.20	14000	20.7	35.1	28.52	1.12	48.0
SD120428-U	B	12	7~13.2	0.5	6.00	16000	23.3	39.6	36.66	1.44	50.5
SD120428-S	B	12	7~13.2	0.7	8.40	18000	26.5	45.1	47.46	1.87	52.8



轴流风扇 DC AXIAL FANS
系列 / Series 40 40x40x28mm E

- *材质: 扇叶和扇框为塑胶材质, (等级UL94V-0)
- *Material: Impeller&Frame Plastic (UL94V-0)
- *导线: UL 1061 AWG #26或同等级
- *Lead Wires: UL 1061 AWG#26 or Equivalent
- *扇叶: 7片
- *Impeller: 7 Blades
- *旋转方向从扇叶面正视时为逆时针方向
- *Rotational direction CCW view from impeller side
- *重量: 48g
- *Mass: 48g



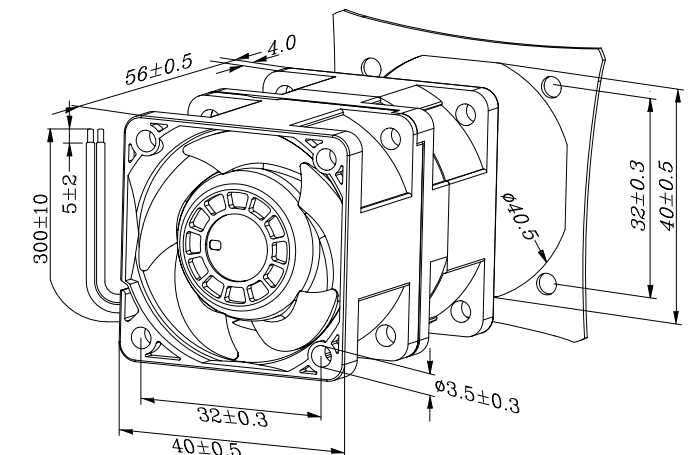
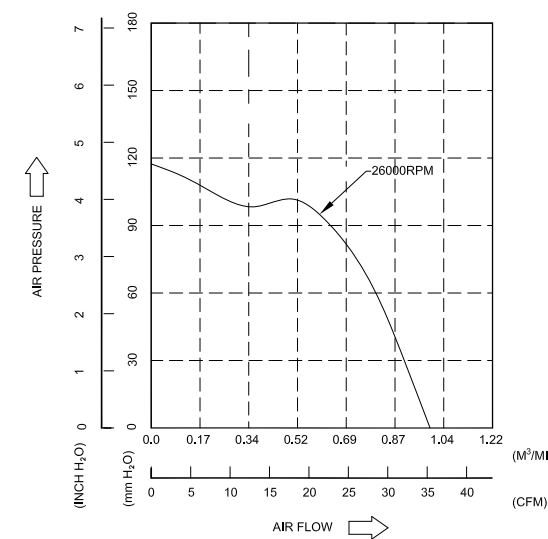
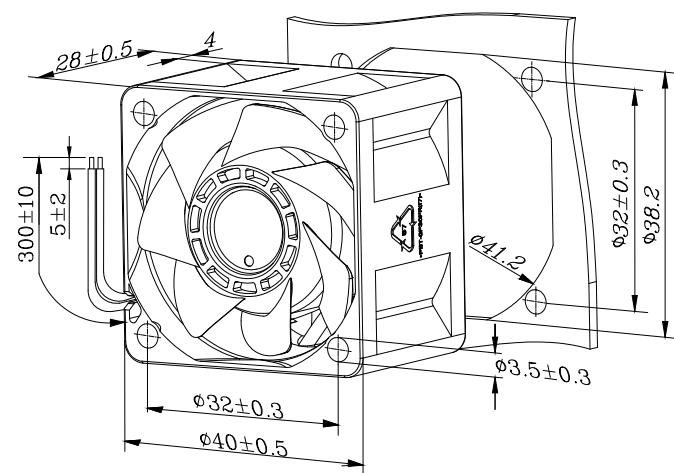
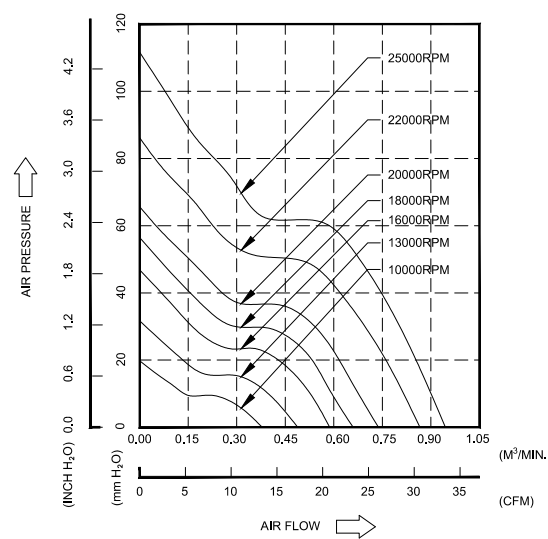
轴流风扇 DC AXIAL FANS
系列 / Series 40 40x40x56mm B

- *材质: 扇叶和扇框为塑胶材质, (等级UL94V-0/ADC12)
- *Material: Impeller&Frame Plastic (UL94V-0/ADC12)
- *导线: UL 1061 AWG #28或同等级
- *Lead Wires: UL 1061 AWG#28 or Equivalent
- *扇叶: 5片/4片
- *Impeller: 5 Blades/4 Blades
- *旋转方向从扇叶面正视时为逆时针方向
- *Rotational direction CCW view from impeller side
- *重量: 98g
- *Mass: 98g



型号 / MODEL	轴承类型	额定电压	电压范围	额定电流	额定输入功率	转速	最大流量		最大静压		噪音
PART NO.	B.S.R	VDC	VDC	Amp	Watt	RPM	CFM	m ³ /H	mmH ₂ O	IN H ₂ O	dB-A
SE4028-X	B	12	7~13.2	0.18	2.16	10000	13.4	22.7	19.78	0.78	42.1
SE4028-E	B	12	7~13.2	0.3	3.60	13000	17.3	29.3	31.67	1.25	47.8
SE4028-L	B	12	7~13.2	0.5	6.00	16000	20.8	35.3	46.82	1.84	52.3
SE4028-M	B	12	7~13.2	0.68	8.16	18000	23.3	39.6	56.43	2.22	54.9
SE4028-H	B	12	7~13.2	0.95	11.40	20000	26.1	44.3	65.64	2.58	57.2
SE4028-U	B	12	7~13.2	1.2	14.40	23000	30.6	52.0	86.18	3.39	60.2
SE4028-S	B	12	7~13.2	1.5	18.00	25000	33.4	56.7	111.64	4.40	62.0

型号 / MODEL	轴承类型	额定电压	电压范围	额定电流	额定输入功率	转速	最大流量		最大静压		噪音
PART NO.	B.S.R	VDC	VDC	Amp	Watt	RPM	CFM	m ³ /H	mmH ₂ O	IN H ₂ O	dB-A
SB120456-H	B	12	10.2~13.2	2.33	27.96	26000	35.7	60.6	116.07	4.57	71.6



轴流风扇 DC AXIAL FANS
系列 / Series 50 50x50x15mm A

- *材质: 扇叶和扇框为塑胶材质, (等级UL94V-0)
- *Material: Impeller & Frame Plastic (UL94V-0)
- *导线: UL 1007 AWG #26或同等级
- *Lead Wires: UL 1007 AWG#26 or Equivalent
- *扇叶: 7片
- *Impeller: 7 Blades
- *旋转方向从扇叶面正视时为逆时针方向
- *Rotational direction CCW view from impeller side
- *重量: 24g
- *Mass: 24g



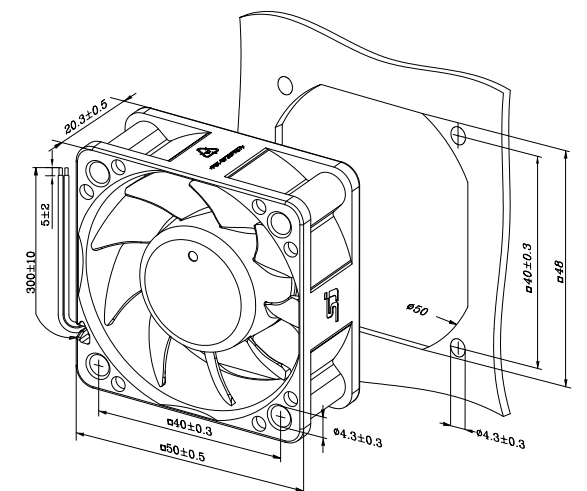
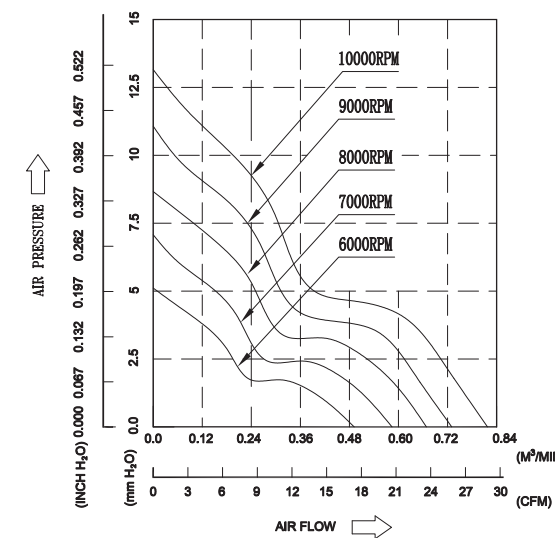
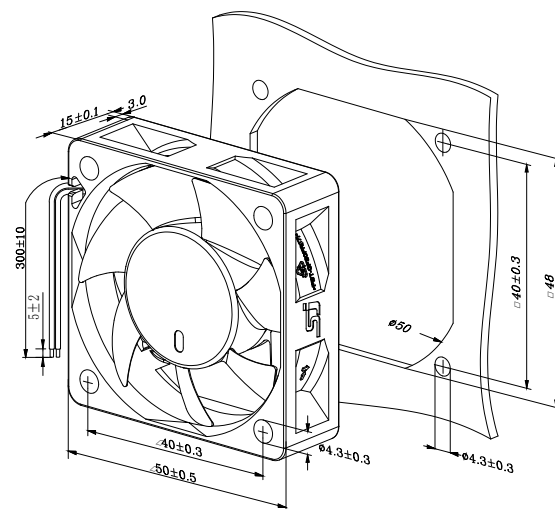
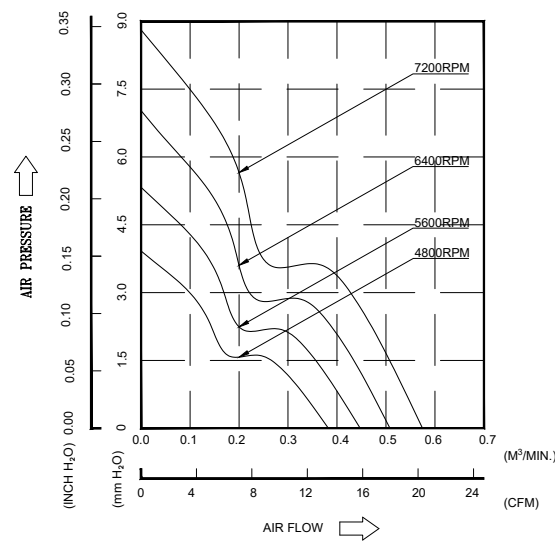
轴流风扇 DC AXIAL FANS
系列 / Series 50 50x50x20mm A

- *材料: 扇叶和扇框为塑胶材质 (等级UL94V-0)
- *Material: Impeller & Frame Plastic (UL94V-0)
- *导线: UL 1007 AWG#26或同等级
- *Lead Wires: UL 1007 AWG#26 or 同级品Equivalent
- *扇叶: 9片
- *Impeller: 9 Blades
- *旋转方向从扇叶面正视时为逆时针方向
- *Rotational direction CCW view from impeller side
- *重量: 40g
- *Mass: 40g



型号 / MODEL	轴承类型	额定电压	电压范围	额定电流	额定输入功率	转速	最大流量		最大静压		噪音
PART NO.	B.S.R	VDC	VDC	Amp	Watt	RPM	CFM	m ³ /H	mmH2O	IN H2O	dB-A
SA120515-M	B	12	7~13.2	0.08	0.96	4800	13.5	22.9	3.92	0.16	29.8
SA120515-H	B	12	7~13.2	0.12	1.44	5600	15.8	26.8	5.33	0.21	33.1
SA120515-U	B	12	7~13.2	0.17	2.04	6400	18	30.6	6.96	0.28	36
SA120515-S	B	12	7~13.2	0.25	3.00	7200	20.3	34.5	8.81	0.35	38.6
SA240515-M	B	24	14~27.6	0.04	0.96	4800	13.5	22.9	3.92	0.16	29.8
SA240515-H	B	24	14~27.6	0.06	1.44	5600	15.8	26.8	5.33	0.21	33.1
SA240515-U	B	24	14~27.6	0.09	2.16	6400	18	30.6	6.96	0.28	36
SA240515-S	B	24	14~27.6	0.13	3.12	7200	20.3	34.5	8.81	0.35	38.6

型号 / MODEL	轴承类型	额定电压	电压范围	额定电流	额定输入功率	转速	最大流量		最大静压		噪音
PART NO.	B.S.R	VDC	VDC	Amp	Watt	RPM	CFM	m ³ /H	mmH2O	IN H2O	dB-A
SA120520-M	B	12	7~13.2	0.15	1.80	6000	17.39	29.53	5.10	0.20	34.1
SA120520-H	B	12	7~13.2	0.20	2.40	7000	20.66	35.08	7.06	0.28	37.5
SA120520-U	B	12	7~13.2	0.27	3.24	8000	23.63	40.12	8.65	0.34	41.3
SA120520-S	B	12	7~13.2	0.33	3.96	9000	25.83	43.86	11.05	0.44	43.9
SA120520-F	B	12	7~13.2	0.44	5.28	10000	28.92	49.11	13.13	0.52	46.4
SA240520-M	B	24	14~27.6	0.09	2.16	6000	17.39	29.53	5.10	0.20	33.8
SA240520-H	B	24	14~27.6	0.13	3.12	7000	20.66	35.08	7.06	0.28	37.5
SA240520-U	B	24	14~27.6	0.16	3.84	8000	23.63	40.12	8.65	0.34	41.3
SA240520-S	B	24	14~27.6	0.19	4.56	9000	25.83	43.86	11.05	0.44	43.9
SA240520-F	B	24	14~27.6	0.23	5.52	10000	28.92	49.11	13.13	0.52	46.4



轴流风扇 DC AXIAL FANS
系列 / Series 60 60x60x25mm A

- *材质: 扇叶和扇框为塑胶材质, (等级UL94V-0)
- *Material: Impeller&Frame Plastic(UL94V-0)
- *导线: UL 1007 AWG #26或同等级
- *Lead Wires: UL 1007 AWG#26 or Equivalent
- *扇叶: 7片
- *Impeller: 7 Blades
- *旋转方向从扇叶面正视时为逆时针方向
- *Rotational direction CCW view from impeller side
- *重量: 60g
- *Mass: 60g



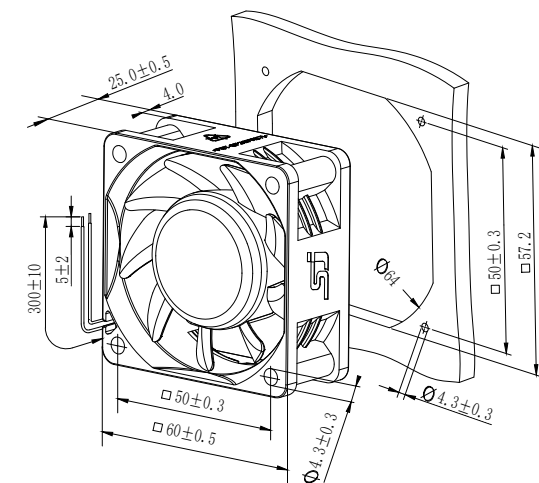
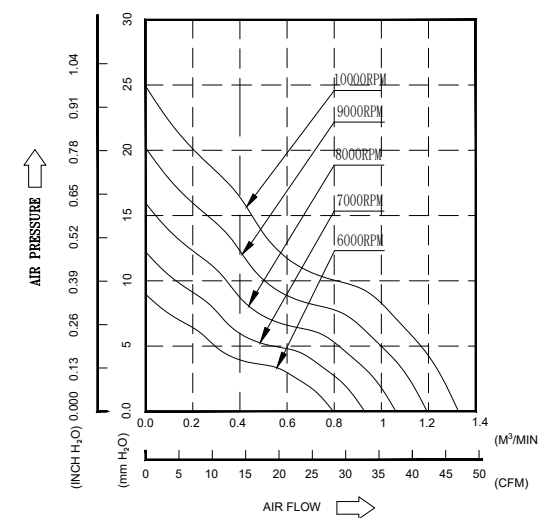
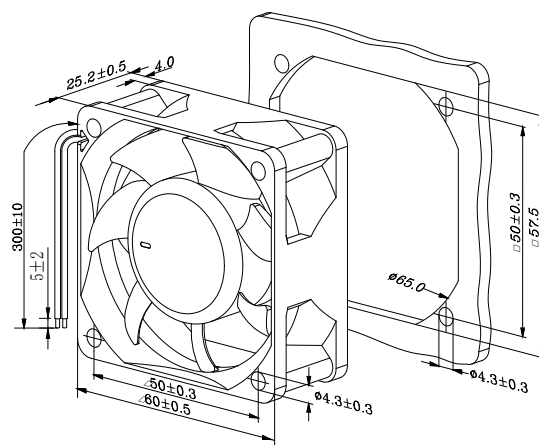
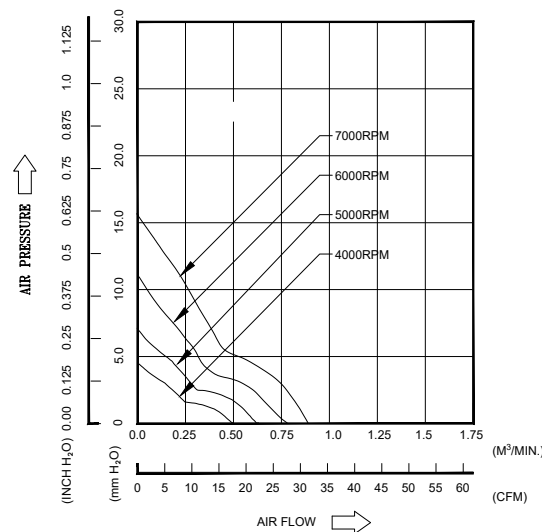
轴流风扇 DC AXIAL FANS
系列 / Series 60 60x60x25mm D

- *材质: 扇叶和扇框为塑胶材质, (等级UL94V-0)
- *Material: Impeller&Frame Plastic(UL94V-0)
- *导线: UL 1007 AWG #26 或同等级
- *Lead Wires: UL 1007 AWG#26 or Equivalent
- *扇叶: 9片
- *Impeller: 9 Blades
- *旋转方向从扇叶面正视时为逆时针方向
- *Rotational direction CCW view from impeller side
- *重量: 70g
- *Mass: 70g



型号 /MODEL	轴承类型	额定电压	电压范围	额定电流	额定输入功率	转速	最大流量		最大静压		噪音
PART NO.	B.S.R	VDC	VDC	Amp	Watt	RPM	CFM	m ³ /H	mmH2O	IN H2O	dB-A
SA120625-X	B	12	7~13.2	0.07	0.84	3000	17.88	30.36	3.5	0.10	29.2
SA120625-E	B	12	7~13.2	0.11	1.32	4000	23.82	40.46	5.9	0.20	34.5
SA120625-L	B	12	7~13.2	0.21	2.52	5000	30.17	51.22	9.2	0.40	39.3
SA120625-M	B	12	7~13.2	0.36	4.32	6000	36.42	61.84	13.2	0.50	44.7
SA120625-H	B	12	7~13.2	0.57	6.84	7000	42.16	71.59	17.7	0.70	48.3
SA240625-X	B	24	14~27.6	0.03	0.72	3000	17.88	30.36	3.5	0.10	29.2
SA240625-E	B	24	14~27.6	0.07	1.68	4000	23.82	40.46	5.9	0.20	34.5
SA240625-L	B	24	14~27.6	0.13	3.12	5000	30.17	51.22	9.2	0.40	39.3
SA240625-M	B	24	14~27.6	0.22	5.28	6000	36.42	61.84	13.2	0.50	44.7
SA240625-H	B	24	14~27.6	0.34	8.16	7000	42.16	71.59	17.7	0.70	48.3
SA480625-X	B	48	36~56	0.02	0.96	3000	17.88	30.36	3.5	0.10	29.2
SA480625-E	B	48	36~56	0.04	1.92	4000	23.82	40.46	5.9	0.20	34.5
SA480625-L	B	48	36~56	0.07	3.36	5000	30.17	51.22	9.2	0.40	39.3
SA480625-M	B	48	36~56	0.12	5.76	6000	36.42	61.84	13.2	0.50	44.7

型号 /MODEL	轴承类型	额定电压	电压范围	额定电流	额定输入功率	转速	最大流量		最大静压		噪音
PART NO.	B.S.R	VDC	VDC	Amp	Watt	RPM	CFM	m ³ /H	mmH2O	IN H2O	dB-A
SD120625-M	B	12	7~13.2	0.17	2.04	6000	28.15	47.8	8.95	0.35	41.9
SD120625-H	B	12	7~13.2	0.24	2.88	7000	32.84	55.8	12.19	0.48	45.3
SD120625-U	B	12	7~13.2	0.36	4.32	8000	37.53	63.7	15.92	0.63	48.2
SD120625-S	B	12	7~13.2	0.51	6.12	9000	42.22	71.7	21.14	0.83	50.7
SD120625-F	B	12	7~13.2	0.7	8.40	10000	46.92	79.7	24.87	0.98	53.0
SD240625-M	B	24	14~27.6	0.11	2.64	6000	28.15	47.8	8.95	0.35	41.9
SD240625-H	B	24	14~27.6	0.15	3.60	7000	32.84	55.8	12.19	0.48	45.3
SD240625-U	B	24	14~27.6	0.18	4.32	8000	37.53	63.7	15.92	0.63	48.2
SD240625-S	B	24	14~27.6	0.26	6.24	9000	42.22	71.7	21.14	0.83	50.7
SD240625-F	B	24	14~27.6	0.35	8.40	10000	46.92	79.7	24.87	0.98	53.0
SD480625-M	B	48	36~56	0.06	2.88	6000	28.15	47.8	8.95	0.35	41.9
SD480625-H	B	48	36~56	0.08	3.84	7000	32.84	55.8	12.19	0.48	45.3
SD480625-U	B	48	36~56	0.1	4.80	8000	37.53	63.7	15.92	0.63	48.2
SD480625-S	B	48	36~56	0.15	7.20	9000	42.22	71.7	21.14	0.83	50.7
SD480625-F	B	48	36~56	0.2	9.60	10000	46.92	79.7	24.87	0.98	53.0

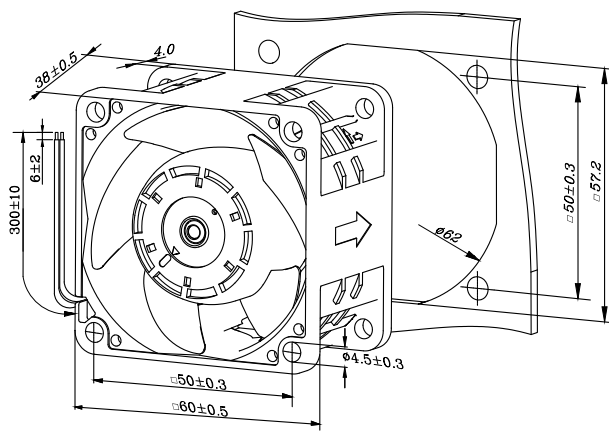
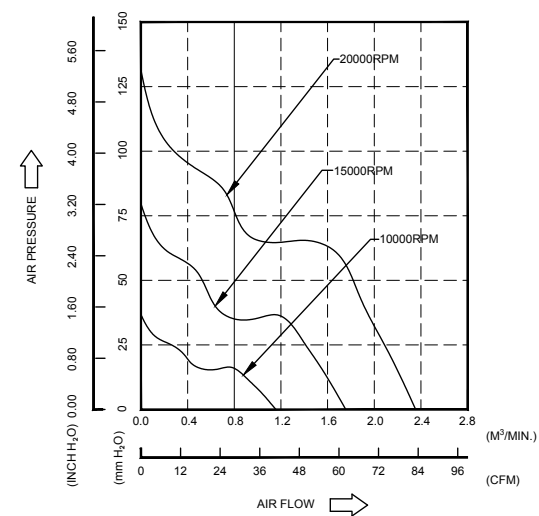


轴流风扇 DC AXIAL FANS
系列 / Series 60 60x60x38mm B 三相

- *材质: 扇叶和扇框为塑胶材质, (等级UL94V-0)
- *Material: Impeller&Frame Plastic(UL94V-0)
- *导线: UL 1007 AWG #24或同等级
- *Lead Wires: UL 1007 AWG#24 or Equivalent
- *扇叶: 5片
- *Impeller: 5 Blades
- *旋转方向从扇叶面正视时为逆时针方向
- *Rotational direction CCW view from impeller side
- *重量: 150g
- *Mass: 150g



型号 / MODEL	轴承类型	额定电压	电压范围	额定电流	额定输入功率	转速	最大流量		最大静压		噪音
PART NO.	B.S.R	VDC	VDC	Amp	Watt	RPM	CFM	m ³ /H	mmH2O	IN H2O	dB-A
SB120638-S	B	12	7~13.2	3	36.00	20000	83.3	141.4	131.31	5.17	62.1
SB120638-U	B	12	7~13.2	1.3	15.60	15000	62.1	105.4	79.55	3.13	58.0
SB120638-H	B	12	7~13.2	0.48	5.76	10000	40.9	69.4	36.66	1.44	48.4

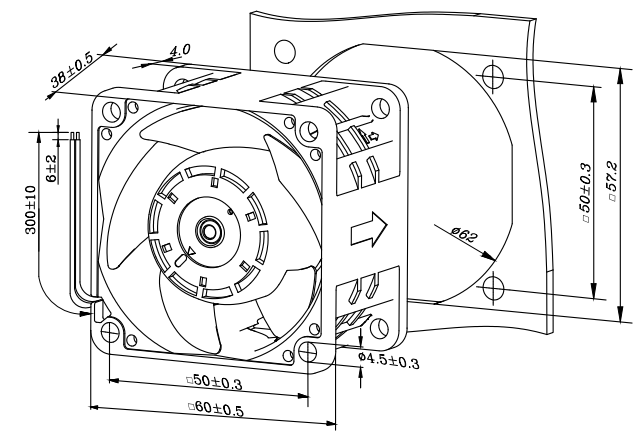
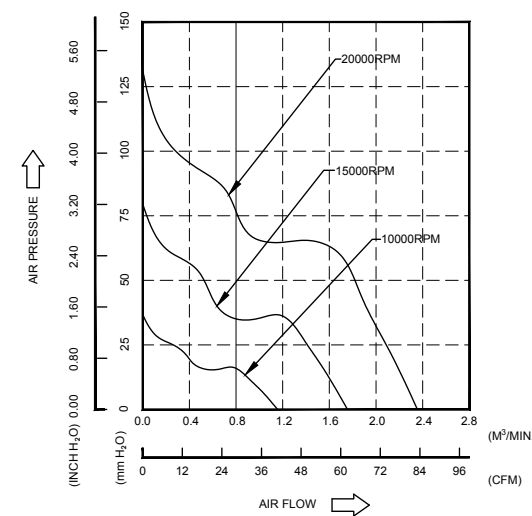


轴流风扇 DC AXIAL FANS
系列 / Series 60 60x60x38mm B 单相

- *材质: 扇叶和扇框为塑胶材质, (等级UL94V-0)
- *Material: Impeller&Frame Plastic(UL94V-0)
- *导线: UL 1007 AWG #24或同等级
- *Lead Wires: UL 1007 AWG#24 or Equivalent
- *扇叶: 5片
- *Impeller: 5 Blades
- *旋转方向从扇叶面正视时为逆时针方向
- *Rotational direction CCW view from impeller side
- *重量: 150g
- *Mass: 150g



型号 / MODEL	轴承类型	额定电压	电压范围	额定电流	额定输入功率	转速	最大流量		最大静压		噪音
PART NO.	B.S.R	VDC	VDC	Amp	Watt	RPM	CFM	m ³ /H	mmH2O	IN H2O	dB-A
SB120638-S	B	12	7~13.2	3	36.00	20000	83.3	141.4	131.31	5.17	62.1
SB120638-U	B	12	7~13.2	1.3	15.60	15000	62.1	105.4	79.55	3.13	58.0
SB120638-H	B	12	7~13.2	0.48	5.76	10000	40.9	69.4	36.66	1.44	48.4



轴流风扇 DC AXIAL FANS
系列 / Series 60 60x60x56mm A

- *材料:扇叶和扇框为塑胶材质(等级UL94V-0)
- *Material: Impeller & Frame Plastic(UL94V-0)
- *导线: UL 10368 AWG#24或同等级
- *Lead Wires: UL 10368 AWG#24 or 同级品Equivalent
- *扇叶:5片/4片
- * Impeller:5 Blades/4 Blades
- *旋转方向从扇叶面正视时为逆时针方向
- *Rotational direction CCW view from impeller side
- *重量:205g
- *Mass:205g



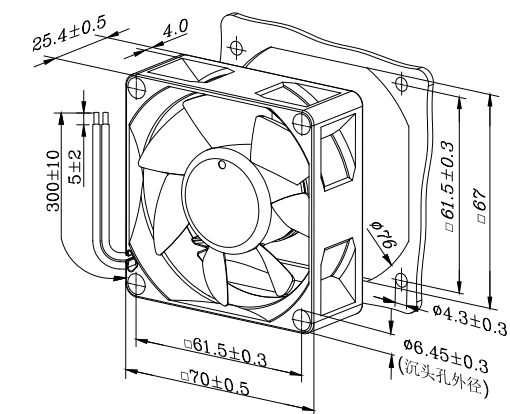
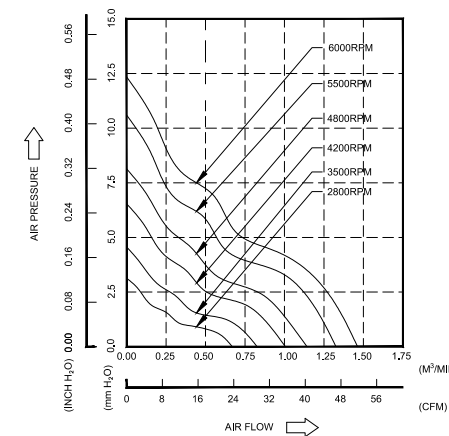
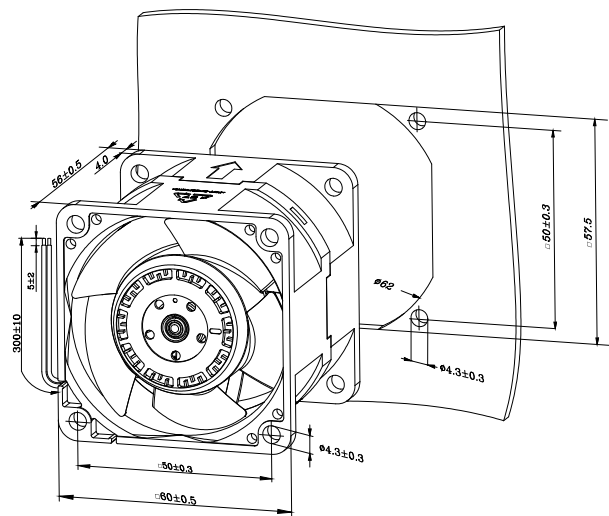
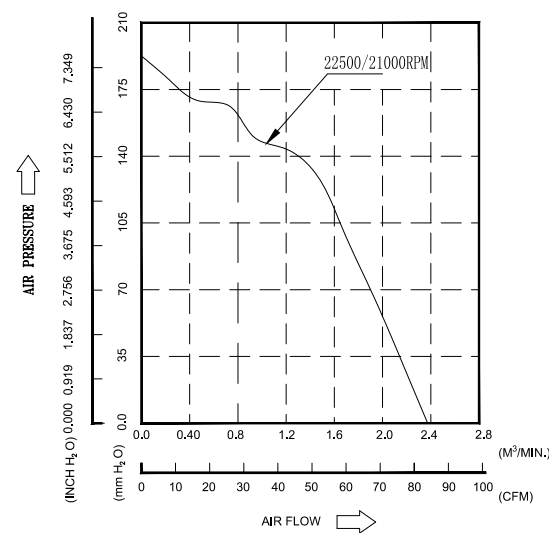
轴流风扇 DC AXIAL FANS
系列 / Series 70 70x70x25mm A

- *材质:扇叶和扇框为塑胶材质,(等级UL94V-0)
- *Material:Impeller&Frame Plastic(UL94V-0)
- *导线:UL 1007 AWG #24或同等级
- *Lead Wires:UL 1007 AWG#24 or Equivalent
- *扇叶:7片
- *Impeller:7 Blades
- *旋转方向从扇叶面正视时为逆时针方向
- *Rotational direction CCW view from impeller side
- *重量:70g
- *Mass:70g



型号 /MODEL	轴承类型	额定电压	电压范围	额定电流	额定输入功率	转速	最大流量		最大静压		噪音
PART NO.	B.S.R	VDC	VDC	Amp	Watt	RPM	CFM	m ³ /H	mmH2O	IN H2O	dB-A
SA120656-S	B	12	7~13.2	4.50	54.0	22500/21000	86.16	146.30	201.83	7.95	79.0

型号 /MODEL	轴承类型	额定电压	电压范围	额定电流	额定输入功率	转速	最大流量		最大静压		噪音
PART NO.	B.S.R	VDC	VDC	Amp	Watt	RPM	CFM	m ³ /H	mmH2O	IN H2O	dB-A
SA120725-E	B	12	7~13.2	0.04	0.48	2800	23.7	40.2	3.13	0.12	28.4
SA120725-L	B	12	7~13.2	0.07	0.84	3500	29.2	49.6	4.57	0.18	32.4
SA120725-M	B	12	7~13.2	0.12	1.44	4200	35.6	60.4	6.54	0.26	35.8
SA120725-H	B	12	7~13.2	0.17	2.04	4800	40.4	68.6	8.13	0.32	40.3
SA120725-U	B	12	7~13.2	0.26	3.12	5500	46.9	79.6	10.6	0.42	42.5
SA120725-S	B	12	7~13.2	0.33	3.96	6000	51.7	87.8	12.34	0.49	45.1
SA240725-E	B	24	14~27.6	0.02	0.48	2800	23.7	40.2	3.13	0.12	28.4
SA240725-L	B	24	14~27.6	0.04	0.96	3500	29.2	49.6	4.57	0.18	32.4
SA240725-M	B	24	14~27.6	0.06	1.44	4200	35.6	60.4	6.54	0.26	35.8
SA240725-H	B	24	14~27.6	0.1	2.40	4800	40.4	68.6	8.13	0.32	40.3
SA240725-U	B	24	14~27.6	0.14	3.36	5500	46.9	79.6	10.6	0.42	42.5
SA240725-S	B	24	14~27.6	0.18	4.32	6000	51.7	87.8	12.34	0.49	45.1
SA480725-E	B	48	36~56	0.02	0.96	2800	23.7	40.2	3.13	0.12	28.4
SA480725-L	B	48	36~56	0.03	1.44	3500	29.2	49.6	4.57	0.18	32.4
SA480725-M	B	48	36~56	0.04	1.92	4200	35.6	60.4	6.54	0.26	35.8
SA480725-H	B	48	36~56	0.06	2.88	4800	40.4	68.6	8.13	0.32	40.3
SA480725-U	B	48	36~56	0.08	3.84	5500	46.9	79.6	10.6	0.42	42.5
SA480725-S	B	48	36~56	0.1	4.80	6000	51.7	87.8	12.34	0.49	45.1



轴流风扇 DC AXIAL FANS
系列 / Series 80 80x80x15mm A

- *材料:扇叶和扇框为塑胶材质(等级UL94V-0)
- *Material: Impeller & Frame Plastic(UL94V-0)
- *导线: UL 1061 AWG#26或同等级
- *Lead Wires: UL 1061 AWG#26 or Equivalent
- *扇叶:9片
- * Impeller:9 Blades
- *旋转方向从扇叶面正视时为逆时针方向
- *Rotational direction CCW view from impeller side
- *重量:80g
- *Mass:80g



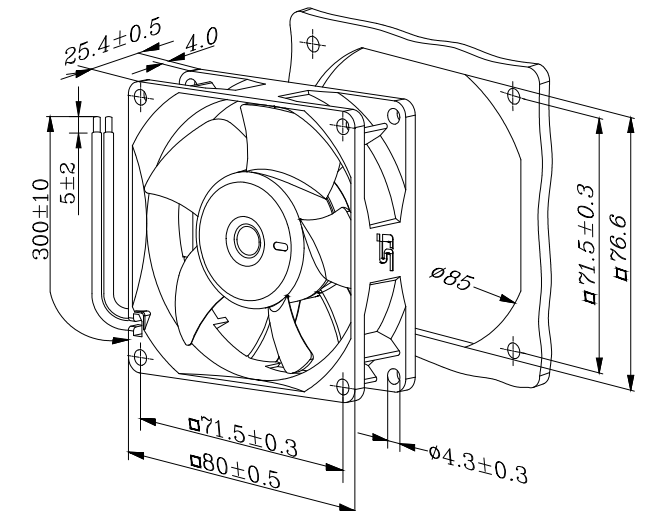
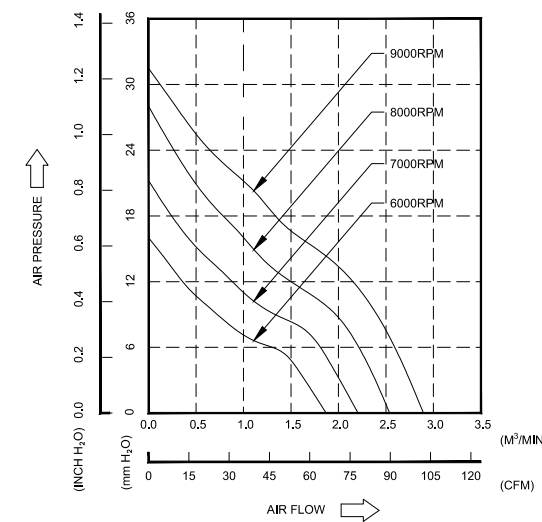
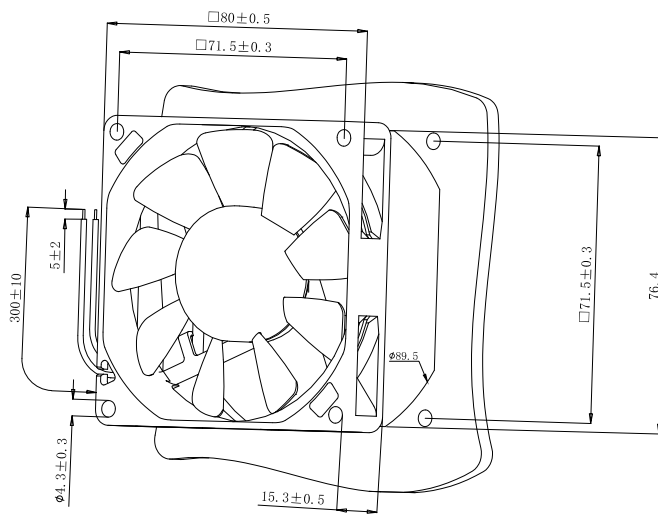
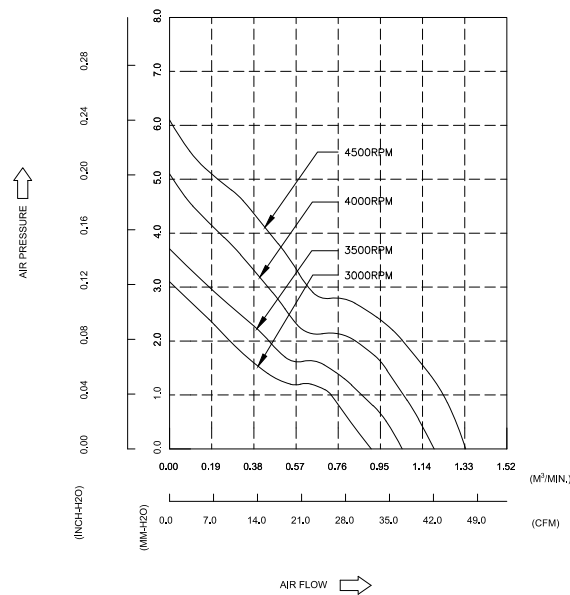
轴流风扇 DC AXIAL FANS
系列 / Series 80 80x80x25mm A

- *材质:扇叶和扇框为塑胶材质,(等级UL94V-0)
- *Material:Impeller&Frame Plastic(UL94V-0)
- *导线:UL 1007 AWG #24或同等级
- *Lead Wires:UL 1007 AWG#24 or Equivalent
- *扇叶:5片
- *Impeller:5 Blades
- *旋转方向从扇叶面正视时为逆时针方向
- *Rotational direction CCW view from impeller side
- *重量:98g
- *Mass:98g



型号 / MODEL	轴承类型	额定电压	电压范围	额定电流	额定输入功率	转速	最大流量		最大静压		噪音
PART NO.	B.S.R	VDC	VDC	Amp	Watt	RPM	CFM	m ³ /H	mmH2O	IN H2O	dB-A
SA120815-L	B	12	7~13.2	0.12	1.44	3000	32.1	54.4	3.08	0.12	31.2
SA120815-M	B	12	7~13.2	0.16	1.92	3500	37.0	62.9	3.6	0.14	34.8
SA120815-H	B	12	7~13.2	0.22	2.64	4000	42.12	71.5	5.06	0.20	37.7
SA120815-U	B	12	7~13.2	0.3	3.60	4500	47.15	80.1	6.08	0.24	41.1
SA240815-L	B	24	14~27.6	0.06	1.44	3000	32.06	54.4	3.08	0.12	31.2
SA240815-M	B	24	14~27.6	0.08	1.92	3500	37.03	62.9	3.6	0.14	34.8
SA240815-H	B	24	14~27.6	0.11	2.64	4000	42.12	71.5	5.06	0.20	37.7
SA240815-U	B	24	14~27.6	0.15	3.60	4500	47.15	80.1	6.08	0.24	41.1

型号 / MODEL	轴承类型	额定电压	电压范围	额定电流	额定输入功率	转速	最大流量		最大静压		噪音
PART NO.	B.S.R	VDC	VDC	Amp	Watt	RPM	CFM	m ³ /H	mmH2O	IN H2O	dB-A
SA120825-L	B	12	7~13.2	0.48	5.76	6000	66.1	112.2	16.00	0.63	50.4
SA120825-M	B	12	7~13.2	0.64	7.68	7000	78.0	132.4	21.22	0.84	54.5
SA120825-H	B	12	7~13.2	0.92	11.04	8000	89.8	152.4	28.00	1.10	57.5
SA120825-U	B	12	7~13.2	1.35	16.20	9000	102.3	173.8	31.45	1.24	60.5
SA240825-L	B	24	14~27.6	0.21	5.04	6000	66.1	112.2	16.00	0.63	50.4
SA240825-M	B	24	14~27.6	0.32	7.68	7000	78.0	132.4	21.22	0.84	54.5
SA240825-H	B	24	14~27.6	0.46	11.04	8000	89.8	152.4	28.00	1.10	57.5
SA240825-U	B	24	14~27.6	0.68	16.32	9000	102.3	173.8	31.45	1.24	60.5
SA480825-L	B	48	36~56	0.12	5.76	6000	66.1	112.2	16.00	0.63	50.4
SA480825-M	B	48	36~56	0.17	8.16	7000	78.0	132.4	21.22	0.84	54.5
SA480825-H	B	48	36~56	0.24	11.52	8000	89.8	152.4	28.00	1.10	57.5
SA480825-U	B	48	36~56	0.33	15.84	9000	102.3	173.7	31.45	1.24	60.5



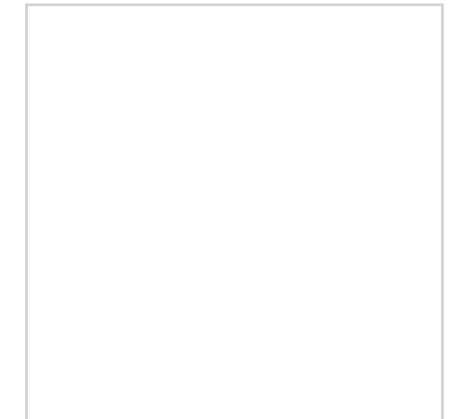
轴流风扇 DC AXIAL FANS
系列 / Series 80 80x80x25mm B

- *材料:扇叶和扇框为塑胶材质(等级UL94V-0)
- *Material: Impeller & Frame Plastic(UL94V-0)
- *导线: UL 1007 AWG#24或同等级
- *Lead Wires: UL 1007 AWG#24 or Equivalent
- *扇叶:7片
- * Impeller:7 Blades
- *旋转方向从扇叶面正视时为逆时针方向
- *Rotational direction CCW view from impeller side
- *重量:90g
- *Mass:90g
- *外框形式: Flange or RIB



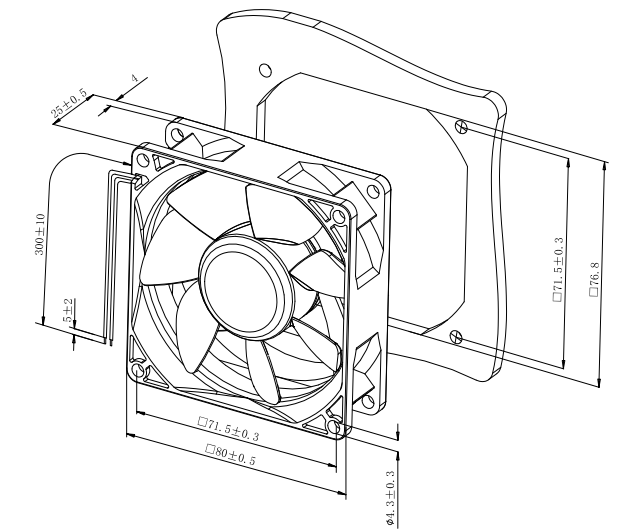
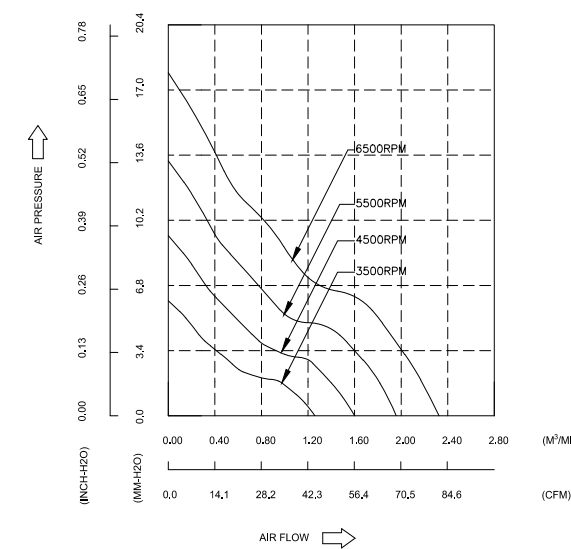
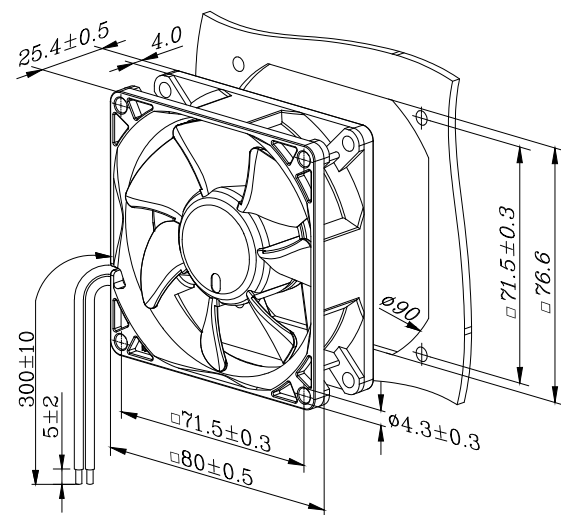
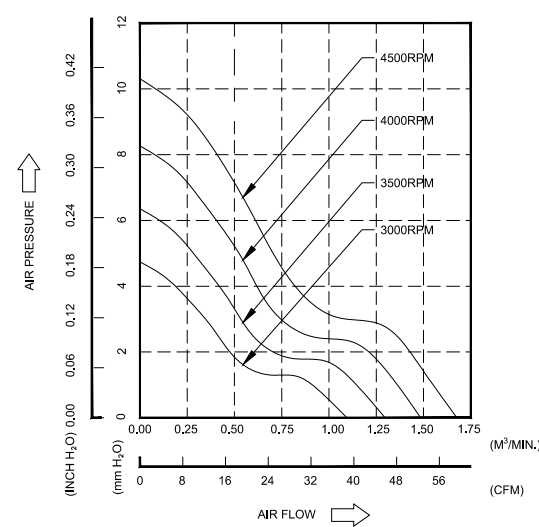
轴流风扇 DC AXIAL FANS
系列 / Series 80 80x80x25mm C

- *材料:扇叶和扇框为塑胶材质(等级UL94V-0)
- *Material: Impeller & Frame Plastic(UL94V-0)
- *导线: UL 1007 AWG#26或同等级
- *Lead Wires: UL 1007 AWG#26 or 同级品Equivalent
- *扇叶:7片
- * Impeller:7 Blades
- *旋转方向从扇叶面正视时为逆时针方向
- *Rotational direction CCW view from impeller side
- *重量:80g
- *Mass:80g



型号 /MODEL	轴承类型	额定电压	电压范围	额定电流	额定输入功率	转速	最大流量		最大静压		噪音
PART NO.	B.S.R	VDC	VDC	Amp	Watt	RPM	CFM	m ³ /H	mmH2O	IN H2O	dB-A
SB120825-L	B.R	12	7~13.2	0.1	1.20	3000	38.7	65.7	4.74	0.19	36.2
SB120825-M	B.R	12	7~13.2	0.16	1.92	3500	45.8	77.8	6.36	0.25	37.4
SB120825-H	B.R	12	7~13.2	0.24	2.88	4000	52.5	89.1	8.27	0.33	41.0
SB120825-U	B.R	12	7~13.2	0.34	4.08	4500	59.3	100.6	10.31	0.41	44.6
SB240825-L	B.R	24	14~27.6	0.05	1.20	3000	38.7	65.7	4.74	0.19	36.2
SB240825-M	B.R	24	14~27.6	0.08	1.92	3500	45.8	77.8	6.36	0.25	37.4
SB240825-H	B.R	24	14~27.6	0.12	2.88	4000	52.5	89.1	8.27	0.33	41.0
SB240825-U	B.R	24	14~27.6	0.18	4.32	4500	59.3	100.6	10.31	0.41	44.6
SB480825-L	B.R	48	36~56	0.03	1.44	3000	38.7	65.7	4.74	0.19	36.2
SB480825-M	B.R	48	36~56	0.05	2.40	3500	45.8	77.8	6.36	0.25	37.4
SB480825-H	B.R	48	36~56	0.07	3.36	4000	52.5	89.1	8.27	0.33	41.0
SB480825-U	B.R	48	36~56	0.1	4.80	4500	59.3	100.6	10.31	0.41	44.6

型号 /MODEL	轴承类型	额定电压	电压范围	额定电流	额定输入功率	转速	最大流量		最大静压		噪音
PART NO.	B.S.R	VDC	VDC	Amp	Watt	RPM	CFM	m ³ /H	mmH2O	IN H2O	dB-A
SC120825-L	B	12	7~13.2	0.18	2.16	3500	44.4	75.4	6.04	0.24	38.1
SC120825-M	B	12	7~13.2	0.28	3.36	4500	56.5	95.9	9.36	0.37	43.0
SC120825-H	B	12	7~13.2	0.45	5.40	5500	69.1	117.4	13.33	0.52	47.9
SC120825-U	B	12	7~13.2	0.65	7.80	6500	82.1	139.3	17.87	0.70	52.4



轴流风扇 DC AXIAL FANS
系列 / Series 80 80x80x32mm A

- *材料:扇叶和扇框为塑胶材质(等级UL94V-0)
- *Material: Impeller & Frame Plastic(UL94V-0)
- *导线: UL 1007 AWG#24或同等级
- *Lead Wires: UL 1007 AWG#24 or Equivalent
- *扇叶:7片
- * Impeller:7 Blades
- *旋转方向从扇叶面正视时为逆时针方向
- *Rotational direction CCW view from impeller side
- *重量:125g
- *Mass:125g



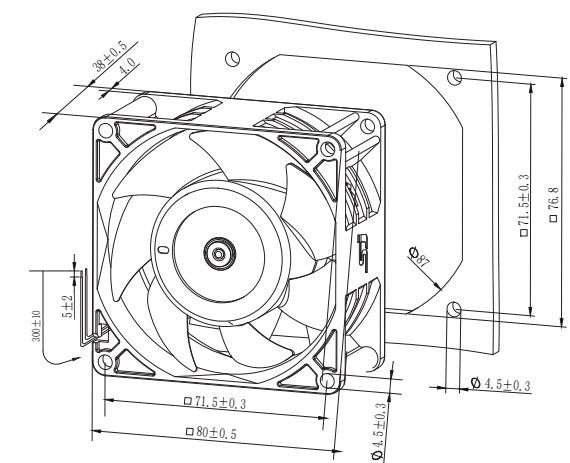
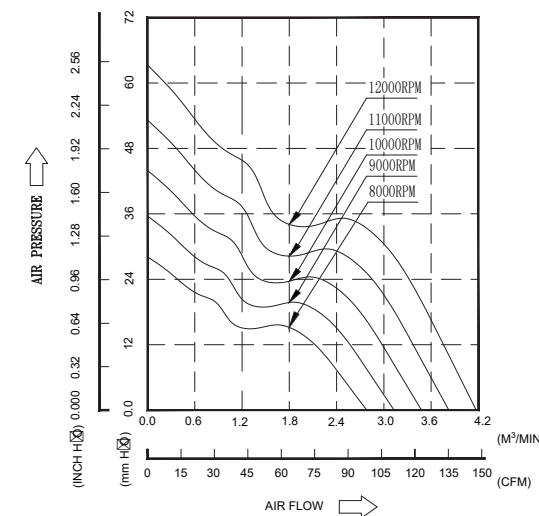
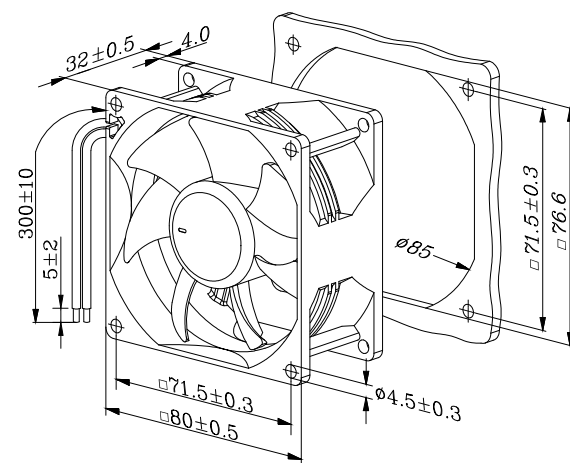
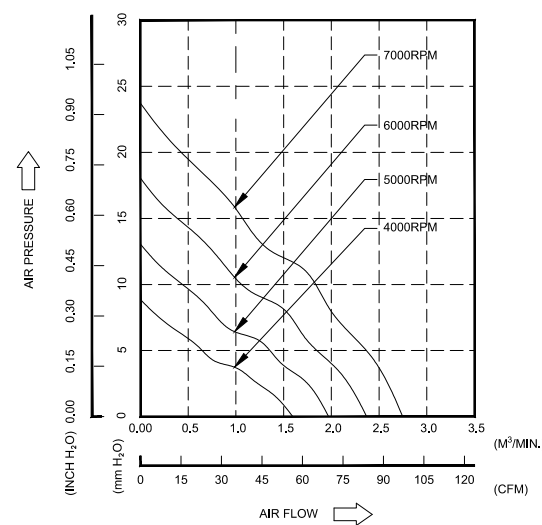
轴流风扇 DC AXIAL FANS
系列 / Series 80 80x80x38mm A

- *材质:扇叶和扇框为塑胶材质,(等级UL94V-0)
- *Material: Impeller & Frame Plastic(UL94V-0)
- *导线: UL 1007 AWG #24或同等级
- *Lead Wires: UL 1007 AWG#24 or Equivalent
- *扇叶:7片
- * Impeller:7 Blades
- *旋转方向从扇叶面正视时为逆时针方向
- *Rotational direction CCW view from impeller side
- *重量:125g
- *Mass:125g



型号 /MODEL	轴承类型	额定电压	电压范围	额定电流	额定输入功率	转速	最大流量		最大静压		噪音
PART NO.	B.S.R	VDC	VDC	Amp	Watt	RPM	CFM	m ³ /H	mmH2O	IN H2O	dB-A
SA120832-M	B	12	7~13.2	0.37	4.44	4000	56.4	95.8	8.85	0.35	42.8
SA120832-H	B	12	7~13.2	0.61	7.32	5000	69.7	118.3	13.04	0.51	48.5
SA120832-U	B	12	7~13.2	0.97	11.64	6000	83.8	142.3	18.04	0.71	53.3
SA120832-S	B	12	7~13.2	1.4	16.80	7000	97.1	164.9	23.7	0.93	56.4
SA240832-M	B	24	14~27.6	0.15	3.60	4000	56.4	95.8	8.85	0.35	42.8
SA240832-H	B	24	14~27.6	0.25	6.00	5000	69.7	118.3	13.04	0.51	48.5
SA240832-U	B	24	14~27.6	0.38	9.12	6000	83.8	142.3	18.04	0.71	53.3
SA240832-S	B	24	14~27.6	0.59	14.16	7000	97.1	164.9	23.7	0.93	56.4
SA480832-M	B	48	36~56	0.1	4.80	4000	56.4	95.8	8.85	0.35	42.8
SA480832-H	B	48	36~56	0.14	6.72	5000	69.7	118.3	13.04	0.51	48.5
SA480832-U	B	48	36~56	0.21	10.08	6000	83.8	142.3	18.04	0.71	53.3
SA480832-S	B	48	36~56	0.32	15.36	7000	97.1	164.9	23.7	0.93	56.4

型号 /MODEL	轴承类型	额定电压	电压范围	额定电流	额定输入功率	转速	最大流量		最大静压		噪音
PART NO.	B.S.R	VDC	VDC	Amp	Watt	RPM	CFM	m ³ /H	mmH2O	IN H2O	dB-A
SA120838-L	B	12	7~13.2	1.18	14.16	8000	98.36	167.0	28.08	1.11	55.2
SA120838-M	B	12	7~13.2	1.68	20.16	9000	110.66	187.9	35.54	1.40	57.7
SA120838-H	B	12	7~13.2	2.3	27.60	10000	122.96	208.8	43.88	1.73	60.0
SA120838-U	B	12	7~13.2	3	36.00	11000	135.25	229.7	53.09	2.09	62.0
SA120838-S	B	12	7~13.2	4	48.00	12000	147.55	250.5	63.19	2.49	64.0
SA240838-L	B	24	14~27.6	0.59	14.16	8000	98.36	167.0	28.08	1.11	55.2
SA240838-M	B	24	14~27.6	0.84	20.16	9000	110.66	187.9	35.54	1.40	57.7
SA240838-H	B	24	14~27.6	1.15	27.60	10000	122.96	208.8	43.88	1.73	60.0
SA240838-U	B	24	14~27.6	1.5	36.00	11000	135.25	229.7	53.09	2.09	62.0
SA480838-L	B	48	36~56	0.295	14.16	8000	98.36	167.0	28.08	1.11	55.2
SA480838-M	B	48	36~56	0.42	20.16	9000	110.66	187.9	35.54	1.40	57.7
SA480838-H	B	48	36~56	0.575	27.60	10000	122.96	208.8	43.88	1.73	60.0

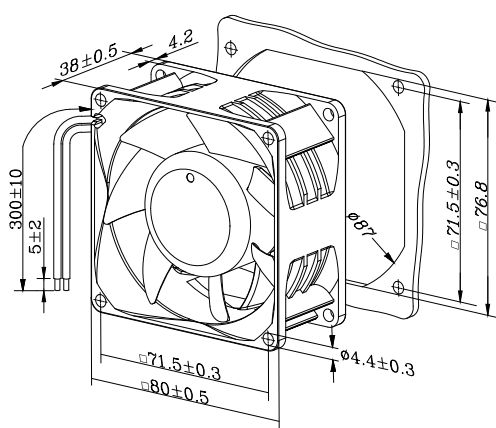
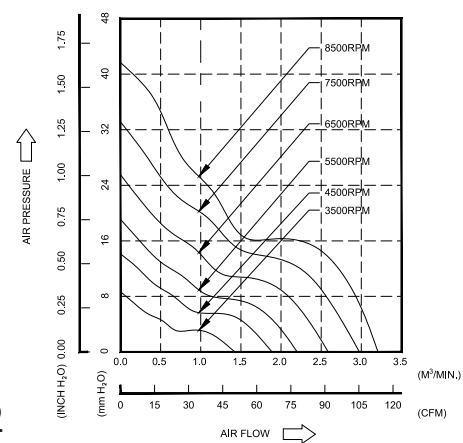


轴流风扇 DC AXIAL FANS
系列 / Series 80 80x80x38mm B

- *材质: 扇叶和扇框为塑胶材质, (等级UL94V-0)
- *Material: Impeller&Frame Plastic(UL94V-0)
- *导线: UL 1007 AWG #26 或同等级
- *Lead Wires: UL 1007 AWG#26 or Equivalent
- *扇叶: 7片
- *Impeller: 7 Blades
- *旋转方向从扇叶面正视时为逆时针方向
- *Rotational direction CCW view from impeller side
- *重量: 160g
- *Mass: 160g



型号 / MODEL	轴承类型	额定电压	电压范围	额定电流	安规电流	额定输入功率	转速	最大流量	最大静压	噪音		
PART NO.	B.S.R	VDC	VDC	Amp	Amp	Watt	RPM	CFM	m ³ /H	mmH2O	IN H2O	dB-A
SB120838-E	B	12	7~13.2	0.15	0.30	1.80	3500	45.5	77.2	7.31	0.29	38.6
SB120838-L	B	12	7~13.2	0.28	0.50	3.36	4500	58.2	98.8	11.42	0.45	46.5
SB120838-M	B	12	7~13.2	0.5	0.70	6.00	5500	71.9	122.1	16.38	0.64	50.0
SB120838-H	B	12	7~13.2	0.81	1.00	9.72	6500	85.1	144.6	21.85	0.86	53.6
SB120838-U	B	12	7~13.2	1.25	1.50	15.00	7500	99.7	169.2	28.92	1.14	55.8
SB120838-S	B	12	7~13.2	1.8	2.00	21.60	8500	113.3	192.4	37.34	1.47	57.9
SB240838-E	B	24	14~27.6	0.07	0.11	1.68	3500	45.5	77.2	7.31	0.29	38.6
SB240838-L	B	24	14~27.6	0.15	0.23	3.60	4500	58.2	98.8	11.42	0.45	46.5
SB240838-M	B	24	14~27.6	0.27	0.40	6.48	5500	71.9	122.1	16.38	0.64	50.0
SB240838-H	B	24	14~27.6	0.45	0.68	10.80	6500	85.1	144.6	21.85	0.86	53.6
SB240838-U	B	24	14~27.6	0.68	1.00	16.32	7500	99.7	169.2	28.92	1.14	55.8
SB240838-S	B	24	14~27.6	0.99	1.35	23.76	8500	113.3	192.4	37.34	1.47	57.9
SB480838-E	B	48	36~56	0.04	0.06	1.92	3500	45.5	77.2	7.31	0.29	38.6
SB480838-L	B	48	36~56	0.08	0.12	3.84	4500	58.2	98.8	11.42	0.45	46.5
SB480838-M	B	48	36~56	0.15	0.23	7.20	5500	71.9	122.1	16.38	0.64	50.0
SB480838-H	B	48	36~56	0.23	0.35	11.04	6500	85.1	144.6	21.85	0.86	53.6
SB480838-U	B	48	36~56	0.35	0.53	16.80	7500	99.7	169.2	28.92	1.14	55.8
SB480838-S	B	48	36~56	0.5	0.75	24.00	8500	113.3	192.4	37.34	1.47	57.9

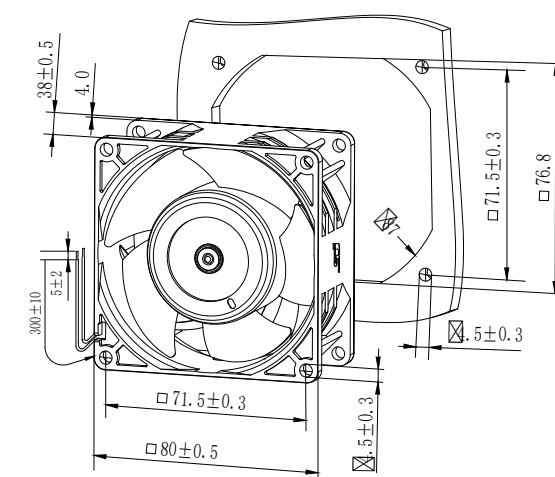
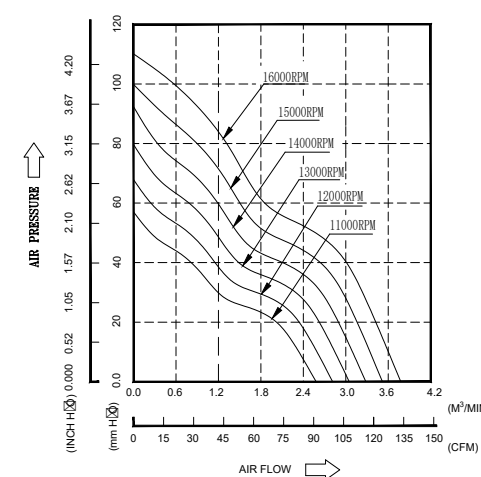


轴流风扇 DC AXIAL FANS
系列 / Series 80 80x80x38mm D

- *材质: 扇叶和扇框为塑胶材质, (等级UL94V-0)
- *Material: Impeller&Frame Plastic(UL94V-0)
- *导线: UL 1007 AWG #24 或同等级
- *Lead Wires: UL 1007 AWG#24 or Equivalent
- *扇叶: 5片
- *Impeller: 5 Blades
- *旋转方向从扇叶面正视时为逆时针方向
- *Rotational direction CCW view from impeller side
- *重量: 215g
- *Mass: 215g



型号 / MODEL	轴承类型	额定电压	电压范围	额定电流	额定输入功率	转速	最大流量	最大静压	噪音		
PART NO.	B.S.R	VDC	VDC	Amp	Watt	RPM	CFM	m ³ /H	mmH2O	IN H2O	dB-A
SD120838-L	B	12	7~13.2	1.14	13.63	11000	91.22	154.89	56.92	2.24	60.30
SD120838-M	B	12	7~13.2	1.40	16.77	12000	99.51	168.97	67.74	2.67	61.80
SD120838-H	B	12	7~13.2	1.72	20.62	13000	107.81	183.06	79.50	3.13	63.30
SD120838-U	B	12	7~13.2	2.11	25.37	14000	116.10	197.14	92.20	3.63	66.10
SD120838-S	B	12	7~13.2	2.60	31.20	15000	125.21	212.60	99.66	3.92	68.00
SD120838-F	B	12	7~13.2	3.10	37.20	16000	133.56	226.92	109.90	4.33	70.00
SD240838-L	B	24	14~27.6	0.57	13.63	11000	91.22	154.89	56.92	2.24	60.30
SD240838-M	B	24	14~27.6	0.70	16.77	12000	99.51	168.97	67.74	2.67	61.80
SD240838-H	B	24	14~27.6	0.86	20.62	13000	107.81	183.06	79.50	3.13	63.30
SD240838-U	B	24	14~27.6	1.06	25.37	14000	116.10	197.14	92.20	3.63	66.10
SD240838-S	B	24	14~27.6	1.30	31.20	15000	125.21	212.60	99.66	3.92	68.00
SD240838-F	B	24	14~27.6	1.55	37.20	16000	133.56	226.92	109.90	4.33	69.40
SD480838-L	B	48	36~56	0.28	13.63	11000	91.22	154.89	56.92	2.24	60.30
SD480838-M	B	48	36~56	0.35	16.77	12000	99.51	168.97	67.74	2.67	61.80
SD480838-H	B	48	36~56	0.43	20.62	13000	107.81	183.06	79.50	3.13	63.30
SD480838-U	B	48	36~56	0.53	25.37	14000	116.10	197.14	92.20	3.63	66.10



轴流风扇 DC AXIAL FANS
系列 / Series 80 80x80x56mm A

- *材质: 扇叶和扇框为塑胶材质, (等级UL94V-0)
- *Material: Impeller&Frame Plastic(UL94V-0)
- *导线: UL 10368 AWG #24 或同等等级
- *Lead Wires: UL 10368 AWG#24 or Equivalent
- *扇叶: 5片/4片
- *Impeller: 5 Blades/4 Blades
- *旋转方向从扇叶面正视时为逆时针方向
- *Rotational direction CCW view from impeller side
- *重量: 310g
- *Mass: 310g



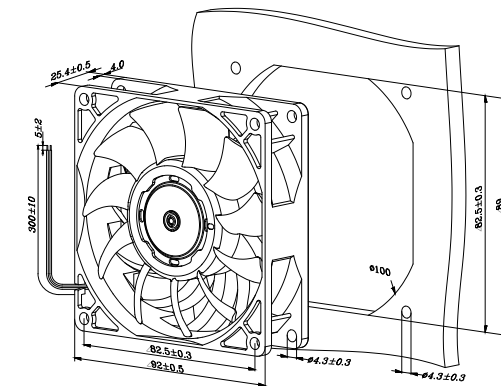
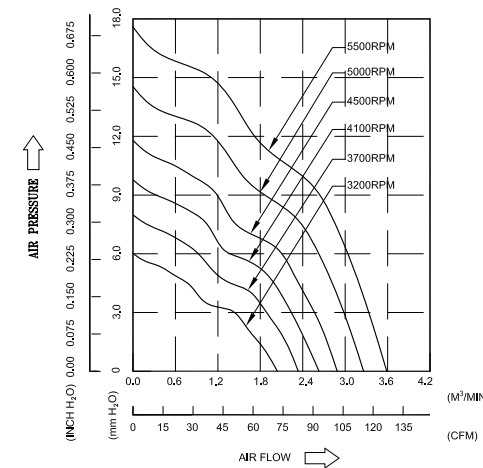
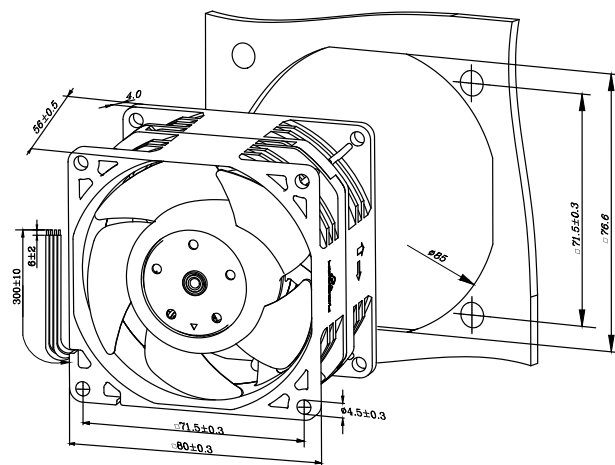
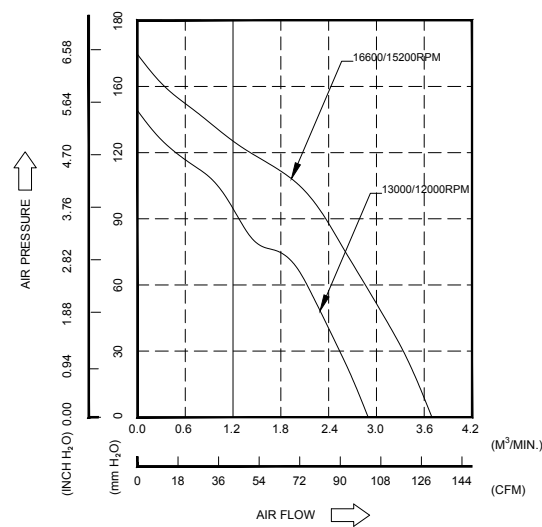
轴流风扇 DC AXIAL FANS
系列 / Series 90 92x92x25mm A

- *材质: 扇叶和扇框为塑胶材质, (等级UL94V-0)
- *Material: Impeller&Frame Plastic(UL94V-0)
- *导线: UL 1007 AWG #24或同等等级
- *Lead Wires: UL 1007 AWG#24 or Equivalent
- *扇叶: 11片
- *Impeller: 11 Blades
- *旋转方向从扇叶面正视时为逆时针方向
- *Rotational direction CCW view from impeller side
- *重量: 130g
- *Mass: 130g



型号 / MODEL	轴承类型	额定电压	电压范围	额定电流	额定输入功率	转速	最大流量		最大静压		噪音
PART NO.	B.S.R	VDC	VDC	Amp	Watt	RPM	CFM	m ³ /H	mmH2O	IN H2O	dB-A
SA120856-S	B	12	7~13.2	2.40	28.80	13000/12000	102.4	173.9	139.1	5.48	74.3
SA120856-F	B	12	7~13.2	4.40	52.80	16600/15200	130.7	221.9	164.6	6.48	81.2

型号 / MODEL	轴承类型	额定电压	电压范围	额定电流	额定输入功率	转速	最大流量		最大静压		噪音
PART NO.	B.S.R	VDC	VDC	Amp	Watt	RPM	CFM	m ³ /H	mmH2O	IN H2O	dB-A
SA120925-L	B	12	7~13.2	0.34	4.08	3200	75.4	128.03	6.57	0.26	43.8
SA120925-M	B	12	7~13.2	0.51	6.12	3700	85.1	144.50	8.49	0.33	47.7
SA120925-H	B	12	7~13.2	0.73	8.76	4100	94.9	161.14	10.17	0.40	50.2
SA120925-U	B	12	7~13.2	0.9	10.80	4500	103.1	175.06	12.02	0.47	52.0
SA120925-S	B	12	7~13.2	1.1	13.20	5000	112.42	190.89	14.29	0.56	54.0
SA120925-F	B	12	7~13.2	1.43	17.16	5500	125.36	212.86	17.92	0.71	57.0
SA240925-L	B	24	14~27.6	0.18	4.32	3200	75.4	128.03	6.57	0.26	43.8
SA240925-M	B	24	14~27.6	0.26	6.24	3700	85.1	144.50	8.49	0.33	47.7
SA240925-H	B	24	14~27.6	0.36	8.64	4100	94.9	161.14	10.17	0.40	50.2
SA240925-U	B	24	14~27.6	0.46	11.04	4500	103.1	175.06	12.02	0.47	52.0
SA240925-S	B	24	14~27.6	0.53	12.72	5000	112.42	190.89	14.29	0.56	54.0
SA240925-F	B	24	14~27.6	0.7	16.80	5500	125.36	212.86	17.92	0.71	57.0
SA480925-L	B	48	36~56	0.1	4.80	3200	75.4	128.03	6.57	0.26	43.8
SA480925-M	B	48	36~56	0.17	8.16	3700	85.1	144.50	8.49	0.33	47.7
SA480925-H	B	48	36~56	0.19	9.12	4100	94.9	161.14	10.17	0.40	50.2
SA480925-U	B	48	36~56	0.23	11.04	4500	103.1	175.06	12.02	0.47	52.0
SA480925-S	B	48	36~56	0.28	13.44	5000	112.42	190.89	14.29	0.56	54.0
SA480925-F	B	48	36~56	0.37	17.76	5500	125.36	212.86	17.92	0.71	57.0



轴流风扇 DC AXIAL FANS
系列 / Series 90 92x92x25mm D

- *材质: 扇叶和扇框为塑胶材质, (等级UL94V-0)
- *Material: Impeller&Frame Plastic(UL94V-0)
- *导线: UL 1007 AWG #24或同等级
- *Lead Wires: UL 1007 AWG#24 or Equivalent
- *扇叶: 7片
- *Impeller: 7 Blades
- *旋转方向从扇叶面正视时为逆时针方向
- *Rotational direction CCW view from impeller side
- *重量: 129g
- *Mass: 129g



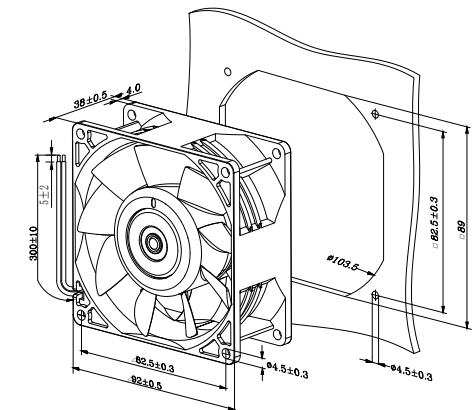
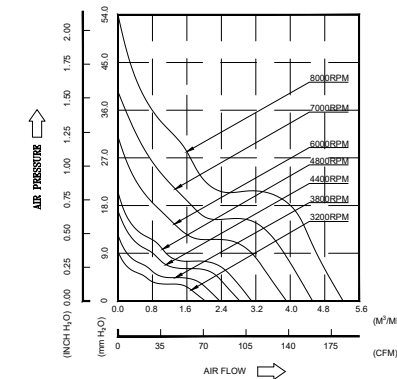
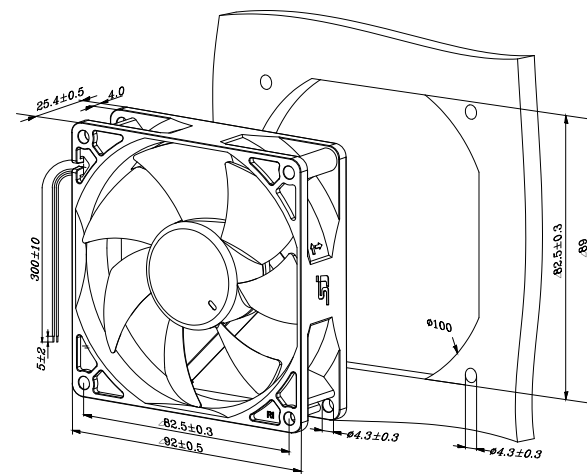
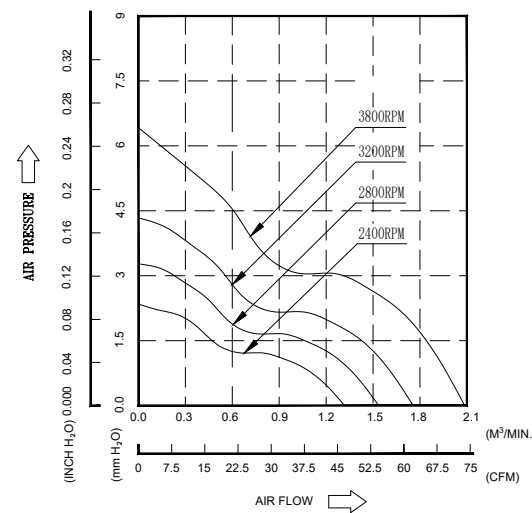
轴流风扇 DC AXIAL FANS
系列 / Series 92 92x92x38mm A

- *材质: 扇叶和扇框为塑胶材质, (等级UL94V-0)
- *Material: Impeller&Frame Plastic(UL94V-0)
- *导线: UL 1007 AWG #24 或同等级
- *Lead Wires: UL 1007 AWG#24 or Equivalent
- *扇叶: 9片
- *Impeller: 9 Blades
- *旋转方向从扇叶面正视时为逆时针方向
- *Rotational direction CCW view from impeller side
- *重量: 230g
- *Mass: 230g



型号 / MODEL	轴承类型	额定电压	电压范围	额定电流	额定输入功率	转速	最大流量		最大静压		噪音
PART NO.	B.S.R	VDC	VDC	Amp	Watt	RPM	CFM	m ³ /H	mmH2O	IN H2O	dB-A
SD120925-L	B	12	7~13.2	0.08	0.96	2400	46.59	79.1	2.34	0.09	32.0
SD120925-M	B	12	7~13.2	0.12	1.44	2800	54.35	92.3	3.27	0.13	35.5
SD120925-H	B	12	7~13.2	0.16	1.92	3200	62.00	105.3	4.33	0.17	39.0
SD120925-U	B	12	7~13.2	0.24	2.88	3800	73.77	125.3	6.41	0.25	43.0
SD240925-L	B	24	14~27.6	0.05	1.20	2400	46.59	79.1	2.34	0.09	32.0
SD240925-M	B	24	14~27.6	0.07	1.68	2800	54.35	92.3	3.27	0.13	35.5
SD240925-H	B	24	14~27.6	0.1	2.40	3200	62.00	105.3	4.33	0.17	39.0
SD240925-U	B	24	14~27.6	0.16	3.84	3800	73.77	125.3	6.41	0.25	43.0
SD480925-L	B	48	36~56	0.04	1.92	2400	46.59	79.1	2.34	0.09	32.0
SD480925-M	B	48	36~56	0.06	2.88	2800	54.35	92.3	3.27	0.13	35.5
SD480925-H	B	48	36~56	0.08	3.84	3200	62.00	105.3	4.33	0.17	39.0
SD480925-U	B	48	36~56	0.14	6.72	3800	73.77	125.3	6.41	0.25	43.0

型号 / MODEL	轴承类型	额定电压	电压范围	额定电流	额定输入功率	转速	最大流量		最大静压		噪音
PART NO.	B.S.R	VDC	VDC	Amp	Watt	RPM	CFM	m ³ /H	mmH2O	IN H2O	dB-A
SA120938-X	B	12	7~13.8	0.32	3.84	3200	71.5	121.4	9.28	0.37	43.3
SA120938-E	B	12	7~13.8	0.47	5.64	3800	83.5	141.8	12.43	0.49	47.7
SA120938-L	B	12	7~13.8	0.67	8.04	4400	99.8	169.5	16.99	0.67	51
SA120938-M	B	12	7~13.8	0.82	9.84	4800	109.6	186.0	20.54	0.81	54.6
SA120938-H	B	12	7~13.8	1.5	18	6000	138.2	234.7	30.98	1.22	59.4
SA120938-U	B	12	7~13.8	2.3	27.6	7000	159.6	271.0	39.50	1.56	63.3
SA120938-S	B	12	7~13.8	3.6	43.2	8000	184.7	313.6	54.00	2.13	65.4
SA240938-X	B	24	14~27.6	0.16	3.84	3200	71.5	121.4	9.28	0.37	43.3
SA240938-E	B	24	14~27.6	0.23	5.52	3800	83.5	141.8	12.43	0.49	47.7
SA240938-L	B	24	14~27.6	0.34	8.16	4400	99.8	169.5	16.99	0.67	51
SA240938-M	B	24	14~27.6	0.42	10.08	4800	109.6	186.0	20.54	0.81	54.6
SA240938-H	B	24	14~27.6	0.76	18.24	6000	138.2	234.7	30.98	1.22	59.4
SA240938-U	B	24	14~27.6	1.2	28.8	7000	159.6	271.0	39.50	1.56	63.3
SA240938-S	B	24	14~27.6	1.8	33.6	8000	184.7	313.6	54.00	2.13	65.4
SA480938-X	B	48	36~56	0.1	4.8	3200	71.5	121.4	9.28	0.37	43.3
SA480938-E	B	48	36~56	0.13	6.24	3800	83.5	141.8	12.43	0.49	47.7
SA480938-L	B	48	36~56	0.16	7.68	4400	99.8	169.5	16.99	0.67	51
SA480938-M	B	48	36~56	0.21	10.08	4800	109.6	186.0	20.54	0.81	54.6
SA480938-H	B	48	36~56	0.4	19.2	6000	138.2	234.7	30.98	1.22	59.4
SA480938-U	B	48	36~56	0.58	27.84	7000	159.6	271.0	39.50	1.56	63.3



轴流风扇 DC Blower FANS
系列 / Series 90 97x94x33mm A

- *材质: 扇叶和扇框为塑胶材质, (等级UL94V-0)
- *Material: Impeller&Frame Plastic(UL94V-0)
- *导线: UL 1007 AWG #24或同等级
- *Lead Wires: UL 1007 AWG#24 or Equivalent
- *扇叶: 43片
- *Impeller: 43 Blades
- *旋转方向从扇叶面正视时为逆时针方向
- *Rotational direction CCW view from impeller side
- *重量: 190g
- *Mass: 190g



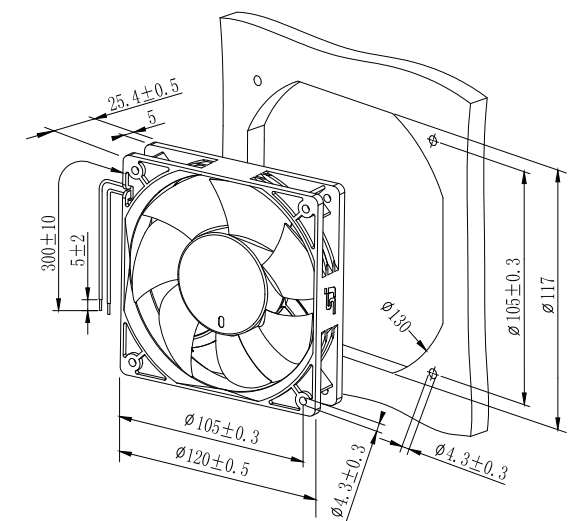
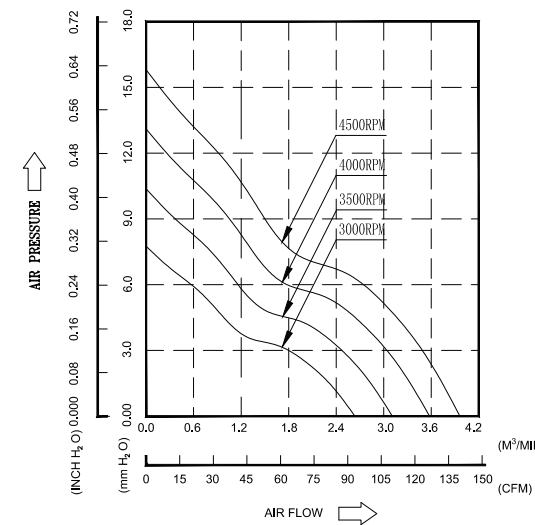
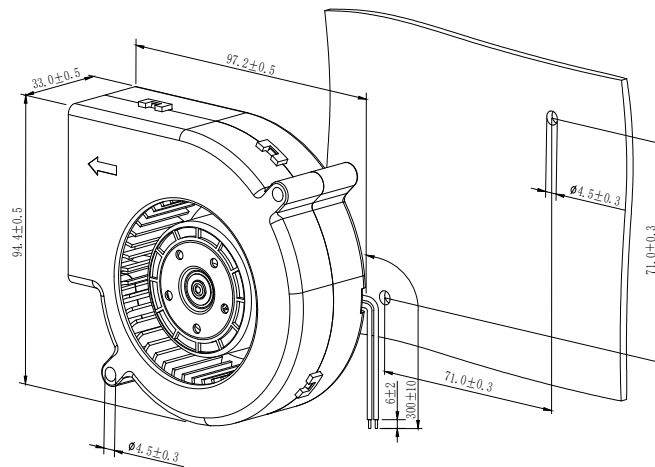
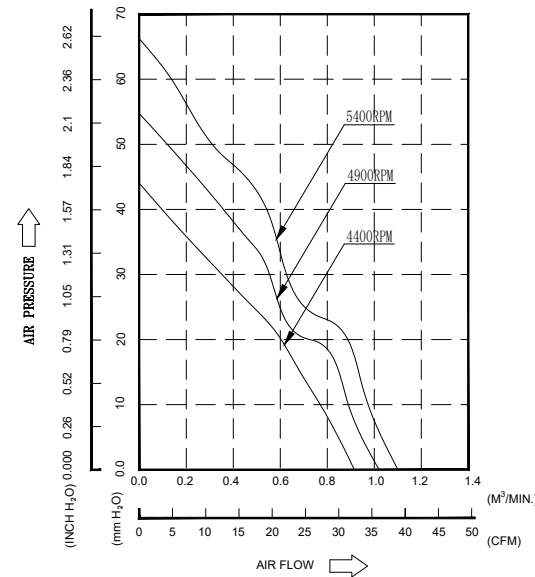
轴流风扇 DC AXIAL FANS
系列 / Series 120 120x120x25mm C

- *材质: 扇叶和扇框为塑胶材质, (等级UL94V-0)
- *Material: Impeller&Frame Plastic(UL94V-0)
- *导线: UL 1007 AWG #24 或同等级
- *Lead Wires: UL 1007 AWG#24 or Equivalent
- *扇叶: 7片
- *Impeller: 7 Blades
- *旋转方向从扇叶面正视时为逆时针方向
- *Rotational direction CCW view from impeller side
- *重量: 190g
- *Mass: 190g



型号 /MODEL	轴承类型	额定电压	电压范围	额定电流	额定输入功率	转速	最大流量		最大静压		噪音
PART NO.	B.S.R	VDC	VDC	Amp	Watt	RPM	CFM	m ³ /H	mmH2O	IN H2O	dB-A
BA120933-L	B	12	7~13.2	0.96	11.52	4400	32.4	54.9	44.04	1.73	56.9
BA120933-M	B	12	7~13.2	1.3	15.60	4900	36.1	61.3	54.76	2.16	59.2
BA120933-H	B	12	7~13.2	1.54	18.48	5400	38.9	66.0	66.24	2.61	61.6

型号 /MODEL	轴承类型	额定电压	电压范围	额定电流	额定输入功率	转速	最大流量		最大静压		噪音
PART NO.	B.S.R	VDC	VDC	Amp	Watt	RPM	CFM	m ³ /H	mmH2O	IN H2O	dB-A
SC121225-L	B	12	7~13.2	0.30	3.60	3000	93.3	158.4	7.76	0.31	42
SC121225-M	B	12	7~13.2	0.45	5.40	3500	110.0	186.8	10.38	0.41	46
SC121225-H	B	12	7~13.2	0.59	7.08	4000	126.6	215.0	13.11	0.52	50.5
SC121225-U	B	12	7~13.2	0.84	10.08	4500	140.1	238.0	15.81	0.62	52
SC241225-L	B	24	14~27.6	0.14	3.36	3000	93.3	158.4	7.76	0.31	42
SC241225-M	B	24	14~27.6	0.25	4.80	3500	110.0	186.8	10.38	0.41	46
SC241225-H	B	24	14~27.6	0.33	7.92	4000	126.6	215.0	13.11	0.52	50.5
SC241225-U	B	24	14~27.6	0.40	9.60	4500	140.1	238.0	15.81	0.62	52
SC481225-L	B	48	36~56	0.07	3.36	3000	93.3	158.4	7.76	0.31	42
SC481225-M	B	48	36~56	0.10	4.80	3500	110.0	186.8	10.38	0.41	46
SC481225-H	B	48	36~56	0.14	6.72	4000	126.6	215.0	13.11	0.52	50.5
SC481225-U	B	48	36~56	0.19	9.12	4500	140.1	238.0	15.81	0.62	52



轴流风扇 DC AXIAL FANS
系列 / Series 120 120x120x25mm D

- *材质: 扇叶和扇框为塑胶材质, (等级UL94V-0)
- *Material: Impeller&Frame Plastic(UL94V-0)
- *导线: UL 1061 AWG #24或同等级
- *Lead Wires: UL 1061 AWG#24 or Equivalent
- *扇叶: 9片
- *Impeller: 9 Blades
- *旋转方向从扇叶面正视时为逆时针方向
- *Rotational direction CCW view from impeller side
- *重量: 130g
- *Mass: 130g



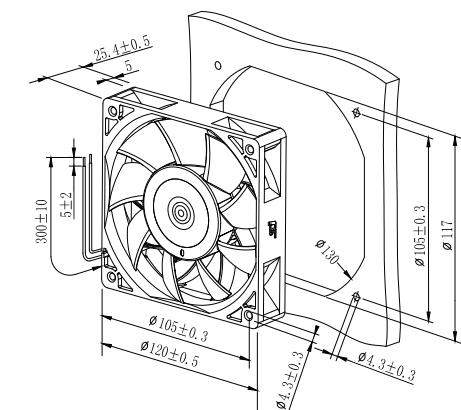
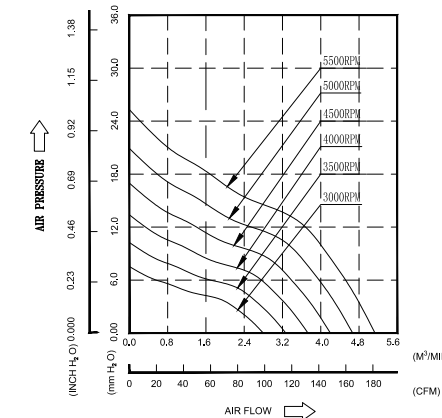
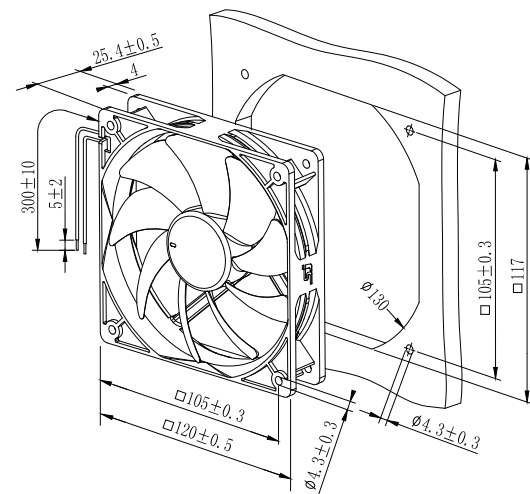
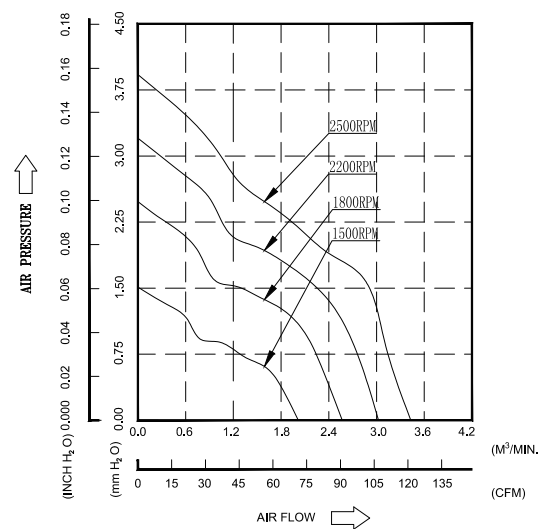
轴流风扇 DC AXIAL FANS
系列 / Series 120 120x120x25mm E

- *材质: 扇叶和扇框为塑胶材质, (等级UL94V-0)
- *Material: Impeller&Frame Plastic(UL94V-0)
- *导线: UL 1007 AWG #24 或同等级
- *Lead Wires: UL 1007 AWG#24 or Equivalent
- *扇叶: 9片
- *Impeller: 9 Blades
- *旋转方向从扇叶面正视时为逆时针方向
- *Rotational direction CCW view from impeller side
- *重量: 260g
- *Mass: 260g



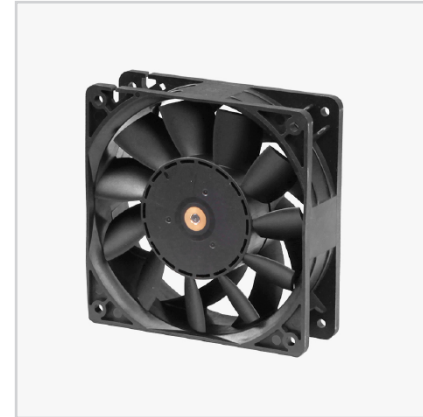
型号 /MODEL	轴承类型	额定电压	电压范围	额定电流	额定输入功率	转速	最大流量		最大静压		噪音
PART NO.	B.S.R	VDC	VDC	Amp	Watt	RPM	CFM	m ³ /H	mmH2O	IN H2O	dB-A
SD121225-E	B	12	7~13.2	0.12	1.44	1500	71.2	120.9	1.5	0.06	29.5
SD121225-L	B	12	7~13.2	0.21	2.52	1800	90.1	153.0	2.4	0.09	33.5
SD121225-M	B	12	7~13.2	0.34	4.08	2200	106.5	180.8	3.2	0.13	38.5
SD121225-H	B	12	7~13.2	0.49	5.88	2500	121.3	206.0	3.9	0.15	41.5
SD241225-E	B	24	14~27.6	0.08	1.92	1500	71.2	120.9	1.5	0.06	29.5
SD241225-L	B	24	14~27.6	0.11	2.64	1800	90.1	153.0	2.4	0.09	33.5
SD241225-M	B	24	14~27.6	0.17	4.08	2200	106.5	180.8	3.2	0.13	38.5
SD241225-H	B	24	14~27.6	0.28	6.72	2500	121.3	206.0	3.9	0.15	41.5
SD481225-E	B	48	36~56	0.05	2.4	1500	71.2	120.9	1.5	0.06	29.5
SD481225-L	B	48	36~56	0.08	3.84	1800	90.1	153.0	2.4	0.09	33.5
SD481225-M	B	48	36~56	0.1	4.8	2200	106.5	180.8	3.2	0.13	38.5
SD481225-H	B	48	36~56	0.18	8.64	2500	121.3	206.0	3.9	0.15	41.5

型号 /MODEL	轴承类型	额定电压	电压范围	额定电流	额定输入功率	转速	最大流量		最大静压		噪音
PART NO.	B.S.R	VDC	VDC	Amp	Watt	RPM	CFM	m ³ /H	mmH2O	IN H2O	dB-A
SE121225-L	B	12	7~13.2	0.42	5.04	3000	99.0	168.1	7.54	0.30	45
SE121225-M	B	12	7~13.2	0.57	6.84	3500	115.7	196.5	10.26	0.40	49
SE121225-H	B	12	7~13.2	0.75	9.00	4000	132.1	224.3	13.4	0.53	53
SE121225-U	B	12	7~13.2	1.04	12.48	4500	148.6	252.3	17	0.67	55
SE121225-S	B	12	7~13.2	1.38	16.56	5000	165.1	280.3	20.9	0.82	57
SE121225-F	B	12	7~13.2	1.7	20.4	5500	181.6	308.4	25.4	1.00	59
SE241225-L	B	24	14~27.6	0.28	6.72	3000	99.0	168.1	7.54	0.30	45
SE241225-M	B	24	14~27.6	0.38	9.12	3500	115.7	196.5	10.26	0.40	49
SE241225-H	B	24	14~27.6	0.47	11.28	4000	132.1	224.3	13.4	0.53	53
SE241225-U	B	24	14~27.6	0.59	14.16	4500	148.6	252.3	17	0.67	55
SE241225-S	B	24	14~27.6	0.73	17.52	5000	165.1	280.3	20.9	0.82	57
SE241225-F	B	24	14~27.6	0.9	21.6	5500	181.6	308.4	25.4	1.00	59
SE481225-L	B	48	36~56	0.17	8.16	3000	99.0	168.1	7.54	0.30	45
SE481225-M	B	48	36~56	0.22	10.56	3500	115.7	196.5	10.26	0.40	49
SE481225-H	B	48	36~56	0.27	12.96	4000	132.1	224.3	13.4	0.53	53
SE481225-U	B	48	36~56	0.32	15.36	4500	148.6	252.3	17	0.67	55
SE481225-S	B	48	36~56	0.4	19.2	5000	165.1	280.3	20.9	0.82	57
SE481225-F	B	48	36~56	0.47	22.56	5500	181.6	308.4	25.4	1.00	59

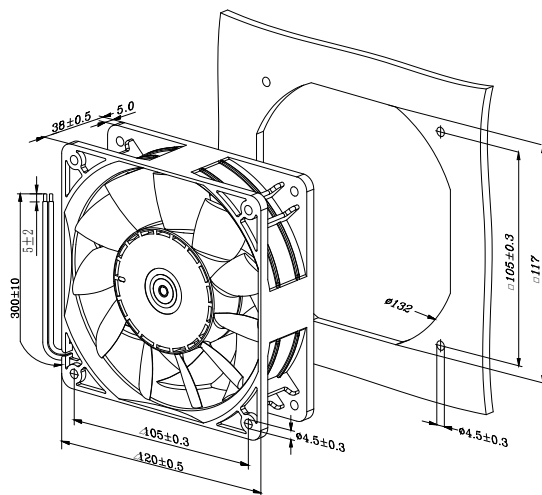
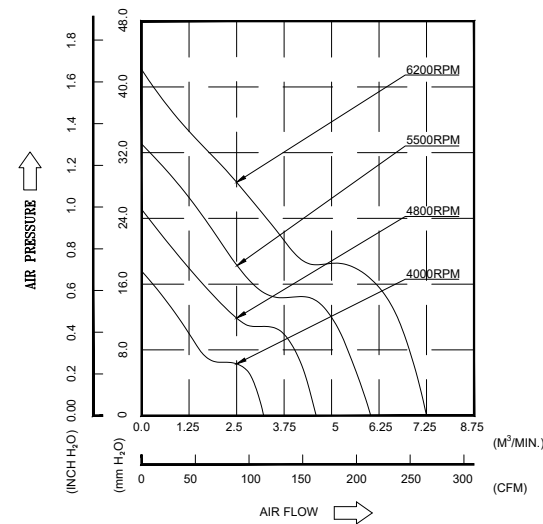


轴流风扇 DC AXIAL FANS
系列 / Series 120 120x120x38mm E

- *材质: 扇叶和扇框为塑胶材质, (等级UL94V-0)
- *Material: Impeller&Frame Plastic(UL94V-0)
- *导线: UL 1007 AWG #24或同等级
- *Lead Wires: UL 1007 AWG#24 or Equivalent
- *扇叶: 11片
- *Impeller: 11 Blades
- *旋转方向从扇叶面正视时为逆时针方向
- *Rotational direction CCW view from impeller side
- *重量: 370g
- *Mass: 370g



型号 / MODEL	轴承类型	额定电压	电压范围	额定电流	额定输入功率	转速	最大流量		最大静压		噪音
PART NO.	B.S.R	VDC	VDC	Amp	Watt	RPM	CFM	m ³ /H	mmH2O	IN H2O	dB-A
SE121238-M	B	12	7~13.8	1.56	18.72	4000	172.0	292.0	17.4	0.69	58.9
SE121238-H	B	12	7~13.8	2.68	32.16	4800	206.4	350.4	25.06	0.99	62.9
SE121238-U	B	12	7~13.8	4	48.00	5500	236.5	401.5	32.89	1.29	65.8
SE241238-M	B	24	14~27.6	0.78	18.72	4000	172.0	292.0	17.4	0.69	58.9
SE241238-H	B	24	14~27.6	1.34	32.16	4800	206.4	350.4	25.06	0.99	62.9
SE241238-U	B	24	14~27.6	2	48.00	5500	236.5	401.5	32.89	1.29	65.8
SE241238-S	B	24	14~27.6	2.9	69.60	6200	266.6	452.7	41.8	1.65	68.5
SE481238-M	B	48	36~56	0.39	18.72	4000	172.0	292.0	17.4	0.69	58.9
SE481238-H	B	48	36~56	0.67	32.16	4800	206.4	350.4	25.06	0.99	62.9
SE481238-U	B	48	36~56	1.01	48.48	5500	236.5	401.5	32.89	1.29	65.8

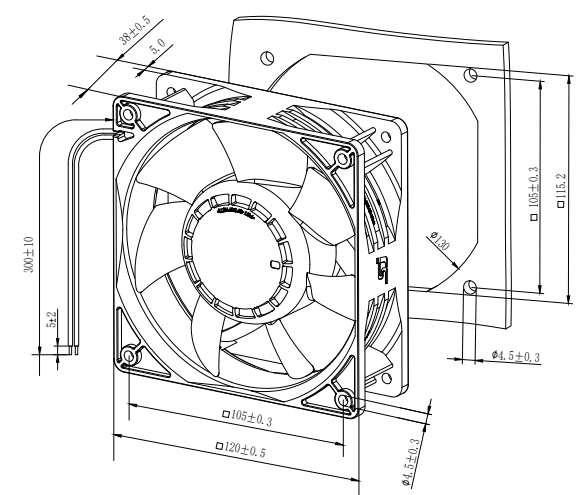
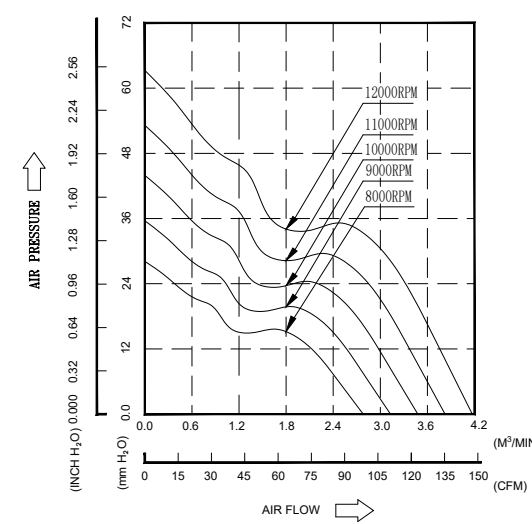


轴流风扇 DC AXIAL FANS
系列 / Series 120 120x120x38mm F

- *材质: 扇叶和扇框为塑胶材质, (等级UL94V-0)
- *Material: Impeller&Frame Plastic(UL94V-0)
- *导线: UL 1007 AWG #24 或同等级
- *Lead Wires: UL 1007 AWG#24 or Equivalent
- *扇叶: 7片
- *Impeller: 7 Blades
- *旋转方向从扇叶面正视时为逆时针方向
- *Rotational direction CCW view from impeller side
- *重量: 300g
- *Mass: 300g



型号 / MODEL	轴承类型	额定电压	电压范围	额定电流	额定输入功率	转速	最大流量		最大静压		噪音
PART NO.	B.S.R	VDC	VDC	Amp	Watt	RPM	CFM	m ³ /H	mmH2O	IN H2O	dB-A
SF121238-E	B	12	7~13.2	0.60	7.20	3100	139.6	237.0	9.47	0.37	50.3
SF121238-L	B	12	7~13.2	0.90	10.80	3600	162.1	275.3	12.77	0.50	53.5
SF121238-H	B	12	7~13.2	1.80	21.60	4300	198.9	337.7	17.95	0.71	59.9
SF241238-E	B	24	14~27.6	0.30	7.20	3100	139.6	237.0	9.47	0.37	50.3
SF241238-L	B	24	14~27.6	0.45	10.80	3600	162.1	275.3	12.77	0.50	53.5
SF241238-H	B	24	14~27.6	0.90	21.60	4300	198.9	337.7	17.95	0.71	59.9
SF481238-E	B	48	36~56	0.15	7.20	3100	139.6	237.0	9.47	0.37	50.3
SF481238-L	B	48	36~56	0.23	11.04	3600	162.1	275.3	12.77	0.50	53.5
SF481238-H	B	48	36~56	0.45	21.60	4300	198.9	337.7	17.95	0.71	59.9



轴流风扇 DC AXIAL FANS
系列 / Series 120 120x120x38mm G

- *材质: 扇叶和扇框为塑胶材质, (等级UL94V-0)
- *Material: Impeller&Frame Plastic(UL94V-0)
- *导线: UL 1007 AWG #24或同等级
- *Lead Wires: UL 1007 AWG#24 or Equivalent
- *扇叶: 7片
- *Impeller: 7 Blades
- *旋转方向从扇叶面正视时为逆时针方向
- *Rotational direction CCW view from impeller side
- *重量: 270g
- *Mass: 270g



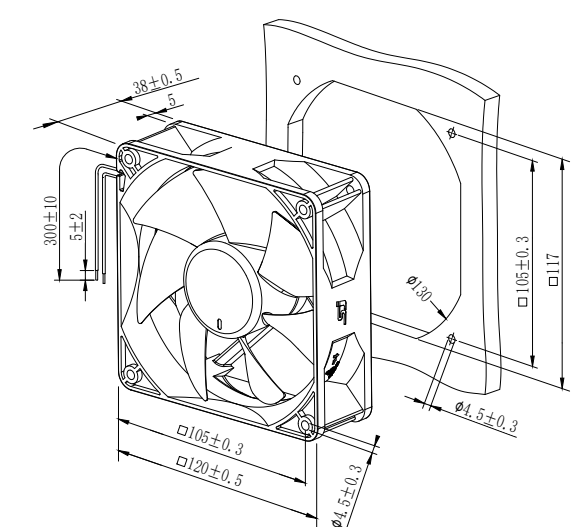
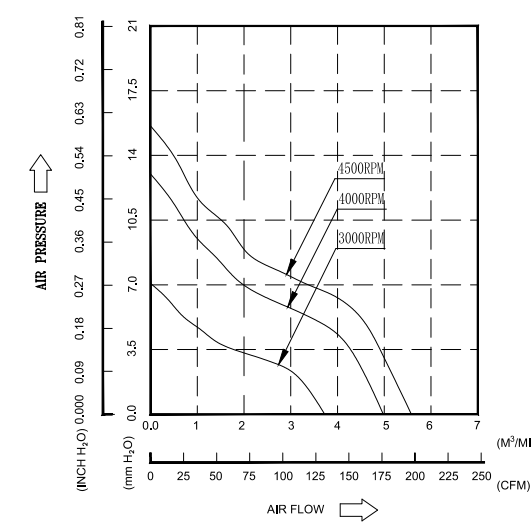
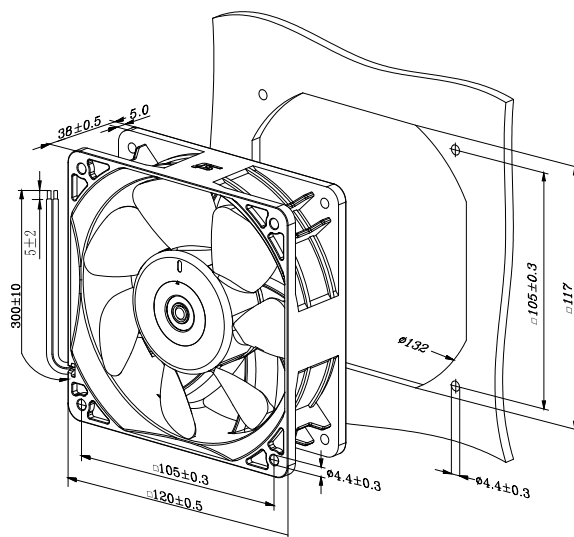
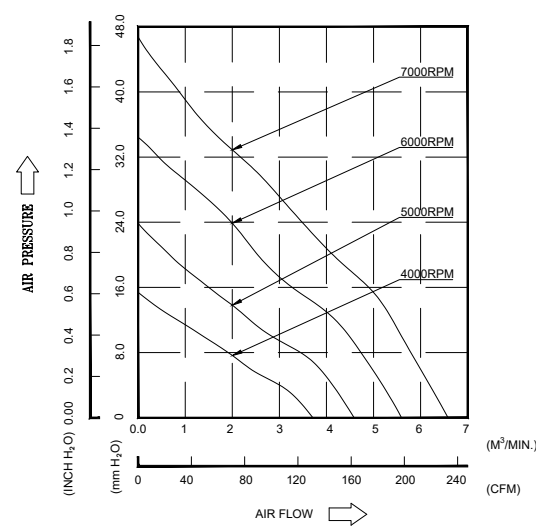
轴流风扇 DC AXIAL FANS
系列 / Series 120 120x120x38mm I

- *材质: 扇叶和扇框为塑胶材质, (等级UL94V-0)
- *Material: Impeller&Frame Plastic(UL94V-0)
- *导线: UL 1007 AWG #24 或同等级
- *Lead Wires: UL 1007 AWG#24 or Equivalent
- *扇叶: 7片
- *Impeller: 7 Blades
- *旋转方向从扇叶面正视时为逆时针方向
- *Rotational direction CCW view from impeller side
- *重量: 250g
- *Mass: 250g



型号 / MODEL	轴承类型	额定电压	电压范围	额定电流	额定输入功率	转速	最大流量		最大静压		噪音
PART NO.	B.S.R	VDC	VDC	Amp	Watt	RPM	CFM	m ³ /H	mmH2O	IN H2O	dB-A
SG121238-H	B	12	7~13.8	0.6	7.2	4000	131.3	222.9	15.1	0.59	55.2
SG121238-U	B	12	7~13.8	1.16	13.92	5000	164.2	278.8	23.6	0.93	60.0
SG121238-S	B	12	7~13.8	2	24	6000	197	334.5	34.00	1.34	64.0
SG241238-H	B	24	14~27.6	0.3	7.2	4000	131.3	222.9	15.1	0.59	55.2
SG241238-U	B	24	14~27.6	0.58	13.92	5000	164.2	278.8	23.6	0.93	60.0
SG241238-S	B	24	14~27.6	1	24	6000	197	334.5	34.00	1.34	64.0
SG481238-H	B	48	36~56	0.15	7.2	4000	131.3	222.9	15.1	0.59	55.2
SG481238-U	B	48	36~56	0.29	13.92	5000	164.2	278.8	23.6	0.93	60.0
SG481238-S	B	48	36~56	0.5	24	6000	197	334.5	34.00	1.34	64.0

型号 / MODEL	轴承类型	额定电压	电压范围	额定电流	额定输入功率	转速	最大流量		最大静压		噪音
PART NO.	B.S.R	VDC	VDC	Amp	Watt	RPM	CFM	m ³ /H	mmH2O	IN H2O	dB-A
SI121238-M	B	12	7~13.2	0.5	6.00	3000	131.5	223.3	7.00	0.28	46.0
SI121238-H	B	12	7~13.2	1	12.00	4000	176	298.8	13.00	0.51	52.0
SI121238-U	B	12	7~13.2	1.4	16.80	4500	197.3	335.0	15.6	0.61	55.0
SI241238-M	B	24	14~27.6	0.25	6.00	3000	131.5	223.3	7.00	0.28	46.0
SI241238-H	B	24	14~27.6	0.5	12.00	4000	176	298.8	13.00	0.51	52.0
SI241238-U	B	24	14~27.6	0.7	16.80	4500	197.3	335.0	15.6	0.61	55.0
SI481238-M	B	48	36~56	0.13	6.24	3000	131.5	223.3	7.00	0.28	46.0
SI481238-H	B	48	36~56	0.25	12.00	4000	176	298.8	13.00	0.51	52.0
SI481238-U	B	48	36~56	0.35	16.80	4500	197.3	335.0	15.6	0.61	55.0



轴流风扇 DC AXIAL FANS
系列 / Series 140 140x140x38mm C

- *材质: 扇叶和扇框为塑胶材质, (等级UL94V-0)
- *Material: Impeller&Frame Plastic(UL94V-0)
- *导线: UL 1007 AWG #22 或同等级
- *Lead Wires: UL 1007 AWG#22 or Equivalent
- *扇叶: 7片
- *Impeller: 7 Blades
- *旋转方向从扇叶面正视时为逆时针方向
- *Rotational direction CCW view from impeller side
- *重量: 470g
- *Mass: 470g



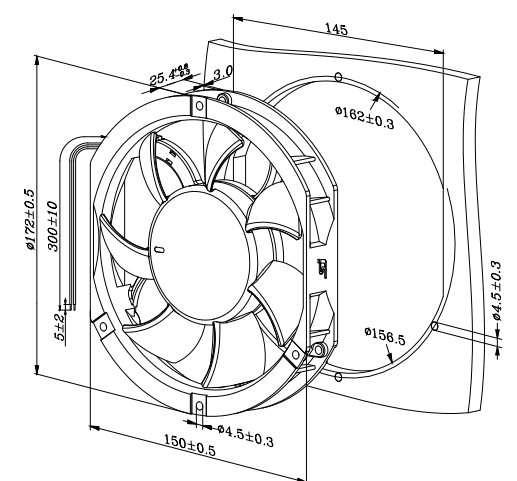
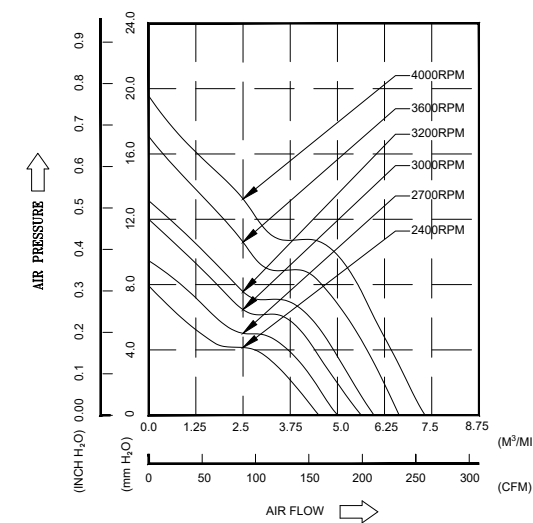
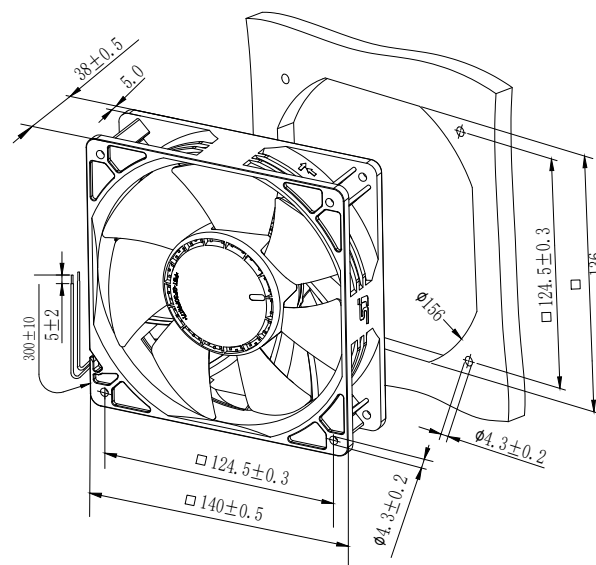
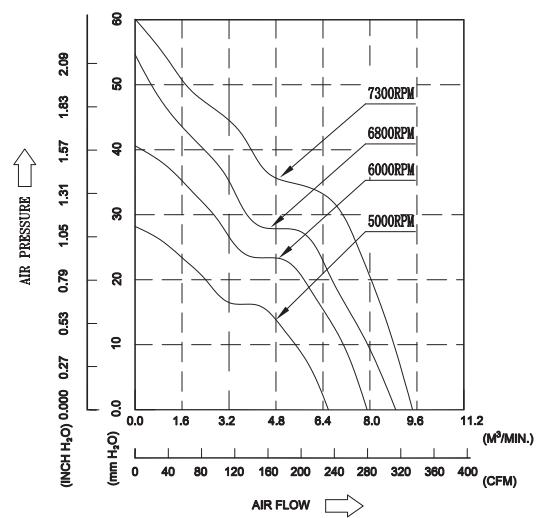
轴流风扇 DC AXIAL FANS
系列 / Series 172x150x25mm A

- *材质: 扇叶和扇框为塑胶材质, (等级UL94V-0)
- *Material: Impeller&Frame Plastic(UL94V-0)
- *导线: UL 1007 AWG #24或同等级
- *Lead Wires: UL 1007 AWG#24 or Equivalent
- *扇叶: 7片
- *Impeller: 7 Blades
- *旋转方向从扇叶面正视时为逆时针方向
- *Rotational direction CCW view from impeller side
- *重量: 308g
- *Mass: 308g



型号 /MODEL	轴承类型	额定电压	电压范围	额定电流	额定输入功率	转速	最大流量		最大静压		噪音
PART NO.	B.S.R	VDC	VDC	Amp	Watt	RPM	CFM	m ³ /H	mmH2O	IN H2O	dB-A
SC121438-L	B	12	7~13.0	2	24.00	5000	235	399.0	30	1.18	63
SC121438-M	B	12	7~13.1	2.8	33.60	6000	280	475.4	40.5	1.59	67
SC121438-H	B	12	7~13.2	4.1	49.20	6800	314.1	533.3	54.6	2.15	70.5
SC121438-U	B	12	7~13.2	4.8	57.60	7300	340.0	577.3	60	2.36	71.0
SC241438-L	B	24	14~27.6	1	24.00	5000	235	399.0	30	1.18	63
SC241438-M	B	24	14~27.6	1.4	33.60	6000	280	475.4	40.5	1.59	67
SC241438-H	B	24	14~27.6	2	48.00	6800	314.1	533.3	54.6	2.15	70.5
SC241438-U	B	24	14~27.6	2.4	57.60	7300	340.0	577.3	60	2.36	71.0
SC481438-L	B	48	36~56	0.5	24.00	5000	235	399.0	30	1.18	63
SC481438-M	B	48	36~56	0.7	33.60	6000	280	475.4	40.5	1.59	67
SC481438-H	B	48	36~56	1.1	52.80	6800	314.1	533.3	54.6	2.15	70.5
SC481438-U	B	48	36~56	1.3	62.40	7300	340.0	577.3	60	2.36	71.0

型号 /MODEL	轴承类型	额定电压	电压范围	额定电流	额定输入功率	转速	最大流量		最大静压		噪音
PART NO.	B.S.R	VDC	VDC	Amp	Watt	RPM	CFM	m ³ /H	mmH2O	IN H2O	dB-A
SA241725-E	B	24	14~27.6	0.28	6.72	2400	162.8	276.4	7.84	0.31	48.0
SA241725-L	B	24	14~27.6	0.4	9.60	2700	182.4	309.7	9.46	0.37	50.0
SA241725-M	B	24	14~27.6	0.55	13.20	3000	204.1	346.6	11.95	0.47	54.0
SA241725-H	B	24	14~27.6	0.7	16.80	3200	214.1	363.5	12.93	0.51	55.0
SA241725-U	B	24	14~27.6	0.95	22.80	3600	245.3	416.5	16	0.63	58.0
SA241725-S	B	24	14~27.6	1.3	31.20	4000	264.2	448.6	19.32	0.76	61.0
SA481725-E	B	48	36~56	0.18	8.64	2400	162.8	276.4	7.84	0.31	48.0
SA481725-L	B	48	36~56	0.23	11.04	2700	182.4	309.7	9.46	0.37	50.0
SA481725-M	B	48	36~56	0.31	14.88	3000	204.1	346.6	11.95	0.47	54.0
SA481725-H	B	48	36~56	0.36	17.28	3200	214.1	363.5	12.93	0.51	55.0
SA481725-U	B	48	36~56	0.59	28.32	3600	245.3	416.5	16	0.63	58.0
SA481725-S	B	48	36~56	0.75	36.00	4000	264.2	448.6	19.32	0.76	61.0



轴流风扇 DC AXIAL FANS
系列 / Series 172 172x150x51mm C

- *材质: 扇叶和扇框为塑胶材质, (等级UL94V-0)
- *Material: Impeller&Frame Plastic(UL94V-0)
- *导线: UL 1007 AWG #22或同等级
- *Lead Wires: UL 1007 AWG#22 or Equivalent
- *扇叶: 7片
- *Impeller: 7 Blades
- *旋转方向从扇叶面正视时为逆时针方向
- *Rotational direction CCW view from impeller side
- *重量: 870g
- *Mass: 870g



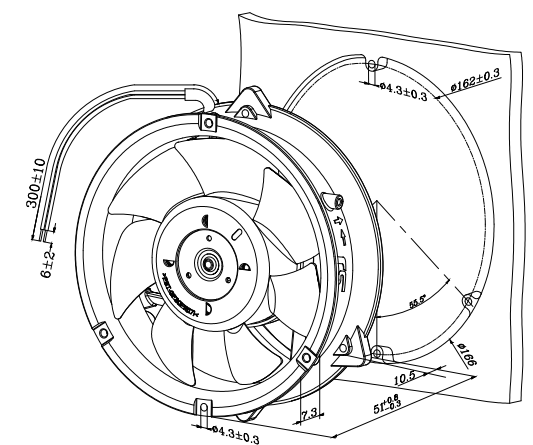
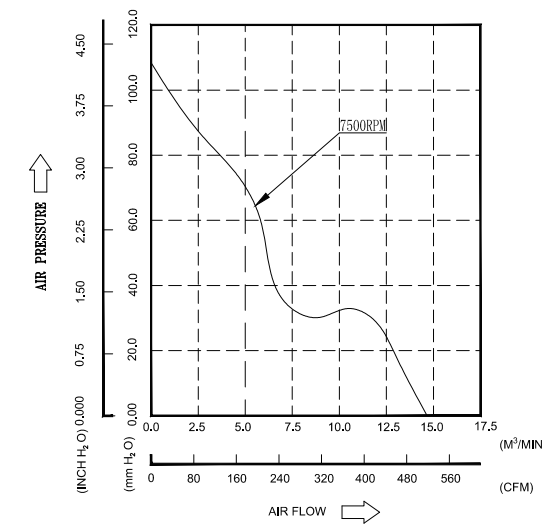
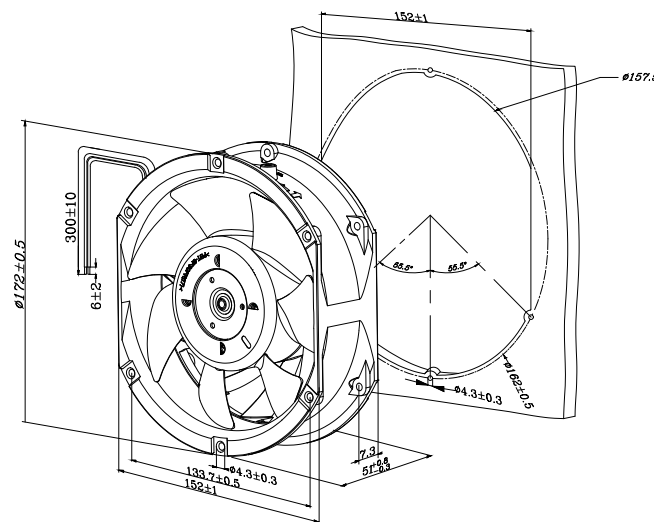
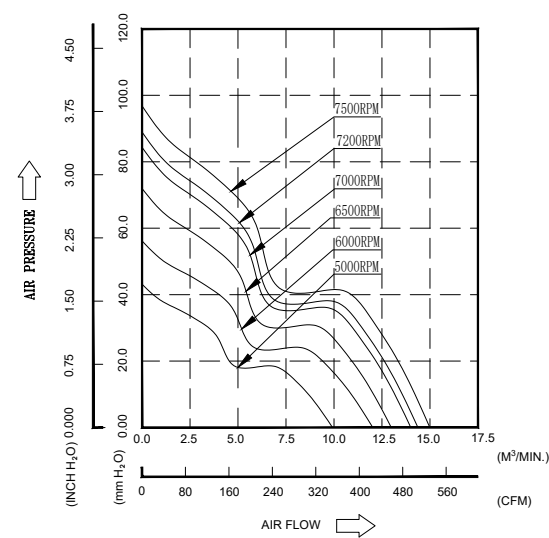
轴流风扇 DC AXIAL FANS
系列 / Series 172 φ172x51mm D

- *材质: 扇叶和扇框为塑胶材质, (等级UL94V-0)
- *Material: Impeller&Frame Plastic(UL94V-0)
- *导线: UL 1007 AWG #22 或同等级
- *Lead Wires: UL 1007 AWG#22 or Equivalent
- *扇叶: 7片
- *Impeller: 7 Blades
- *旋转方向从扇叶面正视时为逆时针方向
- *Rotational direction CCW view from impeller side
- *重量: 875g
- *Mass: 875g



型号 / MODEL	轴承类型	额定电压	电压范围	额定电流	额定输入功率	转速	最大流量		最大静压		噪音
PART NO.	B.S.R	VDC	VDC	Amp	Watt	RPM	CFM	m ³ /H	mmH2O	IN H2O	dB-A
SC481751-M	B	48	36~56	1	48.0	5000	355	602.8	43	1.69	68.0
SC481751-H	B	48	36~56	1.8	86.4	6000	425.0	721.6	56	2.20	73.0
SC481751-U	B	48	36~56	2.3	110.4	6500	459	779.4	72.00	2.83	74.0
SC481751-S	B	48	36~56	2.9	139.2	7000	496	840.5	84.4	3.32	76.0
SC481751-F	B	48	36~56	3	144.0	7200	508	862.6	89	3.50	77.0
SC481751-G	B	48	36~56	3.4	163.2	7500	530.0	899.9	96.9	3.81	78.0

型号 / MODEL	轴承类型	额定电压	电压范围	额定电流	额定输入功率	转速	最大流量		最大静压		噪音
PART NO.	B.S.R	VDC	VDC	Amp	Watt	RPM	CFM	m ³ /H	mmH2O	IN H2O	dB-A
SD481751-S	B	48	36~56	3.6	172.8	7500	517.15	878.1	108.41	4.27	75.3

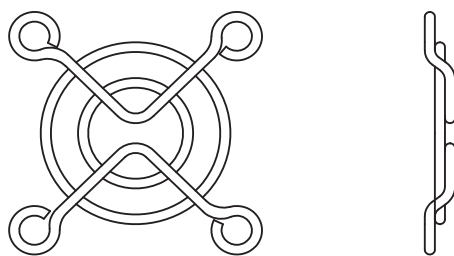


金属防护网

Metal finger guards

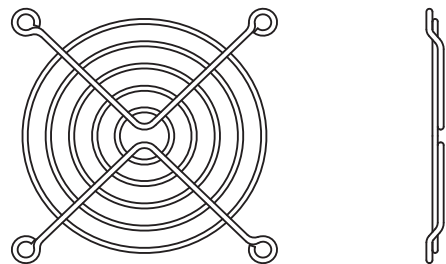
For 40mm FAN

ERP物料号:3B70000031



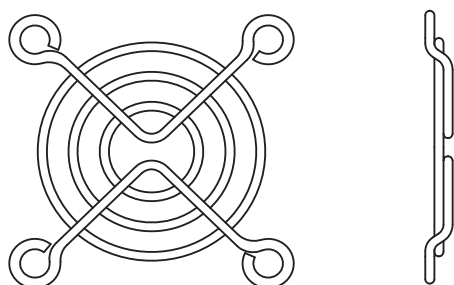
For 70mm FAN

ERP物料号:3B70000034



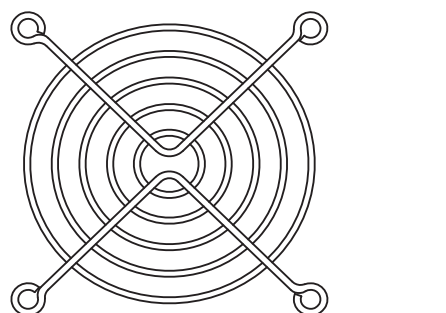
For 50mm FAN

ERP物料号:3B70000017



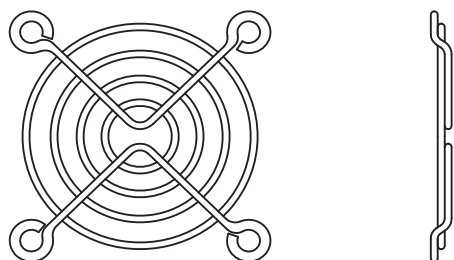
For 80mm FAN

ERP物料号:3B70000028



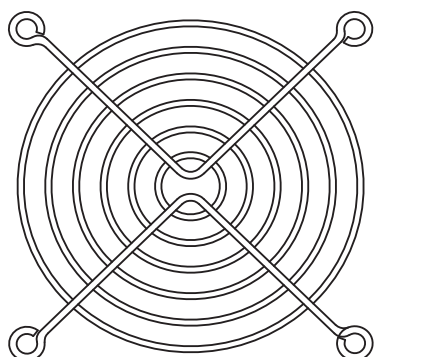
For 60mm FAN

ERP物料号:3B70000018



For 92mm FAN

ERP物料号:3B70000027

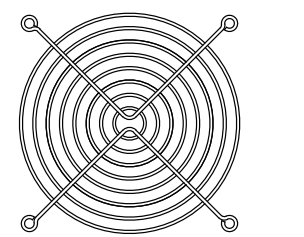


金属防护网

Metal finger guards

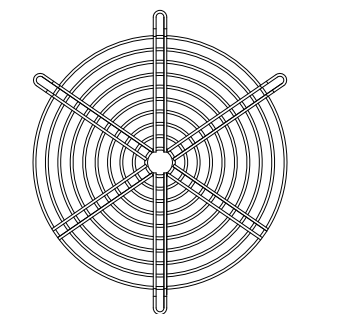
For 120mm FAN

ERP物料号:3B70000002



For 170mm FAN

ERP物料号:3B70000005



DUST GUARD 三合一防尘过滤网

ERP物料号:3B70000037

